

---

**ADDENDUM NO. 5 – TECHNICAL SPECIFICATIONS AND DRAWINGS**

Date: 09/26/23  
P.O. Hoffer Water Treatment Facility and Glenville Lake  
Water Treatment Facility Reliability Improvements  
Project: Contract No. 055  
Owner: Fayetteville Public Works Commission  
Engineer: Hazen and Sawyer

To All Bidders:

Contractors submitting Proposals for the above-named Project shall take note of the following changes, additions, deletions, clarifications, etc., in the Contract Documents, which shall become part of and have precedence over anything contrarily shown or described in the Contract Documents, and all such shall be taken into consideration and be included in the Contractor's Bid Proposal.

All other general items, conditions, drawings, and specifications shall remain the same. Please acknowledge the receipt of Addendum No. 5 with the Bid Form.

Refer to the Attached Sheets.

**The return receipt requested with the communication will be deemed evidence that the bidder has received this Addendum and has followed the instructions outlined herein. Please sign, date, clearly print company name, and email this sheet back to Hazen and Sawyer at [PWCReliability@hazenandsawyer.com](mailto:PWCReliability@hazenandsawyer.com)**

\_\_\_\_\_  
Company Name

\_\_\_\_\_  
Acknowledgement of Receipt

\_\_\_\_\_  
Date



\_\_\_\_\_  
D. Cory Hopkins, PE  
HAZEN AND SAWYER

**P.O. Hoffer Water Treatment Facility and Glenville Lake Water  
Treatment Facility Reliability Improvements Contract No. 55**

**Addendum No. 5**

**SPECIFICATIONS:**

**DRAWINGS:**

E15 (Glenville Lake):

1. Modify drawing as shown in attachment #1.

E903:

1. Modify this drawing as shown in attachment #2.

E909:

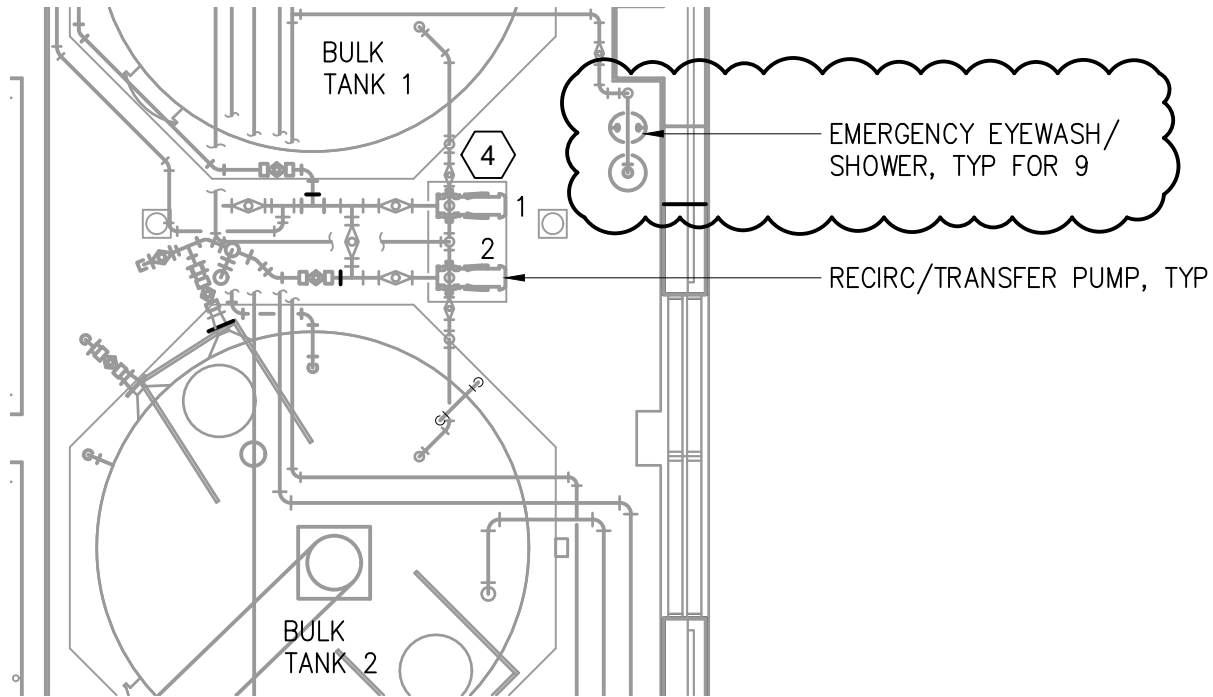
1. Modify this drawing as shown in attachment #3.

**ATTACHMENTS:**

- Attachment #1: Sheet E15 Figure
- Attachment #2: Sheet E903 Figure
- Attachment #3: Sheet E909 Figure

ATTACHMENT #1 - SHEET E15 FIGURE

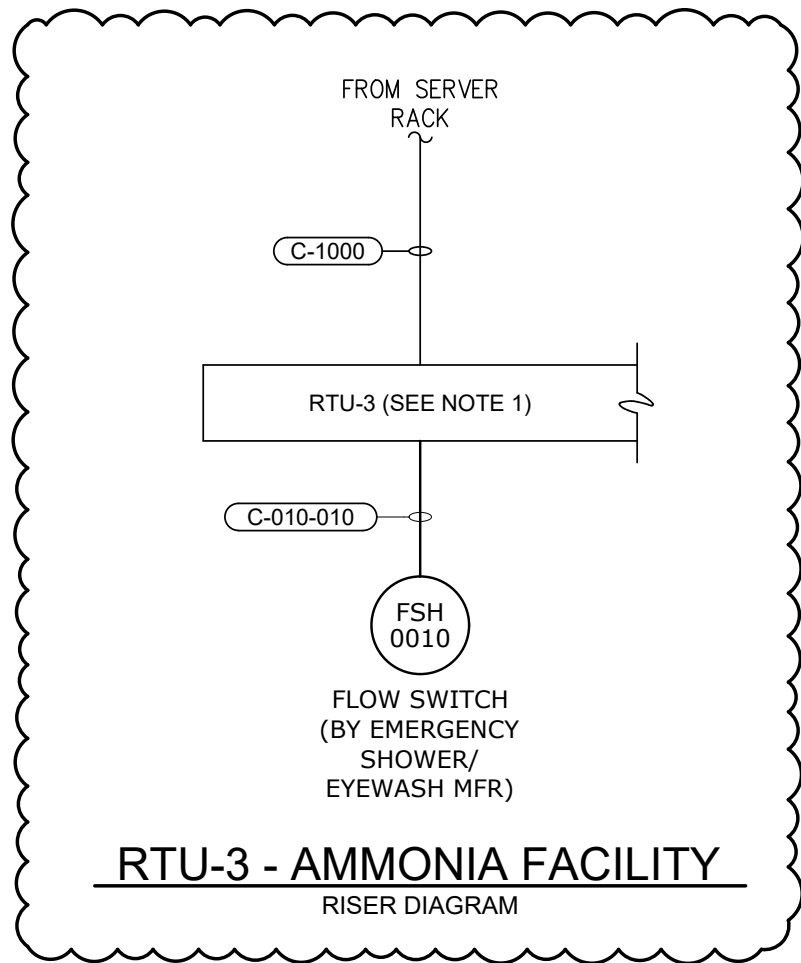
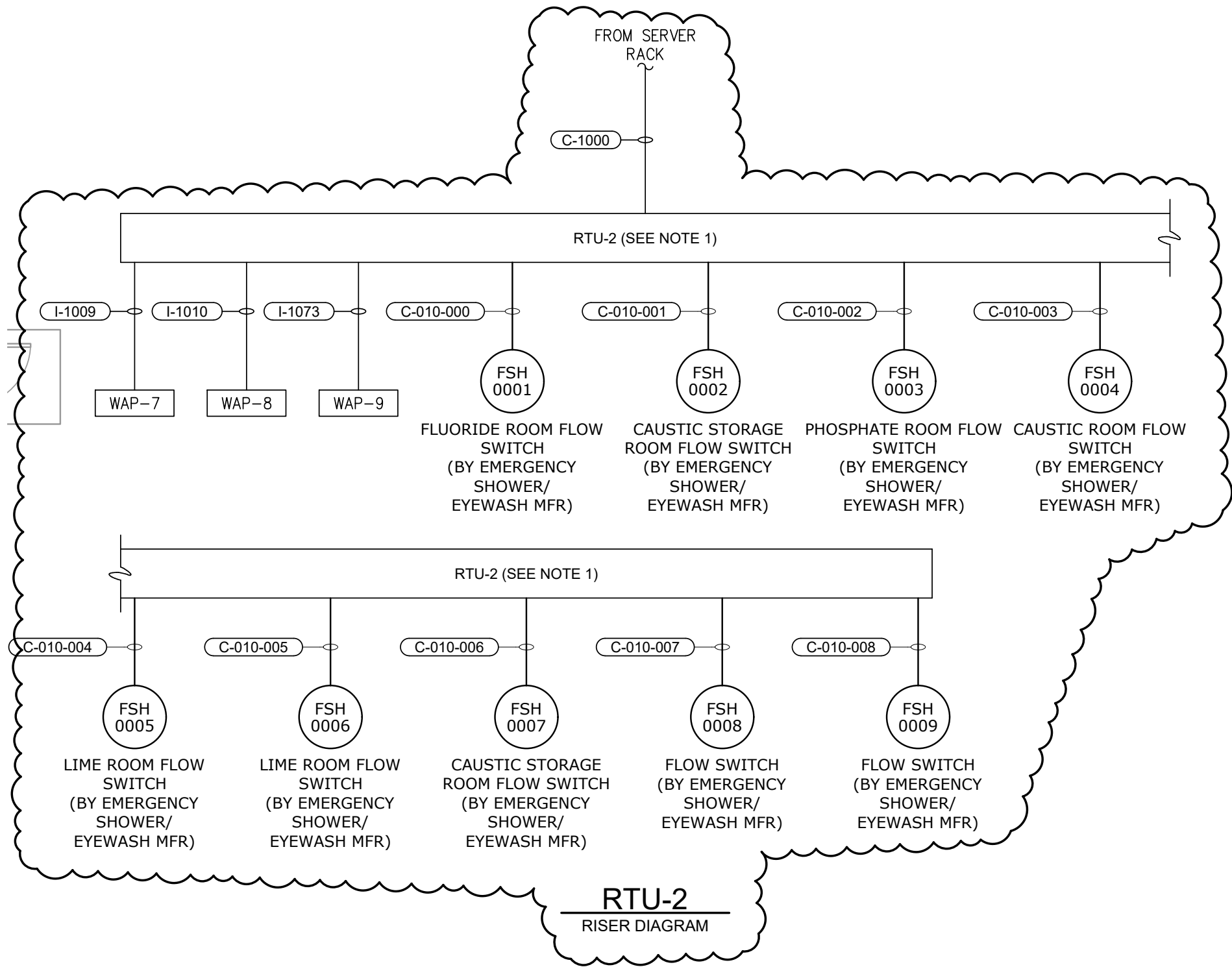
- PAGE LEFT INTENTIONALLY BLANK -



PLAN

3/16" = 1'-0"

ADDENDUM NO.	DATE	<p align="center"><b>PUBLIC WORKS COMMISSION CITY OF FAYETTEVILLE, NORTH CAROLINA</b></p>	HAZEN JOB NUMBER 30402-055	REFER TO CONTRACT DRAWING NUMBER
ATTACHMENT NO.	BY		CONTRACT NUMBER 55	SHEET OF
<p align="center">GLENVILLE LAKE WATER TREATMENT FACILITY RELIABILITY IMPROVEMENTS</p>				



ADDENDA NO.	DATE	PUBLIC WORKS COMMISSION CITY OF FAYETTEVILLE, NORTH CAROLINA	HAZEN JOB NUMBER 30402-055	REFER TO CONTRACT DRAWING NUMBER
ATTACHMENT NO.	BY	GLENVILLE LAKE WATER TREATMENT FACILITY RELIABILITY IMPROVEMENTS	CONTRACT NUMBER 55	SHEET OF

CONDUIT NO.	SIZE	FROM	TO	CONDUCTORS	REMARKS
C-010-000	3/4"	RTU-2	EMERGENCY SHOWER/EYEWASH No. 1	2#14, #14GND	FSH-0001
C-200-001	3/4"	RTU-2	EMERGENCY SHOWER/EYEWASH No. 2	2#14, #14GND	FSH-0002
C-200-002	3/4"	RTU-2	EMERGENCY SHOWER/EYEWASH No. 3	2#14, #14GND	FSH-0003
C-200-003	3/4"	RTU-2	EMERGENCY SHOWER/EYEWASH No. 4	2#14, #14GND	FSH-0004
C-200-004	3/4"	RTU-2	EMERGENCY SHOWER/EYEWASH No. 5	2#14, #14GND	FSH-0005
C-200-005	3/4"	RTU-2	EMERGENCY SHOWER/EYEWASH No. 6	2#14, #14GND	FSH-0006
C-200-006	3/4"	RTU-2	EMERGENCY SHOWER/EYEWASH No. 7	2#14, #14GND	FSH-0007
C-200-007	3/4"	RTU-2	EMERGENCY SHOWER/EYEWASH No. 8	2#14, #14GND	FSH-0008
C-200-008	3/4"	RTU-2	EMERGENCY SHOWER/EYEWASH No. 9	2#14, #14GND	FSH-0009
C-200-009				NOT USED	
C-200-010	3/4"	RTU-3	EMERGENCY SHOWER/EYEWASH No. 10	2#14, #14GND	FSH-0010, AMMONIA FACILITY

ADDENDA NO.

DATE

PUBLIC WORKS COMMISSION  
CITY OF FAYETTEVILLE, NORTH CAROLINA

REFER TO CONTRACT  
DRAWING NUMBER

HAZEN JOB  
NUMBER  
30402-055

ATTACHMENT NO.

BY

GLENVILLE LAKE WATER TREATMENT FACILITY  
RELIABILITY IMPROVEMENTS

CONTRACT  
NUMBER  
55

SHEET

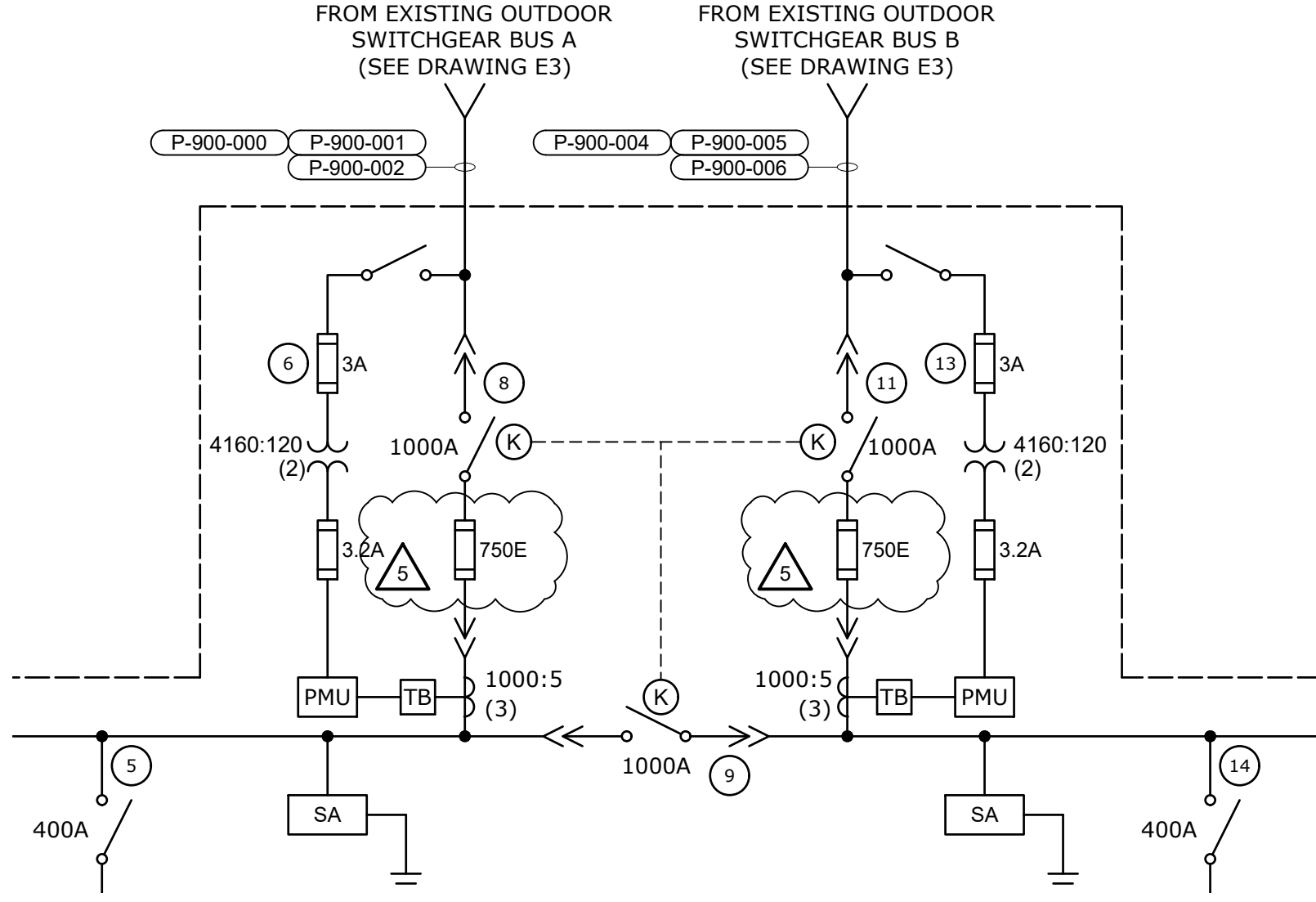
OF

- PAGE LEFT INTENTIONALLY BLANK -



ATTACHMENT #2 - SHEET E903 FIGURE

- PAGE LEFT INTENTIONALLY BLANK -



ADDENDA NO.

DATE

PUBLIC WORKS COMMISSION  
CITY OF FAYETTEVILLE, NORTH CAROLINA

HAZEN JOB NUMBER  
30402-055

REFER TO CONTRACT  
DRAWING NUMBER

ATTACHMENT NO.

BY

P.O. HOFFER WATER TREATMENT FACILITY  
RELIABILITY IMPROVEMENTS

CONTRACT NUMBER  
55

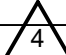
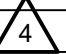
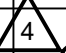
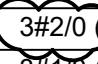
SHEET

OF

- PAGE LEFT INTENTIONALLY BLANK -

ATTACHMENT #3 - SHEET E909 FIGURE

- PAGE LEFT INTENTIONALLY BLANK -

P-900-007			NOT USED				
P-900-008			NOT USED 				
P-900-009	MCC-TF (A SIDE)	EXISTING BACKWASH PUMP	3#6 (5KV), #8GND (600V)	3"	T1	VIA PPB-TF	
P-900-010	MCC-TF (A SIDE)	EXISTING HIGH SERVICE PUMP No. 1	3#6 (5KV), #6GND (600V)	3"	T1	VIA PPB-TF	
P-900-011	MCC-TF (A SIDE)	EXISTING HIGH SERVICE PUMP No. 2	3#6 (5KV), #6GND (600V)	3"	T1	VIA PPB-TF	
P-900-012	MCC-TF (A SIDE)	EXISTING HIGH SERVICE PUMP No. 3	3#6 (5KV), #6GND (600V)	3"	T1	VIA PPB-TF	
P-900-013	MCC-TF (A SIDE)	EXISTING HIGH SERVICE PUMP No. 4	3#2 (5KV), #4GND (600V)	3"	T1	VIA PPB-TF	
P-900-014			NOT USED				
P-900-015			NOT USED 				
P-900-016	MCC-TF (B SIDE)	EXISTING HIGH SERVICE PUMP No. 5	3#4 (5KV), #6GND (600V)	3"	T2	VIA PPB-TF	
P-900-017	MCC-TF (B SIDE)	EXIST HIGH SERVICE PUMP No. 6 VFD	3#2 (5KV), #4GND (600V)	3"	T2		
P-900-018	EXIST HIGH SERVICE PUMP No. 6 VFD	EXISTING HIGH SERVICE PUMP No. 6	 3#2 (5KV), #4GND (600V)	3"	T2	VIA PPB-TF	
P-900-019	MCC-TF (B SIDE)	EXISTING HIGH SERVICE PUMP No. 7	 3#2/0 (5KV), #3GND (600V)	3"	T2	VIA PPB-TF	
P-900-020	MCC-TF (B SIDE)	EXIST HIGH SERVICE PUMP No. 8 VFD	3#1/0 (5KV), #3GND (600V)	3"	T2		
P-900-021	EXIST HIGH SERVICE PUMP No. 8 VFD	EXIST HIGH SERVICE PUMP No. 8	3#1/0 (5KV), #3GND (600V)	3"	T2	VIA PPB-TF	

ADDENDA NO.

DATE

PUBLIC WORKS COMMISSION  
CITY OF FAYETTEVILLE, NORTH CAROLINA

REFER TO CONTRACT  
DRAWING NUMBER

HAZEN JOB  
NUMBER  
30402-055

ATTACHMENT NO.

BY

P.O. HOFFER WATER TREATMENT FACILITY  
RELIABILITY IMPROVEMENTS

CONTRACT  
NUMBER  
55

SHEET

OF

- PAGE LEFT INTENTIONALLY BLANK -