



**CONTRACT DOCUMENTS &  
TECHNICAL SPECIFICATIONS**

**PWC2526084**

**SUBSTATION EQUIPMENT SHED BUILDING**

**ISSUED FOR BID**

**APRIL 2026**

**Fayetteville Public Works Commission  
Administrative Building  
955 Old Wilmington Road  
Fayetteville, NC 28301**

## TABLE OF CONTENTS

### SECTION A – PROJECT SPECIFICS

#### General

Advertisement for Bids

00100 – Instructions to Bidders

#### Bid Submittal Documents

Bid Schedule – Performance and Delivery

Bid Checklist

00300 – Bid Form

Bid Supplemental Forms and Attachments

Small and Disadvantaged Business Enterprise (SDBE) Program

SDBE Program Forms

SDBE/SLS and Local Disclosure Form

### SECTION B – CONTRACT EXECUTION DOCUMENTS

Notice of Award

Acceptance of Award

Construction Agreement

PWC General Conditions

Contract Supplemental Forms and Attachments

Notice to Proceed

### SECTION C – ADMINISTRATIVE PROVISIONS

#### DIVISION 1 – GENERAL REQUIREMENTS

### SECTION D – TECHNICAL SPECIFICATIONS

#### DIVISION 2 – SITE WORK

011000 – Summary

012000 – Allowances

033000 – Cast-In-Place Concrete

081113 – Hollow Metal Doors and Frames

083323 – Overhead Coiling Doors

087100 – Door Hardware

133419 – Metal Building Systems

### APPENDICES

Appendix A – Site Drawings / Plans

## **SECTION A – PROJECT SPECIFICS GENERAL**

**\*\*\* THIS PAGE WAS INTENTIONALLY LEFT BLANK \*\*\***

**ADVERTISEMENT FOR BID  
FAYETTEVILLE PUBLIC WORKS COMMISSION  
SUBSTATION EQUIPMENT SHED BUILDING**

**Cumberland County  
North Carolina**

Pursuant to N.C.G.S 143-129, sealed bids are solicited and will be received at Fayetteville Public Works Commission, Administration Building, Conference Room 107, 955 Old Wilmington Road, Fayetteville, NC 28301, until **3:30 p.m., EST Thursday, April 30, 2026**, at which time they will be publicly opened and read.

The scope of work will include construction of an equipment storage building to store spare components for substation needs.

The foregoing description shall not be construed as a complete description of all work required. All work shall be done in accordance with PWC technical specifications and standard contract terms.

A **NON-MANDATORY** pre-bid meeting will be held at **11:00 a.m., April 14, 2026**, in the Conference Room 107, Fayetteville Public Works Commission, Administrative Building, 955 Old Wilmington Road, Fayetteville, NC 28301. Representatives of the Owner and Project Engineer will be available to answer questions.

Questions will be fielded at the pre-bid meeting and all prospective bidders are required to attend the meeting. Individual telephone inquiries are prohibited. PWC assumes no responsibility to fully inform absentees of clarifications not issued by addendum.

Bids must be enclosed in a sealed envelope addressed to Leticia Gilmore, Procurement Advisor, Fayetteville Public Works Commission, 955 Old Wilmington Road, Fayetteville, North Carolina 28301. The outside of the envelope must be marked **SEALED BID: SUBSTATION EQUIPMENT SHED BUILDING** and shall indicate the name, address and state license number of the bidder. Bids shall be submitted on the printed forms, or exact copies thereof, contained in the Contract Documents.

Each bid shall be accompanied by a bid bond of five percent (5%) of the bid executed by a surety company licensed under the laws of North Carolina to execute the Contract in accordance with the bid bond and upon failure to forthwith make payment, the surety shall pay the obligee an amount equal to the amount of said bond. Said deposit shall be retained by the Owner as liquidated damages in event of failure of the successful bidder to execute the Contract within ten (10) days after the Notice of Award or give satisfactory surety as required by law.

Performance and Payment Bonds are required in the amount of 100% of the Contract amount and shall be furnished by the Contractor.

All Contractors are notified that North Carolina Statutory provisions as to licensing of Contractors will be followed as applicable in receiving and evaluating bids and in reading and awarding the Contract (Chapter 87 of the North Carolina General Statutes).

The license classification shall be:

Part 1:           Unclassified           -           Unlimited

Plans and Specifications including Contract Documents will be available online for viewing and downloading on or about **Tuesday, April 7, 2026** on the PWC Procurement website at <https://www.faypwc.com/purchasing>. In addition, the documents will be available from the Fayetteville State University Construction Resource Office (FSU CRO) at <https://www.uncfsu.edu/academics/colleges-schools-and-departments/broadwell-college-of-business-and-economics/outreach-centers/construction-resource-office>. In collaboration with the North Carolina Institute of Minority Economic Development, the FSU CRO offers services and support to help small, minority, veteran, and women-owned businesses identify and compete for construction-related projects.

At the FSU CRO, potential bidders may:

- Research, view and print project drawings to scale free of charge;
- Use available software to prepare their bid; and
- Receive certification and pre-qualification assistance.

Please email the FSU CRO to make an appointment: [fsucro@uncfsu.edu](mailto:fsucro@uncfsu.edu)

Fayetteville Public Works Commission reserves the right to reject any and all bids, to waive any and all informalities and irregularities, and to disregard all nonconforming, nonresponsive, or conditional bids. PWC further reserves the right to request additional information from any or all bidders for evaluation purposes; failure or refusal to furnish such information as requested may result in rejection of the bid.

The bid tabulation and announcement of the apparent low bidder at the bid opening do not constitute a binding contract with PWC. No contract will be considered awarded until a formal written Agreement is executed by both PWC and the successful bidder. The award of a contract, if made, will be to the lowest responsible, responsive bidder whose qualifications indicate the award will be in the best interest of PWC.

PWC also reserves the right, at its sole discretion, to re-advertise for bids if deemed in the best interest of PWC.

The bidder to whom the contract may be awarded must comply fully with the requirements of North Carolina General Statutes Section 143-129, as amended.

No bids may be withdrawn after the scheduled Bid Opening for a period of ninety (90) calendar days.

**FAYETTEVILLE PUBLIC WORKS COMMISSION**  
Nikole Bohannon  
Procurement Manager

**00100 - INSTRUCTIONS TO BIDDERS  
FAYETTEVILLE PUBLIC WORKS COMMISSION  
SUBSTATION EQUIPMENT SHED BUILDING**

**A. DEFINED TERMS**

Terms used in these Instructions to Bidders are defined in the Definitions and Terminology sections of PWC General Conditions.

**B. COPIES OF BIDDING DOCUMENTS**

1. Complete sets of the Bidding Documents as stated in the Invitation to Bidders, may be obtained from the PWC Procurement Department.
2. Complete sets of Bidding Documents shall be used in preparing Bids. PWC assumes no responsibility for errors or misinterpretations resulting from the use of incomplete sets of Bidding Documents

**C. EXAMINATION OF CONTRACT DOCUMENTS, OTHER RELATED DATA, AND PROJECT SITE**

1. Before submitting a Bid, each Bidder shall (a) examine the Contract Documents thoroughly, (b) visit the site and become familiar with the site and any local conditions that may in any manner affect the cost, progress, or performance of the Work, (c) be familiar with federal, state and local laws, ordinances, rules and regulations that may in any manner affect cost, progress or performance of the Work, and (d) study and carefully correlate Bidder's observations with the Contract Documents, and (e) give the PWC Procurement Advisor written notice of all conflicts, errors or discrepancies in the Contract Documents.
2. Bidders should consult the Specifications for the identification of those reports of investigations and tests of subsurface and latent physical conditions at the site or reports that otherwise may affect cost, progress, or performance of the Work which may have been utilized in the preparation of the Drawings and Specifications. PWC will make copies of such reports if available at the cost (non-refundable) of reproduction to any Bidder requesting them. These reports are not intended to constitute any explicit or implicit representation as to the nature of the subsurface and latent physical conditions, which may be encountered at the site or to constitute explicit or implicit representations as to any other matter, contained in any report. Such reports are not guaranteed as to accuracy or completeness and are not part of the Contract Documents. Before submitting a Bid, each Bidder will, at its own expense, make such investigations and tests as the Bidder may deem necessary to determine his Bid for the performance of the Work in accordance with the Contract Documents.
3. On request (minimum 48 hours advance notice), PWC will provide each Bidder access to the site to conduct such investigations and tests, as each Bidder deems necessary for submission of its Bid.
4. The lands upon which the Work is to be performed, right-of-way for access thereto, and other lands available for use by the Contractor in performing the Work are identified in the Contract Documents.

5. The submission of a Bid constitutes an incontrovertible representation by the Bidder that it has complied with every requirement of this Section and that the Contract Documents are sufficient in scope and detail to indicate and convey an understanding of all terms and conditions for the performance of the Work.

#### **D. INTERPRETATIONS AND ADDENDA**

1. All questions about the meaning or intent of the bid or Contract Documents shall be submitted in writing to Leticia Gilmore, Procurement Advisor, by email to [procurement@faypwc.com](mailto:procurement@faypwc.com). In order to receive consideration, questions must be received by Friday, April 17, 2026, and time 5:00 p.m. Any interpretations of questions so raised, which in the opinion of the Project Engineer require interpretations, will be issued by Addenda via email or posted online by the Owner and/or Project Engineer. An Addendum extending the Bid Opening date may be issued up to five (5) business days before the Bid Opening date. An Addendum withdrawing the Invitation for Bid may be issued any time prior to the Bid Opening date. The Owner and Project Engineer will not be responsible for oral interpretations or clarifications, which anyone presumes to make on their behalf.

**Bidders are expressly prohibited from contacting any PWC official or employee associated with this project, except as noted above. Violation of this prohibition is grounds for the immediate disqualification of the bidder.**

2. PWC may issue such additional Addenda as may be necessary to clarify, correct, or change the Contract Documents. Such Addenda, if any, will be issued in the manner and within the time stated in Paragraph 1 of this Section.
3. Each Bidder shall be responsible for determining that all Addenda issued by PWC have been received before submitting a Bid for the Work.
4. Each Bidder shall acknowledge the receipt of each Addendum on the Bid Form.

#### **E. VENDOR REGISTRATION VIA ISUPPLIER**

1. All vendors interested in doing business with PWC must register as a vendor through the iSupplier Portal using the link below. The iSupplier self-service portal enables vendors to have real-time access to information regarding purchase orders, invoices, and payments through a secure environment. Attach a copy of your W9 to your online registration.

<https://www.faypwc.com/isupplier-doing-business-with-pwc/>

#### **F. QUALIFICATION OF CONTRACTORS**

1. **Bidder Qualification Form** – The Bid package shall include the completed Contractor Qualification Form and all supporting documentation.
2. **Statutory Requirements** – The Bidder shall comply with all federal, state, and local statutes, regulations, and codes as they relate to the Project. Failure to comply with these requirements shall be considered a breach of Contract.
3. Contractor to provide utility references for similar projects completed by identified crews.

#### **G. SUBSTITUTE MATERIAL AND EQUIPMENT**

The Contract, if awarded, will be on the basis of material and equipment described in the Drawings or required in the Specifications without consideration of possible substitute or "or-equal" items. The procedure for submittal of substitute or "or-equal" items for consideration is set forth in the PWC General Conditions.

#### **H. CONTRACTOR'S LICENSE**

1. No General Contractor shall engage in contracting work in the State of North Carolina unless it has been licensed under in accordance with North Carolina law.
2. Bidders are prohibited from contracting for, or bidding upon, the construction, removal, repair or improvements to or upon real property owned, controlled or leased by Fayetteville Public Works Commission without a North Carolina Contractor's License.
3. Each bidder shall indicate its North Carolina Contractor's License number on the bid envelope and the Bid Form.
4. License Classification shall be:
  - Unclassified - Unlimited

#### **I. SUBCONTRACTORS**

1. Contractor shall subcontract no more than 49 percent (49%) of the value of the Contract.
2. Each Bidder shall submit to PWC with its bid the List of Subcontractors, Suppliers, other persons, and organizations proposed for those portions of the Work for which such identification is required. If PWC, after due investigation has reasonable objection to any proposed Subcontractor, Supplier, other person or organization, PWC may, before Notice of Award is given, request apparent Successful Bidder to submit an acceptable substitute without an increase in the Bid.
3. If the apparent Successful Bidder declines to make such a substitution, PWC may award the Contract to the next lowest responsive, responsible Bidder that proposes to use acceptable Subcontractors, Suppliers, and other persons, and organizations. The declining to make requested substitutions will not constitute grounds for sacrificing the bid security of any Bidder. If PWC does not make written objection to a Bidder's list of Subcontractors, Suppliers, other persons, or organizations prior to giving Notice of Award, the list will be considered acceptable, subject to revocation as provided in the PWC General Conditions.

#### **J. SMALL & DISADVANTAGED BUSINESS ENTERPRISE (SDBE) PROGRAM / SMALL LOCAL SUPPLIER (SLS) PROGRAM**

1. Program Commitment: Fayetteville Public Works Commission (PWC) is committed to promoting the utilization of Small and Disadvantaged Business Enterprises (SDBEs) and Small Local Suppliers (SLS) in PWC's procurement of construction contracting. PWC seeks to provide equitable access and opportunity to qualified businesses across its operational areas.
  - The SDBE Program encourages participation from firms certified through recognized third-party agencies, including the NC Department of Administration (HUB Office), NC Department of Transportation (DBE Program), and the U.S. Small Business

Administration (SBA).

- The SLS Program continues to promote engagement of small, local firms within the Fayetteville Metropolitan Statistical Area (MSA), consisting of Cumberland, Hoke, and Harnett Counties.
2. Applicability and Bidder Requirements: For procurements of construction exceeding \$30,000, Bidders must demonstrate good-faith efforts to engage certified SDBEs and, when applicable, SLSs. This includes outreach to certified firms, solicitation of quotes, and attendance at pre-bid meetings. Documentation must include completed Affidavit forms (A–E) as outlined in the SDBE Compliance Provisions within the Contract Documents. Attendance at the Pre-Bid Meeting is strongly recommended to review program expectations and compliance procedures.
  3. Certification and Verification: Certifications recognized under this program include:
    - NC Department of Transportation (NCDOT) Disadvantaged Business Enterprise (DBE)
    - NC Department of Administration (DOA) Historically Underutilized Business (HUB)
    - U.S. Small Business Administration (SBA) certifications, including 8(a), WOSB, SDVOSB, and HUBZone designations. Firms holding current certifications with these agencies are acceptable for listing in the bidder's submittal and will be counted toward participation goals. Vendor directories can be accessed via the following links:
      - NCDOT DBE Directory: <https://www.ebs.nc.gov/VendorDirectory>
      - NC HUB Directory: <https://ncadmin.nc.gov/businesses/hub>

#### **K. SUBMISSION OF BIDS**

1. All Bidders shall use the enclosed Bid Forms, or exact copies thereof, in submitting their bid prices. Failure to provide full and complete Bid Forms using the form provided herein will result in a bid being deemed non-responsive.
2. PWC will not accept modified Bid Forms, oral Bids, or Bids received by telephone, email, or telecopier (FAX machine) for this Bid.
3. All prices must be F.O.B. delivered to the point as indicated by this Bid. PWC will grant no allowance for boxing, crating, or delivery unless specifically provided for in this Bid.
4. The Bid Form must be completed in black ink. Black or blue pen ink is acceptable if handwritten. Discrepancies between amounts shown in words and amounts shown in figures will be resolved in favor of the amounts shown in words. Discrepancies in the multiplication of units of Work and the unit prices will be resolved in favor of the correct multiplication of the unit prices. Discrepancies between the indicated sum of any column of figures and the correct sum thereof will be resolved in favor of the correct sum.
5. Bid submittals sent by mail should be registered mail. The sealed Bid, marked as indicated above, should be enclosed in an additional sealed envelope similarly marked and addressed to:

Fayetteville Public Works Commission

Attn: Leticia Gilmore, Procurement Advisor  
955 Old Wilmington Road  
Fayetteville, North Carolina 28301

6. Mark the envelope in the lower left-hand corner with the project title, hour and due date of Bid, and the Bidder's North Carolina contractor registration number.
7. Bids sent by mail and arriving after the time for the opening of Bids shall not be considered valid Bids. In such instances, the Bidders shall have no claim against PWC.
8. All items contained in the Bid Checklist shall be completely filled out and submitted with the bid. Failure to submit any of the items requested with the Bid Form may just cause for rejection of the Bid by PWC.
9. All erasures, insertions, additions, and other changes made by the Bidder to the Bid Form shall be signed or initialed by the Bidder. Bids containing any conditions, omissions, erasures, alterations, or items not called for in the Bid, may be rejected by PWC as being incomplete or nonresponsive.
10. The Bid Form must be signed in order to be considered. If the Bidder is a corporation, the Bid must be submitted in the name of the corporation, not simply the corporation's trade name. In addition, the Bidder must indicate the corporate title of the individual signing the Bid.
11. The Bid Form, the Bid security, if any, and any other documents required, shall be enclosed in a sealed opaque envelope. Any notation or notations on the exterior of the envelope purporting to alter, amend, modify, or revise the bid contained within the envelope shall be of no effect and shall be disregarded.
12. All Bids received in the Procurement Department by the deadline indicated will be kept sealed until the time and date of the Bid Opening.
13. All late Bids shall be returned unopened to the sender.

#### **L. BID BOND**

1. Each Bid shall be accompanied by an acceptable Bid bond in the amount of five percent (5%) of the Bid amount, and made payable to Fayetteville Public Works Commission, North Carolina.
2. The Bid bond is a guarantee that if the contract is awarded by PWC to the Bidder, the Bidder shall enter into the contract with PWC for the work mentioned in this Bid or forfeit the Bid bond to PWC, not as a penalty, but as liquidated damages.
3. No forfeiture under a Bid bond shall exceed the lesser of (a) the difference between the Bid for which the Bid bond was written and the next low Bid of another Bidder, or (b) the face amount of the Bid bond.
4. All bonds shall be executed by a surety company selected by the Bidder, which is legally authorized to do business in the State of North Carolina (NCGS §44 A-26), and the bond shall be the same in both form as well as substance as AIA Document A310, Bid Bond.
5. The Bidder shall require the attorney-in-fact, who executed the required bond on behalf of

the surety company, to affix thereto a certified and current copy of the power of attorney.

6. The bond premium shall be paid by the Bidder and the cost shall be included in the Bid price.
7. Any inspection of procurement transaction records shall be subject to reasonable restrictions to ensure the security and integrity of the records.

#### **M. OPENING OF BIDS**

1. Bids will be opened publicly and read aloud on the date and time set for the Bid Opening in the Notice to Bidders.
2. Any Bidder, upon request, shall be afforded the opportunity to inspect Bid records within a reasonable time after the opening of all Bids but prior to award, except in the event that PWC decides not to accept any of the Bids and to reopen the contract. Otherwise, bid records shall be open to public inspection only after the award of the Contract.
3. Any inspection of procurement transaction records shall be subject to reasonable restrictions to ensure the security and integrity of the records.

#### **N. MODIFICATION OF BIDS**

1. A Bid may be modified or withdrawn by the Bidder at any time prior to the time and date set for the Bid Opening. The Bidder shall notify the PWC Procurement Department in writing of its intentions.
2. Modified and withdrawn Bids may be resubmitted to the PWC Procurement Department up to the time and date set for the Bid Opening.

#### **O. WITHDRAWAL OF BID DUE TO ERROR**

1. If the Bidder desires to withdraw its Bid, the Bidder must do so before the time fixed for the opening, without prejudice, by communicating its purpose in writing to PWC. After bids are open, bids may only be withdrawn in strict accordance with N.C.G.S. Section 143-129-1

#### **P. BIDS TO REMAIN OPEN**

1. All Bids shall remain open for ninety (90) calendar days after the day of the Bid Opening.

#### **Q. AWARD OF CONTRACT**

1. PWC reserves the right to reject any and all bids, to waive any and all minor informalities and irregularities, and to disregard all nonconforming, nonresponsive, or conditional bids. PWC further reserves the right to request additional information from any or all bidders for evaluation purposes; failure or refusal to furnish such information as requested may result in rejection of the bid. The bid tabulation and announcement of the apparent low bidder at the bid opening do not constitute a binding contract with PWC. No contract will be considered awarded until a formal written Agreement is executed by both PWC and the successful bidder. The award of a contract, if made, will be to the lowest responsible, responsive bidder whose qualifications indicate the award will be in the best interest of PWC. PWC also reserves the right, at its sole discretion, to re-advertise for bids if deemed in the best interest of PWC.

2. In case of a tie Bid, the tie shall be decided by lot.
3. It is the intent of PWC to recommend the award of this contract to the lowest responsive, responsible Bidder provided the Bid has been submitted in accordance with the requirements of the Bidding Documents and does not exceed the funds available. In determining the lowest responsive Bidder, PWC may consider, among other criteria, the Bidder's past performance conduct on other contracts, and other information provided by the Bidder as noted below.
4. In determining the lowest responsive Bidder, PWC will evaluate the Bidder's proposed Bid price and the completeness of the submitted bid in accordance with the requirements of the Contract Documents.
5. PWC may consider the operating costs, maintenance considerations, performance date, and guarantees of materials and equipment.
6. PWC may conduct such investigations as deemed necessary to assist in the evaluation of any Bid and to establish the responsibility, qualifications and financial ability of the Bidders, as well as other considerations, to include but not limited to resources available to the Bidder to perform the work effectively, proposed Subcontractors and other persons and organizations to do the work in accordance with the Contract Documents to PWC's satisfaction within the prescribed time.
7. PWC reserves the right to reject the Bid of any Bidder who does not pass any such evaluation to PWC's satisfaction.
8. If the Contract is to be awarded, PWC will give the Successful Bidder a Notice of Award within ninety (90) days after the day of the Bid Opening.
9. The Bidder to whom the contract is awarded shall, within ten (10) days after prescribed documents are presented for signature, execute and deliver the Contract Documents and any other forms or bonds required by the Bid to PWC.
10. The Bidder is required to complete the attached forms that will allow PWC to verify that the Bidder is qualified to perform the Work described in these Contract Documents. All forms shall be completed and submitted with the Bid. Failure to submit all the required forms shall be considered grounds for PWC to reject the bid.

PWC will review all of the bids and qualification data to determine the lowest responsive, responsible Bidder. PWC reserves the right to not award the Contract to the lowest bidder if the information provided is not complete, does not meet the satisfaction of PWC, or has been falsified. PWC will not request any additional information in order to allow the Contractor to complete bid.

11. During the evaluation phase, bid submittals will be reviewed to ascertain which bids technically and otherwise address all the requirements of these Contract Documents. Bid submittals determined to be technically non-responsive or not sufficiently responsive may be disqualified.

The Bidder shall address each of the Evaluation Criteria as requested in the Technical Evaluation Criteria Form located within Section A Project Specifics Bid Submittal

Documents. To be considered substantive, the information must respond to all requirements.

12. PWC may conduct such investigations/verifications as deemed necessary to establish the responsibility, qualification and financial ability of the Bidder. Should PWC find that the apparent low bidder is not the lowest responsive, responsible bidder by integrity of the information furnished, said apparent low bidder will be so notified and its bid bond shall be returned without prejudice. Failure or refusal to furnish any items of information requested by PWC shall be considered as non-responsive and therefore basis for rejection of the bid.

#### **R. TAXES**

1. The Successful Bidder shall pay all county, city, state and federal taxes required by laws in effect at the time Bids are received and resulting from the Work or traceable thereto, under whatever name levied.
2. Said taxes shall not be in addition to the contract price between PWC and the Successful Bidder. The taxes shall be an obligation of the Successful Bidder and not of PWC. PWC shall be held harmless from same by the Successful Bidder.

#### **S. PERFORMANCE AND OTHER BONDS**

1. The PWC General Conditions set forth PWC's requirements as to Performance and other Bonds.

#### **T. E-VERIFY REQUIREMENTS**

1. Contractor hereby acknowledges that "E-Verify" is the federal E-Verify program operated by the US Department of Homeland Security and other federal agencies which is used to verify the work authorization of newly hired employees pursuant to federal law and in accordance with Article 2, Chapter 64 of the North Carolina General Statutes.
2. Contractor further acknowledges that all employers, as defined by Article 2, Chapter 64 of the North Carolina General Statutes, must use E-Verify and after hiring an employee to work in the United States, shall verify the work authorization of the employee through E-Verify in accordance with NCGS §64-26(a).
3. Contractor hereby pledges, attests and warrants through execution of this Agreement that Contractor complies with the requirements of Article 2, Chapter 64 of the North Carolina General Statutes and further pledges, attests and warrants that any subcontractors currently employed by or subsequently hired by Contractor shall comply with any and all E-Verify requirements. Failure to comply with the above requirements shall be considered a breach of this Agreement.

#### **U. IRAN DIVESTMENT ACT**

1. As mandated by N.C.G.S. 147-86.59(a), the Contractor hereby certifies that it is not listed on the Final Divestment List created by the North Carolina State Treasurer pursuant to N.C.G.S. 147-86.58. Contractor further certifies that in accordance with N.C.G.S. 146-86.58(b) that it shall not utilize any subcontractor found on the State Treasurer's Final Divestment List. Contractor certifies that the signatory to this Purchase Order authorized

by the Contractor to make the foregoing statement.

\*\*\* END OF SECTION \*\*\*

**SECTION A – PROJECT SPECIFICS  
BID SUBMITTAL DOCUMENTS**

**BID SCHEDULE – PERFORMANCE AND DELIVERY  
FAYETTEVILLE PUBLIC WORKS COMMISSION  
SUBSTATION EQUIPMENT SHED BUILDING**

**(NON-MANDATORY)**

11:00a.m., Tuesday, April 14, 2026

Fayetteville Public Works Commission  
Administrative Building  
Conference Room 107  
955 Old Wilmington Road  
Fayetteville, NC 28301

Deadline for Questions from  
Bidders<sup>1</sup>

5:00p.m., Friday, April 17, 2026

Deadline for Addenda issued by  
PWC Procurement Department and  
Project Engineer<sup>2</sup>

5:00p.m., Thursday, April 23, 2026

Bid Opening (Submittal Deadline)

3:30p.m., Thursday, April 30, 2026

Fayetteville Public Works Commission  
Administrative Building  
Conference Room 107  
955 Old Wilmington Road  
Fayetteville, NC 28301

Target Commission Meeting

Wednesday, May 13, 2026

Target City Council Meeting

Monday, June 8, 2026

Contract Time:

90 Days

Liquidated Damages:

\$500.00 per day for each day beyond the  
Final Completion Date

Bid Acceptance Period

Within ninety (90) Calendar Days unless  
otherwise noted

- 
1. Questions regarding this bid must be submitted in writing to the attention of Leticia Gilmore, Procurement Advisor, by email to [procurement@faypwc.com](mailto:procurement@faypwc.com).

Bidders are expressly prohibited from contacting any FPWC official or employee associated with this Invitation to Bid, except as noted above. Violation of this prohibition is grounds for the immediate disqualification of the bidder.

2. Any addenda to these Contract Documents will be issued by the Project Engineer no later than the date and time stated above.

## BID SUBMITTAL CHECKLIST

- 1. Enter Contractor's License Number where called for in the Bid Form and on the outside of the sealed envelope containing the Bid.
- 2. Photocopy of Contractor's License.
- 3. Bid Bond
- 4. Bid Forms Section 00300.
- 5. Provide the responsible North Carolina Registered Agent for Insurance Claims. Include contact information.
- 6. Provide the proposed responsible Bonding Company name. Include contact information.
- 7. List of proposed Subcontractors and material suppliers exceeding 5% of the Contract Value.
- 8. Non-Collusive Affidavit.
- 9. Nondiscrimination Clause.
- 10. Affidavit of Organization and Authority and Sworn Statement.
- 11. Equal Employment Opportunity Acknowledgment.
- 12. Certification regarding Debarment, Proposed Debarment, and other Responsible Matters.
- 13. FTA Certification Regarding Lobbying.
- 14. Affidavit A – Listing of Good Faith Efforts, et al.
- 15. Affidavit B – (Only if the Contractor will perform **ALL ELEMENTS OF THE WORK** on this project with their own forces **AND** will complete **ALL ELEMENTS OF THIS PROJECT WITHOUT THE USE OF SUBCONTRACTORS, MATERIAL SUPPLIERS, OR PROVIDERS OF PROFESSIONAL SERVICES.**
- 16. Affidavit E - Identification of Minority Business Participation Form.
- 17. SLS / SDBE Disclosure Form.

**\*\*FAILURE TO SUBMIT THE ABOVE FORMS WITH THE BID FORM PROVIDED HEREIN MAY BE JUST CAUSE FOR REJECTION OF THE BID BY THE OWNER\*\***

**\*\*\* THIS PAGE INTENTIONALLY LEFT BLANK \*\*\***

**00300 - BID FORM**

TO: **Fayetteville Public Works Commission**  
Attn: Leticia Gilmore, Procurement Advisor  
955 Old Wilmington Road  
Fayetteville, North Carolina 28301

PROJECT: **PWC2526084 - SUBSTATION EQUIPMENT SHED BUILDING**

FROM: BIDDER \_\_\_\_\_

ADDRESS \_\_\_\_\_

DATE OF BID \_\_\_\_\_, 20 \_\_\_\_

- A. The undersigned BIDDER proposes and agrees, if this Bid is accepted, to enter into a Contract with OWNER in the form included in the Contract Documents to perform and furnish all Work (as that term is defined in the Construction Agreement) specified or indicated in the Contract Documents for the Contract Price and within the Contract Time indicated in this Bid and in accordance with the Contract Documents.
- B. BIDDER accepts all of the terms and conditions of the Instructions to Bidders, including, without limitation, those dealing with the disposition of payment and performance bonds, and insurance certificates. This bid will remain open for ninety (90) calendar days after the day of Bid opening. BIDDER will sign the Contract and submit the Contract Security and other documents required by the Contract Documents within ten (10) days after the date of receipt by the BIDDER.
- C. In submitting this Bid, Bidder represents, as more fully set forth in the Contract, that:
  - 1. BIDDER has examined copies of all the Contract Documents and of the following addenda, receipt of all which is acknowledged on the bid summary page:
  - 2. BIDDER has examined the site and locality where the Work is to be performed, the legal requirements (federal, state, and local laws, ordinances, rules and regulations) and the conditions affecting cost, progress of performance of the work and has made such independent investigations as BIDDER deems necessary.
  - 3. BIDDER acknowledges that OWNER does not assume responsibility for the accuracy of dimensions or completeness of information and data shown or indicated in the Bidding Documents with respect to existing facilities.
  - 4. BIDDER has carefully studied all reports of explorations and tests of subsurface conditions at or contiguous to the site of the Work (except underground facilities) and all drawings of physical conditions in or relating to existing surface or

subsurface structures, pipelines, and utilities at or contiguous to the site are provided within these Contract Documents. Geotechnical Reports and other information regarding subsurface conditions are identified in the attached appendices and detailed in Article V of the PWC General Conditions. BIDDER acknowledges that the OWNER does not assume responsibility for the accuracy or completeness of information and data shown or indicated in the Bidding Documents with respect to underground facilities at or contiguous to the site of Work. BIDDER had obtained and carefully studied (or assumes responsibility for have done so) all such additional or supplementary examinations investigations, explorations, tests, studies, and data that are necessary to identify and understand conditions (surface, subsurface, and underground facilities) at or contiguous to the site of Work or otherwise which may affect cost, progress, performance, or furnishing the Work or which relate to any aspect of means, methods, techniques, sequences, and procedures of construction to be employed by Bidder and safety precautions and programs incident thereto. BIDDER waives all rights to claim that any additional examinations, investigations, explorations, tests, studies, or data are necessary for the proper submission of the Bid for the performance and furnishing of the Work in accordance with the Contract Time, Contract Price, and other terms and conditions of the Contract Documents.

5. BIDDER hereby certifies that, if awarded the Contract for construction of the Project, it will take all possible actions to minimize costs to the OWNER which are related to any disruptions in any part of the Work resulting from unforeseeable conditions which may be encountered and work changes or additions which may be made.
6. BIDDER has correlated the information known to BIDDER, information and observations obtained from visits to the site, reports and drawings identified in the Contract Documents, and all additional examinations, investigations, exploration, tests, studies, and data with the Contract Documents.
7. BIDDER has given OWNER written notice of all conflicts, errors, ambiguities, or discrepancies that BIDDER has discovered in the Contract Documents and the written resolution thereof by OWNER is acceptable to BIDDER, and the Contract Documents are generally sufficient to indicate and convey understanding of all terms and conditions for performing and furnishing the Work for which this Bid is submitted.
8. By bidding in response to this invitation, the BIDDER represents that in the preparation and submission of this Bid, said BIDDER did not, either directly or indirectly, enter into any combination or arrangement with any person, firm or corporation or enter into any agreement, participate in any collusion, or otherwise take any action in the restraint of free, competitive bidding in violation of the Sherman Act (15 U.S.C. Section 1).
9. Bid form must be completed in blue or black ink or by typewriter. The Bid price of each item on the form must be stated in both words and numerals. In case of a

conflict, words shall take precedence. Discrepancies in the multiplication of units of work and unit prices will be resolved in favor of the correct multiplication of the unit prices. Discrepancies between the indicated sum of any column of figures and the correct sum thereof will be resolved in favor of the correct sum.

10. BIDDER understands that the award of contract will be made on the basis of the total Bid amount which will be determined as the sum of the unit price and lump sum Bid Items.
11. BIDDER understands that quantities are estimated and are not guaranteed; they are solely for comparing Bids and establishing the total Bid amount. The Price will be modified by Change Order, and final payment will be based on the quantities of work actually furnished and installed by the successful BIDDER.
12. BIDDER shall complete the Work for the prices indicated on the next page.



The undersigned BIDDER hereby agrees to accept an award of the Contract based on the Total Contract Amount as accepted by the OWNER and as indicated on the Notice of Award.

A. BIDDER agrees that Work shall be completed within the time frame indicated in the Agreement as follow:

1. All work described herein to be complete, including restoration and all punch list items from Notice to Proceed until the competition date noted in the Notice to Proceed.
2. The BIDDER acknowledges that time is of the essence in this Contract and that the OWNER will suffer financial loss if the Work is not complete within the time specified in Paragraph D.1 above plus any extensions thereof allowed in accordance with these Contract Documents. BIDDER also recognizes the delays, expense and difficulties involved in proving in a legal proceeding the actual loss suffered by the OWNER if the Work is not complete on time. The Bidder agrees to diligently pursue all available work and complete all work in an expeditious manner.

B. The following documents are attached to and made part of this bid:

Required Bid Security in the form of either a cashier's check or certified check or Bid Bond in the amount of 5% of maximum Bid price.

Communications concerning this Bid shall be addressed to: (Surety's Name, Address, Telephone Number, and Email)

---

---

---

---

---

Failure to provide full and complete information will result in a bid being deemed nonresponsive.

C. Communications concerning this Bid shall be addressed to: (CONTRACTOR's Name, Address, Telephone Number, and Email)

---

---

---

---

---

Failure to provide full and complete information will result in a bid being deemed nonresponsive.

D. The terms used in this Bid which are defined in Definitions and Terminology Section of the PWC General Conditions or as otherwise specifically defined in the Contract Documents have the meanings assigned to them therein, which are incorporated by reference as if fully set forth herein.

E. An individual contractor is required to furnish his social security number and sole proprietorship, partnership and corporation are required to furnish their employer identification numbers to Fayetteville Public Works Commission. Please indicate this information on this Bid Form as follows:

Social Security Number: \_\_\_\_\_

Federal Employer Identification Number: \_\_\_\_\_

SUBMITTED ON \_\_\_\_ day of \_\_\_\_\_ 2026

**AN INDIVIDUAL**

BY: \_\_\_\_\_ (SEAL)

(Individual's Name and Signature)

Doing Business as: \_\_\_\_\_

North Carolina Contractor Registration Number: \_\_\_\_\_

Business Address: \_\_\_\_\_

Phone Number: \_\_\_\_\_

Subscribed and sworn to before me this \_\_\_\_ day of \_\_\_\_\_ 2026

\_\_\_\_\_  
NOTARY PUBLIC

My Commission Expires: \_\_\_\_\_

**A PARTNERSHIP**

BY: \_\_\_\_\_ (SEAL)

(Firm Name)

(General Partner and Signature)

North Carolina Contractor Registration Number: \_\_\_\_\_

Business Address: \_\_\_\_\_

Phone Number: \_\_\_\_\_

Subscribed and sworn to before me this \_\_\_\_ day of \_\_\_\_\_ 2026

\_\_\_\_\_  
NOTARY PUBLIC

My Commission Expires: \_\_\_\_\_

**A CORPORATION**

BY: \_\_\_\_\_  
(Corporation Name) (State of Incorporation)

BY: \_\_\_\_\_ (SEAL)  
(Name and Title of Person Authorized to Sign and Signature)

ATTEST: \_\_\_\_\_  
(Secretary or Assistant Secretary and Signature)

North Carolina Contractor Registration Number: \_\_\_\_\_

Business Address: \_\_\_\_\_

Phone Number: \_\_\_\_\_

Subscribed and sworn to before me this \_\_\_\_ day of \_\_\_\_\_ 2026

\_\_\_\_\_  
NOTARY PUBLIC

My Commission Expires: \_\_\_\_\_

**A JOINT VENTURE**

BY: \_\_\_\_\_  
(Name and Signature)

Doing Business as: \_\_\_\_\_

North Carolina Contractor Registration Number: \_\_\_\_\_

Business Address: \_\_\_\_\_

Phone Number: \_\_\_\_\_

Subscribed and sworn to before me this \_\_\_\_ day of \_\_\_\_\_ 2026

\_\_\_\_\_  
NOTARY PUBLIC

My Commission Expires: \_\_\_\_\_

(Each joint venturer must sign. The name of signing for each individual, partnership, and corporation that is a party to the joint venture should be in the manner indicated above.)

## LIST OF SUBCONTRACTORS

In compliance with the Instructions to Bidders and the Supplementary Conditions, the undersigned submits the following names of Subcontractors to be used in performing the Work.

The Bidder certifies that all Subcontractors listed are eligible to perform the Work and that all Subcontractors performing more than five percent of the work are listed.

<u>Subcontractor's Name</u>	<u>Subcontractor's Work</u>	<u>% of Work</u>
_____	_____	%
_____	_____	%
_____	_____	%
_____	_____	%
_____	_____	%

\_\_\_\_\_  
Bidder's Signature

**BID BOND**

This is a Bid Bond that is subject to the provisions of Article 3 of Chapter 44A of the North Carolina General statutes.

This Bond is executed on \_\_\_\_\_, 20 \_\_\_\_ .

The name of the PRINCIPAL is \_\_\_\_\_ (1)

\_\_\_\_\_ (2)

The name of the SURETY is \_\_\_\_\_

\_\_\_\_\_

Fayetteville Public Works Commission, Fayetteville, North Carolina is the OWNER

The amount of the Bond is \_\_\_\_\_

\_\_\_\_\_ (Dollars) (\$ \_\_\_\_\_ )

KNOW BY ALL MEN BY THESE PRESENTS, the Principal and Surety above named are hereby held and firmly bound unto the above named OWNER hereinafter called the OWNER in the penal sum of the amount stated above in lawful money of the United States, for the payment of which, well and truly to be made, we hereby jointly and severally bind ourselves, our heirs, executors, administrators, successors and assigns.

The condition of the above obligation is such that whereas the Principal has submitted to the OWNER a certain Bid, attached hereto and hereby made a part hereof to enter into a Contract in writing, for the construction of:

**PWC2526084 - SUBSTATION EQUIPMENT SHED BUILDING**

NOW, THEREFORE

- (a) If said Bid shall be rejected, or in the alternate,
- (b) If said Bid shall be accepted and the Principal shall execute and deliver a Contract in the Form of Contract attached hereto (properly completed in accordance with said Bid) and shall furnish a bond for his faithful performance of said Contract, and for the payment of all persons performing labor or furnishing materials in connection therewith, and shall in all other respects perform the agreement created by the acceptance of said Bid, then this obligation shall be void, otherwise the same shall remain in force and effect; it being expressly understood and agreed that the liability of the Surety for any and all claims hereunder shall, in no event, exceed the penal amount of this obligation as herein stated.

The Surety, for value received, hereby stipulates and agrees that the obligations of said Surety and its Bond shall be in no way impaired or affected by any extension of the time within which the Owner may accept such Bid; and said Surety does hereby waive notice of any such extension.

IN WITNESS WHEREOF, the Principal and the Surety have hereunto set their hands and seals, and such of them as are corporations have caused their corporate seals to be hereto affixed and these presents to be signed by their proper officers, the day and year first set forth above.

ATTEST:

\_\_\_\_\_  
(Principal Secretary)  
(SEAL)

\_\_\_\_\_  
Principal

BY: \_\_\_\_\_

\_\_\_\_\_  
(Address)

\_\_\_\_\_  
Witness as to Principal

\_\_\_\_\_  
Surety

\_\_\_\_\_  
(Address)

\_\_\_\_\_  
(Address)

ATTEST:

\_\_\_\_\_  
N.C. Resident Agent  
(SEAL)

\_\_\_\_\_  
Witness as to Surety

\_\_\_\_\_  
(Address)

- (1) Correct name of Contractor
- (2) A Corporation, a Partnership or an Individual, as the case may be
- (3) If Contractor is a Partnership, all partners should execute Bond

**POWER OF ATTORNEY  
(Attach)**

**AFFIDAVIT OF ORGANIZATION AND AUTHORITY SWORN STATEMENT  
SUBSTATION EQUIPMENT SHED BUILDING**

STATE OF \_\_\_\_\_

COUNTY OF \_\_\_\_\_

\_\_\_\_\_ being the first duly sworn on oath deposes and says that the Bidder on the attached Bid Form is organized as indicated below and that all statements herein made are made on behalf of such Bidder and that this deponent is authorized to make them.

(Fill Out Applicable Paragraph)

**1. CORPORATION**

The bidder is a corporation organized and existing under the laws of the State of \_\_\_\_\_ and its President is \_\_\_\_\_, and its Secretary is \_\_\_\_\_, and does have a corporate seal. The \_\_\_\_\_ is authorized to sign construction Contract and Bids for the company by action of its Board of Directors taken \_\_\_\_\_, a certified copy of which is hereto attached. (Strike out last sentence if not applicable.)

**2. PARTNERSHIP**

The Bidder is a Partnership consisting of \_\_\_\_\_ and \_\_\_\_\_, partners doing business under the name of \_\_\_\_\_.

**3. SOLE TRADER**

The Bidder is an individual and if operating under a trade name, such trade name is as follows:  
\_\_\_\_\_

**4. ADDRESS**

The business address of the Bidder is as follows:

\_\_\_\_\_  
\_\_\_\_\_  
\_\_\_\_\_

Its phone number is \_\_\_\_\_

\_\_\_\_\_

Bidder

By: \_\_\_\_\_

## EQUAL EMPLOYMENT OPPORTUNITY

During the performance of this Contract the Contractor agrees as follows:

- a. The Contractor will not discriminate against any employee or applicant because of race, color, religion, sex, or national origin. The Contractor will take affirmative action to ensure that applicants are employed, and that employees are treated during employment, without regard to race, color, religion, sex, or national origin. Such action shall include but not be limited to the following: employment, upgrading, demotion, or transfer, recruitment or recruitment advertising, layoff or termination, rates of pay or other forms of compensation, and selection for training, including apprenticeship. The Contractor agrees to post in conspicuous places, available to employees and applicants for employment, notices setting forth the provisions of the nondiscrimination clause.
- b. The Contractor will, in all solicitations or advertisements for employees placed by or on behalf of the Contractor, state that all qualified applicants will receive consideration for employment without regard to race, color, religion, sex, or national origin.
- c. The Contractor will send to each labor union or representative of workers with which he has a collective bargaining agreement or other Contract understanding, a notice, to be provided, advising the labor union or worker's representative of the Contractor's commitments under the Equal Employment Opportunity Section of this Contract, and shall post copies of the notice in conspicuous places available to employees and applicants for employment.
- d. In the event of the Contractor's noncompliance with the nondiscrimination clauses of this Contract or with any of such rules, regulations, or orders, this Contract may be canceled, terminated, or suspended in whole or in part and the Contractor may be declared ineligible for further OWNER Contracts.
- e. The Contractor will include the provisions of this section in every subcontract or purchase order unless exempted by rules, regulations, or orders of the OWNER so that such provisions will be binding upon each Subcontractor or vendor.

(Use the following form for signatures by a CORPORATION):

\_\_\_\_\_  
Corporate Name

ATTEST:

\_\_\_\_\_  
(Assistant) Secretary

\_\_\_\_\_  
(Vice) President

(CORPORATE SEAL)

(Use the following form for signatures by and INDIVIDUAL):

BY: \_\_\_\_\_ (Seal)

WITNESS:

\_\_\_\_\_

(ACKNOWLEDGEMENT OF THE ABOVE SIGNATURE MUST BE NOTARIZED USING FORM ON FOLLOWING PAGE)

**NONDISCRIMINATION CLAUSE**

It is specifically agreed as part of the consideration of the signing of this Contract that the parties hereto, their agents, officials, employees or servants will not discriminate in any manner on the basis of age, handicap, race, color, creed, sexual orientation or national origin with reference to the subject matter of this Contract, no matter how remote.

This provision being incorporated for the benefit of Fayetteville Public Works Commission, Fayetteville, North Carolina and its residents may be enforced as set out in said ordinances, enforcement of this provision shall be by action for specific performance, injunctive relief, or other remedy as by law provided.

This provision shall be binding on the successors and assigns of the parties hereto with reference to the subject matter of this Contract.

(Use the following form for signatures by a CORPORATION):

\_\_\_\_\_  
Corporate Name

ATTEST:

\_\_\_\_\_  
(Assistant) Secretary

BY: \_\_\_\_\_  
(Vice) President

\_\_\_\_\_  
(Printed Name)

BY: \_\_\_\_\_  
(Printed Name)

(Corporate Seal)

(Use the following form for signatures by a PARTNERSHIP or INDIVIDUAL):

BY: \_\_\_\_\_(SEAL)

\_\_\_\_\_  
(Printed Name)

WITNESS:

\_\_\_\_\_  
\_\_\_\_\_  
(Printed Name)

**NON-COLLUSIVE AFFIDAVIT**

State of \_\_\_\_\_ )  
 )  
County of \_\_\_\_\_ )

\_\_\_\_\_ being first duly sworn,  
deposes and says that:

- (1) He is the \_\_\_\_\_  
(Owner, Partner, Officer, Representative or Agent)  
of \_\_\_\_\_ the BIDDER that has  
submitted the attached BID;
- (2) He is fully informed respecting the preparation and contents of the attached BID and of all  
pertinent circumstances respecting such BID;
- (3) Such BID is genuine and is not a collusive or sham BID;
- (4) Neither the said BIDDER nor any of its officers, partners, owners, agents, representatives,  
employees or parties in interest, including this affiant, have in any way colluded, conspired,  
connived or agreed, directly or indirectly, with any other BIDDER, firm, or person to submit  
a collusive or sham BID in connection with the Contract for which the attached BID has  
been submitted; or to refrain from bidding in connection with such Contract; or have in any  
manner, directly or indirectly, sought by agreement or collusion, or communication, or  
conference with any BIDDER, firm, or person to fix the price or prices in the attached BID  
or of any other BIDDER, or to fix any overhead, profit, or cost elements of the BID price  
or the BID price of any other BIDDER, or to secure through any collusion, conspiracy,  
connivance, or unlawful agreement any advantage against (Recipient), or any person  
interested in the proposed Contract;
- (5) The price or prices quoted in the attached BID are fair and proper and are not tainted by  
any collusion, conspiracy, connivance, or unlawful agreement on the part of the BIDDER  
or any other of its agents, representatives, owners, employees or parties in interest,  
including this affidavit.

BY \_\_\_\_\_  
ITS \_\_\_\_\_  
(Title)

Subscribed and sworn to before me this \_\_\_\_\_ day of \_\_\_\_\_, 20 \_\_\_\_ .

\_\_\_\_\_  
Notary Public

My Commission Expires:

\_\_\_\_\_  
END OF AFFIDAVIT

## F.T.A. CERTIFICATION REGARDING LOBBYING

Certification for Contracts, Grants, Loans, and Cooperative Agreements

*(To be submitted with each bid or offer exceeding \$100,000)*

The undersigned \_\_\_\_\_ certifies, to the best of his or her knowledge and belief, that:

- (1) No federal appropriated funds have been paid or will be paid, by or on behalf of the undersigned, to any person for influencing or attempting to influence an officer or employee of an agency, a member of Congress, an officer or employee of Congress, or an employee of a member of Congress in connection with the awarding of any federal contract, the making of any federal grant, the making of any federal loan, the entering into of any cooperative agreement, and the extension, continuation, renewal, amendment, or modification of any federal contract, grant, loan, or cooperative agreement.
- (2) If any funds other than federal appropriated funds have been paid or will be paid to any person for making lobbying contacts to an officer or employee of any agency, a member of Congress, an officer or employee of Congress, or an employee of a member of Congress in connection with this federal contract, grant, loan, or cooperative agreement, the undersigned shall complete and submit Standard Form--LLL, "Disclosure Form to Report Lobbying," in accordance with its instructions [as amended by "Government wide Guidance for New Restrictions on Lobbying," 61 Fed. Reg. 1413 (1/19/96). Note: Language in paragraph (2) herein has been modified in accordance with Section 10 of the Lobbying Disclosure Act of 1995 (P.L. 104-65, to be codified at 2 U.S.C. 1601, *et seq.* .)]
- (3) The undersigned shall require that the language of this certification be included in the award documents for all subawards at all tiers (including subcontracts, subgrants, and contracts under grants, loans, and cooperative agreements) and that all subrecipients shall certify and disclose accordingly.

This certification is a material representation of fact upon which reliance was placed when this transaction was made or entered into. Submission of this certification is a prerequisite for making or entering into this transaction imposed by 31, U.S.C. § 1352 (as amended by the Lobbying Disclosure Act of 1995). Any person who fails to file the required certification shall be subject to a civil penalty of not less than \$10,000 and not more than \$100,000 for each such failure.

[Note: Pursuant to 31 U.S.C. § 1352(c)(1)-(2)(A), any person who makes a prohibited expenditure or fails to file or amend a required certification or disclosure form shall be subject to a civil penalty of not less than \$10,000 and not more than \$100,000 for each such expenditure or failure.]

The Contractor, \_\_\_\_\_, certifies or affirms the truthfulness and accuracy of each statement of its certification and disclosure, if any. In addition, the Contractor understands and agrees that the provisions of 31 U.S.C. A 3801, *et seq.*, *apply* to this certification and disclosure, if any.

\_\_\_\_\_ Signature of Contractor's Authorized Official

\_\_\_\_\_ Name and Title of Contractor's Authorized Official

\_\_\_\_\_ Date

**CERTIFICATION OF PRIMARY PARTICIPANT REGARDING DEBARMENT,  
SUSPENSION AND OTHER RESPONSIBILITY MATTERS**

The Primary Participant, \_\_\_\_\_ (major third party contractor), certifies to the best of its knowledge and belief, that it and its principals:

1. Are not presently debarred, suspended, proposed for debarment, declared ineligible, or voluntarily excluded from covered transactions by any Federal department or agency;
2. Have not within a three-year period preceding this proposal been convicted of or had a civil judgment rendered against them for commission of fraud or a criminal offense in connection with obtaining, attempting to obtain, or performing a public (Federal, State or local) transaction or contract under a public transaction; violation of Federal or State antitrust statutes or commission of embezzlement, theft, forgery, bribery, falsification or destruction of records, making false statements, or receiving stolen property;
3. Are not presently indicted for or otherwise criminally or civilly charged by a governmental entity (Federal, State or local) with commission of any of the offenses enumerated in paragraph (2) of this certification; and
4. Have not within a three-year period preceding this application/proposal had one or more public transactions (Federal, State or local) terminated for cause or default.

(If the primary participant is unable to certify to any of the statements in this certification, the participant shall attach an explanation to this certification.)

THE PRIMARY PARTICIPANT \_\_\_\_\_ CERTIFIES OR AFFIRMS THE TRUTHFULNESS AND ACCURACY OF THE CONTENTS OF THE STATEMENTS SUBMITTED ON OR WITH THIS CERTIFICATION AND UNDERSTANDS THAT THE PROVISIONS OF 31 U.S.C. SECTIONS 3801 ET. SEQ. ARE APPLICABLE THERETO.

\_\_\_\_\_  
Signature

\_\_\_\_\_  
Title

\_\_\_\_\_  
Printed Name

\_\_\_\_\_  
Date

**\*\*\* THIS PAGE WAS INTENTIONALLY LEFT BLANK\*\*\***

# SMALL AND DISADVANTAGED BUSINESS ENTERPRISE PROGRAM

## FAYETTEVILLE PUBLIC WORKS COMMISSION'S SDBE COMPLIANCE PROVISIONS

### APPLICATION:

The requirements of Fayetteville Public Works Commission (PWC) Small Disadvantaged Business Enterprise Policy for participation in specific contracts are hereby made part of the Contract Documents. Copies of the Policy may be obtained from:

Fayetteville Public Works Commission  
Economic Impact Program  
P.O. Box 1089  
Fayetteville, North Carolina 28302  
Phone (910) 223-4016 Fax (910) 483-1429  
E-mail: [eiprogram@faypwc.com](mailto:eiprogram@faypwc.com)

NCDOT DBE Directory: [www.ebs.nc.gov/VendorDirectory](http://www.ebs.nc.gov/VendorDirectory)

HUB Directory: <https://ncadmin.nc.gov/businesses/hub>

### **SDBE Compliance Requirements:**

1. The Bidder shall provide, with their Bid Form, at the time bids are due, the documents set forth below, properly executed. Returning executed copies indicates and establishes that the Bidder understands and agrees to any incorporated SDBE contract provisions.
2. All Bidders must provide, with their Bid Form, at the time bids are due, a properly completed and executed copy of **either:**
  - Affidavit A – Listing of Good-Faith Efforts **OR**
  - Affidavit B – Intent to Self-Perform with Own Workforce.<sup>1</sup>

**Note:** Affidavit B should **only** be used if the Contractor will perform **ALL Elements** of the Work on this project with their own forces **AND** will complete **ALL Elements** of this project **WITHOUT** the use of subcontractors, material suppliers, or providers of professional services.
3. Upon being identified as the apparent lowest responsive, responsible Bidder, a Bidder shall, within twenty-four (24) hours of PWC's notification provide a properly completed and executed copy of **either:**
  - Affidavit C – Percentage of SDBE Participation **OR**
  - Affidavit D – Good-Faith Efforts.
4. All Bidders must provide with their Bid Form, at the time bids are due, a properly completed and executed copy of Affidavit E- Identification of SDBE/Local Participation Form

## SMALL AND DISADVANTAGED BUSINESS ENTERPRISE PROGRAM

All written statements, certifications, or intentions made by the Bidder shall become a part of the agreement between the Contractor and Fayetteville Public Works Commission for performance of this contract.

### **SUBCONTRACTOR PAYMENT REQUIREMENTS:**

North Carolina General Statutes (N.C.G.S.) 143-134.1 states that the percentage of retainage on payments made by the prime contractor to the subcontractor shall not exceed the percentage of retainage on payments made by the Fayetteville Public Works Commission to the prime contractor. Failure to comply with this provision shall be considered a breach of the contract, and the contract may be terminated in accordance with the termination provisions of the contract.

The Contractor shall provide an itemized statement of payments to each SDBE subcontractor before final payment is processed.

The Contractor shall provide an itemized statement of payments to each NON-SDBE subcontractor before final payment is processed.

---

Contractor

---

Signature

---

Printed Name

---

Title

---

Date

# SMALL AND DISADVANTAGED BUSINESS ENTERPRISE PROGRAM

## Affidavit A: Listing of the Good Faith Efforts

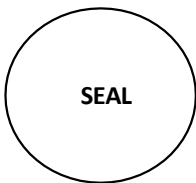
Affidavit of \_\_\_\_\_  
 (Name of Bidder)

**I have made a good faith effort to comply under the following areas checked:**

<b>Total Available GFE Points: 155</b>		<b>Expected Number GFE Points <span style="color: red;">Required: 50</span></b>
Points		
10		Contacting small-disadvantaged businesses (SDBE) that reasonably could have been expected to submit a quote and that were known to the contractor or available on Federal, State, or local government-maintained lists at least 10 days before the bid or proposal date, and notifying them of the nature and scope of the work to be performed.
10		Making the construction plans, scope of work, specifications, or requirements available for review by prospective SDBE or providing these documents to them at least 10 days before the bid or proposals are due.
15		Breaking down or combining elements of work into economically feasible units to facilitate SDBE participation.
10		Working with SDBE trade, community, or contractor organizations identified by the U.S. Small Business Administration, N.C. Office for Historically Underutilized Businesses, or N.C. Department of Transportation, and included in the bid documents that provide assistance in the recruitment of small, disadvantaged businesses.
10		Attending any pre-bid meetings scheduled by the public owner.
20		Providing assistance in getting required bonding or insurance, or providing alternatives to bonding or insurance for subcontractors.
15		Negotiating in good faith with interested SDBEs and not rejecting them as unqualified without sound reasons based on their capabilities. Any rejection of an SDBE based on a lack of qualification should have the reasons documented in writing.
25		Providing assistance to an otherwise qualified SDBEs in need of equipment, loan capital, lines of credit, or joint pay agreements to secure loans, supplies, or letters of credit, including waiving credit that is ordinarily required. Assisting SDBEs in obtaining the same unit pricing with the bidder's suppliers in order to help SDBEs in establishing credit.
20		Negotiating joint venture and partnership arrangements with small, disadvantaged businesses to increase opportunities for SDBE participation on a public construction or repair project when possible.
20		Providing quick pay agreements and policies to enable SDBE contractors and suppliers to meet cash-flow demands.
<b>Total GFE Points (Claimed by Bidder):</b>		<b>Total GFE Points (Assessed by PWC):</b>

In accordance with PWC's SDBE Policy and Program Plan, the undersigned will enter into a formal agreement with the firms listed in the Identification of Small Disadvantaged Business Participation schedule, conditional upon execution of a contract with the Owner. Failure to abide by any applicable statutory provision may constitute a breach of the contract. The undersigned hereby certifies that he or she has read the terms of the SDBE business commitment and is authorized to bind the Bidder to the commitment herein set forth.

Date: \_\_\_\_\_ Name of Authorized Officer: \_\_\_\_\_



State of North Carolina, County of \_\_\_\_\_

Subscribed and sworn to before me this \_\_\_\_\_ day of 20\_\_

Notary Public \_\_\_\_\_

My commission expires \_\_\_\_\_

**SMALL AND DISADVANTAGED BUSINESS ENTERPRISE PROGRAM**

**Affidavit B: Intent to Perform Contract with Own Workforce**

Affidavit of \_\_\_\_\_  
(Name of Bidder)

**I hereby certify that it is our intent to perform 100% of the work required for the contract:**

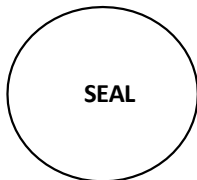
\_\_\_\_\_  
(Name of Project)

In making this certification, the Bidder states that the Bidder does not customarily subcontract elements of this type project, and normally performs and has the capability to perform and will perform **all elements of the work** on this project with his/her own current workforces; and will complete all elements of this project **without** the use of subcontractors, material suppliers, or providers of professional services.

The Bidder agrees to provide any additional information or documentation requested by the Owner in support of the above statement.

The undersigned hereby certifies that he or she has read this certification and is authorized to bind the Bidder to the commitments herein contained.

Date: \_\_\_\_\_ Name of Authorized Officer: \_\_\_\_\_



State of North Carolina, County of \_\_\_\_\_

Subscribed and sworn to before me this \_\_\_\_\_ day of 20\_\_

Notary Public \_\_\_\_\_

My commission expires \_\_\_\_\_

# SMALL AND DISADVANTAGED BUSINESS ENTERPRISE PROGRAM

## Affidavit C: Percentage of SDBE Participation

Affidavit of \_\_\_\_\_  
(Name of Bidder)

I hereby certify that on contract: \_\_\_\_\_  
(Name of Project)

\$ \_\_\_\_\_  
(Dollar Amount of Total Bid)

I will expend a minimum of \_\_\_\_\_% of the total dollar amount of the contract with Small Disadvantaged Business Enterprises (SDBE). SDBEs will be employed as subcontractors, vendors, or providers of professional services. Such work will be subcontracted to the following firms listed below.

<u>Name, Address, &amp; Phone No.</u>	<u>*SDBE/Certifying Agency</u>	<u>NAICS</u>	<u>Dollar Value</u>	<u>% of Contract</u>

\*SDBE categories: Black-African Americans (B), Hispanic-Americans (H), Asian- Americans (A), Native-Americans (I), Women (F), Socially/Economically Disadvantaged (D), Small (S)  
 \*Certifying Agencies: NC DOA (HUB), NC DOT (DBE), U.S. SBA

**SMALL AND DISADVANTAGED BUSINESS ENTERPRISE PROGRAM**

Pursuant to NCGS 143-128.2(d), the undersigned will enter into a formal agreement with SDBEs for work listed in this schedule, conditional upon execution of a contract with the Owner. Failure to fulfill this commitment may constitute a breach of the contract.

The undersigned hereby certifies that he or she has read the terms of this commitment and is authorized to bind the Bidder to the commitment herein set forth.

Date: \_\_\_\_\_ Name of Authorized Officer: \_\_\_\_\_



State of North Carolina, County of \_\_\_\_\_

Subscribed and sworn to before me this \_\_\_\_\_ day of 20\_\_

Notary Public \_\_\_\_\_

My commission expires \_\_\_\_\_

# SMALL AND DISADVANTAGED BUSINESS ENTERPRISE PROGRAM

## Affidavit D: Good Faith Efforts

If the Owner determines, using reasonable discretion, that Affidavit C is insufficient, Bidder agrees to provide the following information regarding any good-faith efforts.

<u>Name, Address, &amp; Phone No.</u>	<u>*SDBE Category</u>	<u>NAICS</u>	<u>Dollar Value</u>

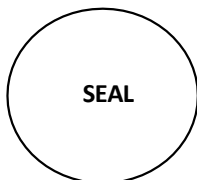
\*SDBE categories: Black-African Americans (B), Hispanic-Americans (H), Asian- Americans (A), Native-Americans (I), Women (F), Socially/Economically Disadvantaged (D)

Bidder may be requested to provide documentation of the Bidder’s good-faith efforts. Examples of documentation may include the following:

- a. Copies of solicitations for quotes to SDBEs. Each solicitation may include a specific description of the work to be subcontracted, the location where bid documents can be reviewed, the representative of the Prime Bidder to contact, and the location, date, and time when quotes must be received.
- b. Copies of quotes or responses received from each firm responding to the solicitation.
- c. A telephone log of follow-up calls to each firm sent a solicitation.
- d. For subcontracts where an SDBE is not considered the lowest responsible sub-bidder, copies of quotes received from all firms submitting quotes for that particular subcontract.
- e. Documentation of any contacts or correspondence to SDBE, community or contractor organizations in an attempt to meet the goal.
- f. Copy of pre-bid roster.
- g. Letter documenting efforts to provide assistance in obtaining required bonding or insurance for SDBEs.
- h. Letter detailing reasons for rejection of an SDBE due to lack of qualification.
- i. Letter documenting proposed assistance offered to SDBEs in need of equipment, loan capital, lines of credit, or joint pay agreements to secure loans, supplies, or letters of credit, including waiving credit that is ordinarily required.

Failure to provide the documentation listed in these provisions may result in rejection of the bid and award to the next lowest responsible and responsive Bidder.

Date: \_\_\_\_\_ Name of Authorized Officer: \_\_\_\_\_



State of North Carolina, County of \_\_\_\_\_  
 Subscribed and sworn to before me this \_\_\_\_\_ day of 20\_\_\_\_  
 Notary Public \_\_\_\_\_  
 My commission expires \_\_\_\_\_

# SMALL AND DISADVANTAGED BUSINESS ENTERPRISE PROGRAM

## Affidavit E: Identification of SDBE/Local Participation

\_\_\_\_\_ (Name of Bidder)

I hereby certify that on contract: \_\_\_\_\_

(Name of Project)

We will use the following Small Disadvantaged Business Enterprises (SDBE), and Local (Cumberland, Hoke, Harnett County) as construction subcontractors, vendors, suppliers, or providers of professional or general services.

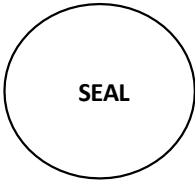
<u>Name, Address, &amp; Phone No.</u>	<u>*SDBE Category / **Local</u>	<u>NAICS</u>	<u>Dollar Value</u>

\*SDBE categories: Black-African Americans (B), Hispanic-Americans (H), Asian- Americans (A), Native-Americans (I), Women (F), Socially/Economically Disadvantaged (D)

\*\*Local: Fayetteville Metropolitan Statistical Area (MSA) comprising Cumberland County, Hoke County, and Harnett County. PWC is requesting this information for reporting purposes only, and the use of local entities will not be considered for compliance with the requirements of the SDBE Policy.

The total value of SDBE/local business contracting will be \$ \_\_\_\_\_

Date: \_\_\_\_\_ Name of Authorized Officer: \_\_\_\_\_



State of North Carolina, County of \_\_\_\_\_  
 Subscribed and sworn to before me this \_\_\_\_\_ day of 20\_\_\_\_  
 Notary Public \_\_\_\_\_  
 My commission expires \_\_\_\_\_

**SMALL AND DISADVANTAGED BUSINESS ENTERPRISE PROGRAM**

**FAYETTEVILLE PUBLIC WORKS COMMISSION  
SDBE ADD / CHANGE FORM**

If a SDBE subcontractor fails to complete work under the subcontract for any reason, the recipient must require the prime contractor to employ the good faith efforts set forth in the SDBE Policy if soliciting a replacement or additional subcontractor.

**For SDBE Change Request, please provide all information below:**

Prime Contractor: \_\_\_\_\_

Subcontracted Work: \_\_\_\_\_

Previous Subcontractor: \_\_\_\_\_

Reason this for change request:  
\_\_\_\_\_

New Subcontractor: \_\_\_\_\_ SDBE Category: \_\_\_\_\_

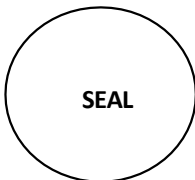
**To Add SDBE Subcontractor/Subcontracted work:**

If this is a new trade being subcontracted or a subcontractor that was not documented in the original Project Bid Information submittal, then good faith efforts to solicit an SDBE must be documented, as the original SDBE instructions indicate. Please provide all good faith efforts below showing all the SDBE firms contacted to perform this work, along with any additional good faith efforts or evidence that there are not reasonably available firms in the work area. PWC's SDBE Policy requires that good faith efforts are to be carried out to the fullest extent practicable. If solicitations were not carried out due to being impracticable, please attach this explanation to this form.

Name, Address, & Contact Information	SBE or DBE and Certifying agency	How was this firm contacted (email, letter, or Phone), and what was the result of the solicitation? *

\*Must submit copies of emails or letters. If phone calls were made, this sheet can serve as documentation of calls

Date: \_\_\_\_\_ Name of Authorized Officer: \_\_\_\_\_



State of North Carolina, County of \_\_\_\_\_

Subscribed and sworn to before me this \_\_\_\_\_ day of 20\_\_

Notary Public \_\_\_\_\_

My commission expires \_\_\_\_\_

## SMALL AND DISADVANTAGED BUSINESS (SDBE), SMALL LOCAL SUPPLIER (SLS), AND LOCAL BUSINESS DISCLOSURE FORM

Prime Contractor: \_\_\_\_\_  
 Address & Phone: \_\_\_\_\_  
 Project: \_\_\_\_\_  
 Name: \_\_\_\_\_  
 Pay Application # \_\_\_\_\_

Please complete the form below by providing the necessary information for the payments made to each subcontractor, vendor, or supplier for the work associated with the identified contractor application for payment. This form must be fully completed and attached to each contractor application for payment.

Firm Name	SDBE, SLS, or Local	Construction Trade or Supplies	Payment Amount
<i>Ex. ABC Company</i>	<i>SDBE – NC HUB M</i>	<i>Hauling</i>	<i>\$25,000.00</i>
<i>Ex. DEF Enterprise</i>	<i>SLS – PWC</i>	<i>Paint</i>	<i>\$600.00</i>
<i>Ex. GHI Incorporated</i>	<i>Local – Fayetteville</i>	<i>Tire Repair</i>	<i>\$2,000.00</i>

\_\_\_\_\_  
Signature

\_\_\_\_\_  
Printed Name

\_\_\_\_\_  
Title

\_\_\_\_\_  
Date

**SECTION B - CONTRACT EXECUTION DOCUMENTS**

**\*\*\* THIS PAGE WAS INTENTIONALLY LEFT BLANK \*\*\***

**NOTICE OF AWARD**

TO: \_\_\_\_\_  
\_\_\_\_\_  
\_\_\_\_\_

**PROJECT DESCRIPTION: PWC2526084 - SUBSTATION EQUIPMENT SHED BUILDING**

The OWNER has considered the BID submitted by you for the above described work in response to its Advertisement for Bids dated \_\_\_\_\_ and Instructions to Bidders.

You are hereby notified that your BID has been accepted for items in the amount of \$ \_\_\_\_\_.

You are required by the Instructions to Bidders to execute the Agreement and furnish the required Performance Bond, Payment Bond, and Certificates of Insurance within ten (10) calendar days from the date of this NOTICE to you.

If you fail to execute said Agreement and to furnish said Bonds within ten (10) days from the date of this Notice, said Owner will be entitled to consider all your rights arising out of the OWNER's acceptance of your BID as abandoned and as a forfeiture of your Bid Bond. The Owner will be entitled to such other rights as may be granted by law.

You are required to return an acknowledged copy of this NOTICE OF AWARD to the OWNER.

Dated this \_\_\_\_\_ day of \_\_\_\_\_, 2026.

**OWNER: FAYETTEVILLE PUBLIC WORKS COMMISSION  
FAYETTEVILLE, NC**

**BY: Nikole Bohannon  
TITLE: Procurement Manager**

**ACCEPTANCE OF AWARD  
PWC2526084 - SUBSTATION EQUIPMENT SHED BUILDING**

Receipt of the preceding NOTICE OF AWARD is hereby acknowledged this the \_\_\_\_\_  
day of \_\_\_\_\_, 2026.

(CONTRACTOR)

By: \_\_\_\_\_

Title: \_\_\_\_\_

- END OF SECTION -

State of North Carolina  
Cumberland County

## CONSTRUCTION AGREEMENT

THIS CONSTRUCTION AGREEMENT (“Agreement” or “Contract”) is made by and between the Fayetteville Public Works Commission (“PWC”), a North Carolina public authority, and [REDACTED] [PER THE CHARTER (SEE SEC 6A.20), THE CONSTRUCTION CONTRACT, IF MORE THAN \$500K, MUST BE BETWEEN THE CITY (BY AND THROUGH PWC) AND THE CONTRACTOR], (“Contractor”), a [REDACTED] registered to do business in North Carolina (each of PWC and Contractor is a “Party” and both are collectively the “Parties”) as of the date of execution last written below (the “Effective Date”). The Parties agree as follows:

1. The Construction Project. Contractor shall furnish and bear solely the entire cost of all labor and materials necessary for the construction and/or renovation of the Project (defined hereinbelow) as specified in the Contract Documents (defined hereinbelow) and complete all Work on the Project in a Workmanlike manner in strict accordance with the Contract Documents, schedule delivery of the new materials, furnish and bear solely the entire cost of all supervision, contract administration, equipment, tools, and other means necessary to complete the Project, perform every obligation imposed by the Contract Documents, and be solely responsible for the clean-up and disposal of all materials and debris relating to or arising from the construction and renovation, subject to any exceptions that are specifically set forth in the Contract Documents. Except as otherwise specifically provided in the Contract Documents, Contractor is solely responsible for all construction means, methods, techniques, sequences, procedures, safety precautions or programs, supervising, coordinating, and performing all the Work necessary to complete the Project; provided, however, PWC shall have the right, without incurring any liability to the Contractor, to suspend Contractor’s performance when a PWC employee, in his or her opinion, observes a safety violation involving a threat to life or imminent danger of bodily injury, and the suspension shall remain in effect until Contractor remedies the safety violation.

2. Terms. Capitalized terms used in this Agreement have the meaning specified below:

“Business Day” means each calendar day that is not a Saturday, Sunday, holiday observed by the federal government for its employees, or holiday observed by the State of North Carolina for its employees.

“Completion of the Project” means: (i) the Project is completed in accordance with this Agreement, except for punch list items; (ii) PWC has received any required temporary or final certificate of occupancy from the governmental agency with jurisdiction over the Project; and (iii) the registered architects or engineers (the “Designer(s)”) who designed portions or components of the Project have issued certificates of Completion of the Project as to those portions or components.

“Contract Documents” means the following documents that were either made available to Contractor by PWC during the bid solicitation process (including Drawings) or executed by the Parties or both, which are all incorporated by reference herein:

- a. This Agreement
- b. General Conditions
- c. Bid Submittal Documents
- d. Contractor's Submitted Bid
- e. Bid Bond
- f. [Form of Exceptions]
- g. Notice of Award
- h. Acceptance of Award
- i. Performance Bond
- j. Payment Bond
- k. Copy of General Contractor's License
- l. Power of Attorney
- m. Certificate of Insurance
- n. Section C – Administrative Provisions
- o. Section D - Technical Specifications
- p. [Additional Specifications]
- q. [Appendices]

The following documents may be delivered or issued on or after the Effective Date of the Agreement and may not be attached to this Agreement, but are considered Contract Documents when executed by the Parties:

- r. Notice to Proceed and Acceptance of Notice
- s. Work Change Directive(s)
- t. Change Order(s)
- u. Field Order(s)

There are no Contract Documents other than those identified in this Agreement. The Contract Documents may only be amended, modified, or supplemented as provided in this Agreement in a writing signed by the Parties.

"Fault" means a breach of contract by Contractor, negligent, reckless, or intentional act(s) or omission(s) constituting a tort under applicable statutes or common law by one or more Responsible Persons, or violation(s) of applicable statute(s) or regulation(s) by a Responsible Person.

"Project" means \_\_\_\_\_, as more specifically set forth in the Contract Documents.

"Responsible Person" means the Contractor and each of its employees, agents, representatives, subcontractors, or other persons and entities for which Contractor may be liable or responsible as a result of any statutory, tort, or contractual duty.

The terms used in this Agreement shall have the meaning as stated herein and in the General Conditions. In the event of a conflict between the terms of this Agreement and any other component(s) of the Contract Documents, the terms of this Agreement shall govern.

3. Contract Price. PWC shall pay Contractor for Completion of the Project in accordance with the Contract Documents the amount identified in the accepted Bid Form of

Contractor, being in the total amount of \$ [REDACTED] (the "Price"). Contractor understands and acknowledges that the Price is derived from a specific appropriation of funds provided for the Project. Contractor agrees and acknowledges the Price is equal to the aggregate cost of all Work to be done on the Project, including all labor, materials, equipment, apparatus, and supplies, set in accordance with the amount specified on the Bid Form submitted by Contractor and accepted by PWC.

4. Contract Times. The Parties shall perform their obligations under this Agreement in compliance with all scheduling deadlines set forth in the Contract Documents. The Contractor shall commence the Work to be performed under this Agreement on a date to be specified in accordance with the Notice to Proceed issued by PWC. Contractor shall achieve Completion of the Project no later than **360 consecutive calendar days** from said date plus any modifications thereof allowed in accordance with the Contract Documents (the "Completion Date").

5. Payment. PWC shall pay Contractor in installment payments plus a final payment, as set forth in the Contract Documents. For each applicable installment payment, Contractor shall submit an application for payment in accordance with the Contract Documents. An application for payment will be processed by PWC as provided in the Contract Documents. Such installment payments shall reflect the actual Cost of the Work, not to exceed in total the Price, and the allocable portion of the total Price for said installment. PWC shall make payment to the Contractor, less any applicable retainage set forth in the Contract Documents; provided, however, that PWC may withhold all or a portion of a payment on account of (1) incomplete Work, (2) defective or nonconforming Work, (3) claims filed or a reasonable basis to believe that such claims will be filed imminently, (4) failure of the Contractor to make payments properly for labor, services, materials, equipment or subcontracts, (5) damages caused to PWC or another party by one or more Responsible Persons, or (6) failure to comply with the terms and conditions of this Agreement. In the final payment, PWC shall pay the balance of the Price, including all retained amounts, less any Liquidated Damages and other applicable damage and claim amounts, to Contractor within forty-five (45) days of Completion of the Project; provided, however, that PWC may withhold a reasonable sum from the final payment to ensure correction of any final items or condition on the Project.

6. Retainage. Subject to any restrictions applicable to any federal grant funds that may be utilized for the Project, PWC may, in its discretion, retain up to five percent (5%) of any periodic payment due Contractor; provided, however, when the Project is fifty percent (50%) complete, PWC, with written consent of the surety, shall not retain any further retainage from periodic payments due Contractor if Contractor continues to perform satisfactorily and any nonconforming Work identified in writing prior to that time by PWC or the Designer has been corrected by Contractor and accepted by PWC or the Designer, and provided further that full payment, less authorized deductions, shall also be made for those line item trades that have reached one hundred percent (100%) completion of their contract obligations by or before the Project is fifty percent (50%) complete if Contractor has performed satisfactorily in accordance with G.S. 143-134.1(b2), contingent upon PWC's receipt of an approval or certification from the Designer that the Work performed by the subcontractor is acceptable and in accordance with the Contract Documents. If PWC determines Contractor's performance is unsatisfactory, PWC may, in its discretion, reinstate retainage for each subsequent periodic application for payment as authorized in this Section up to the maximum amount of five percent (5%). The Project shall be deemed fifty percent (50%) complete when Contractor's gross project invoices, excluding the value of materials stored off-site, equal or exceed fifty percent (50%) of the Price, except the value of materials stored on-site shall not exceed twenty percent (20%) of Contractor's gross project invoices for the purpose of determining whether the Project is fifty percent (50%)

complete. Within 60 days after the submission of a pay request and one of the following occurs, as specified in the Contract Documents, PWC, with written consent of the surety, shall release to Contractor all retainage on payments held by PWC: (i) PWC receives a certificate of Substantial Completion from the Designer in charge of the Project; or (ii) PWC receives beneficial occupancy or use of the Project; provided, however, PWC may in its discretion retain sufficient funds to secure Completion of the Project or corrections on any Work. If PWC retains funds, the amount retained shall not exceed two and one-half times the estimated value of the Work to be completed or corrected. Any reduction in the amount of the retainage on payments shall be with the consent of Contractor's surety. The existence of any third-party claims against Contractor or any additive change orders to the Construction Documents shall not be a basis for delaying the release of any retainage on payments. Notwithstanding anything in this Section to the contrary, following fifty percent (50%) completion of the Project, PWC shall be authorized to withhold additional retainage from a subsequent periodic payment, not to exceed five percent (5%), in order to allow PWC to retain two and one-half percent (2.5%) total retainage through the Completion of the Project. In the event that PWC elects to withhold additional retainage on any periodic payment subsequent to release of retainage on a line-item of Work pursuant to G.S. 143-134.1(b2), Contractor may also withhold from the subcontractors remaining on the project sufficient retainage to offset the additional retainage held by PWC, notwithstanding the actual percentage of retainage withheld by PWC of the Project as a whole. Neither PWC's nor Contractor's release of retainage on payments as part of a payment in full on a line-item of Work pursuant to G.S. 143-134.1(b2) shall affect any applicable warranties on Work done by Contractor or subcontractor, and the warranties shall not begin to run any earlier than either PWC's receipt of a certificate of Substantial Completion from the Designer in charge of the Project or PWC receives beneficial occupancy.

7. Liquidated Damages. Time is of the essence with respect to performance of each of the Parties' obligations under this Agreement. Contractor recognizes and acknowledges that PWC will suffer financial and other losses if the Project is not completed by the Completion Date. The Parties recognize and agree that the delays, expense, and difficulties involved in proving in a legal or arbitration proceeding the actual loss suffered by PWC if the Project is not completed by the Completion Date. Accordingly, instead of requiring any such proof, Contractor and PWC agree that in the event Contractor fails to achieve Completion of the Project by the Completion Date, Contractor shall pay to PWC as liquidated damages to compensate PWC for damages related to the delayed Completion of the Project one thousand dollars (\$1000.00) per day ("Liquidated Damages") for each calendar day Contractor fails to achieve Completion of the Project by the Completion Date.

8. Contractor's Representations and Warranties. In order to induce PWC to enter into this Agreement, Contractor makes the following representations and warranties to PWC:

a. Contractor is duly licensed in the State of North Carolina to complete all Work necessary for the Project, is duly organized, validly existing and in good standing and has all requisite powers, rights, and authority to execute, enter into, and perform this Agreement in accordance with the terms and conditions of this Agreement, and this Agreement constitutes a legal, valid, and binding obligation of Contractor enforceable against it in accordance with its terms.

b. Contractor has read the Contract Documents, and acknowledges and understands all data, materials, specifications, and requirements identified in the Contract Documents.

c. Contractor has visited the site for the Project, conducted a thorough, visual examination of the site and adjacent areas, and become familiar with and is satisfied as to the general, local, and site conditions that may affect cost, progress, and performance in completing the Project. Contractor is familiar with and is satisfied as to all laws and regulations that may affect cost, progress, and performance to complete the Project.

d. Contractor has carefully studied all: (1) reports of explorations and tests of subsurface conditions at or adjacent to the site and all drawings of physical conditions relating to existing surface or subsurface structures at the site that have been identified in the Contract Documents and any accompanying reports and drawings, and (2) reports and drawings relating to hazardous environmental conditions, if any, at or adjacent to the site that have been identified in the Contract Documents and any accompanying reports and drawings.

e. Contractor has considered the information known to Contractor itself; information commonly known to contractors doing business in the locality of the Site; information and observations obtained from visits to the Site; the Contract Documents; and the Site-related reports and drawings identified in the Contract Documents, if any, with respect to the effect of such information, observations, and documents on (1) the cost, progress, and performance of the Work; (2) the means, methods, techniques, sequences, and procedures of construction to be employed by Contractor; and (3) Contractor's safety precautions and programs.

f. Based on the information and observations referred to in subsection e. of this Section, Contractor agrees that no further examinations, investigations, explorations, tests, studies, or data are necessary for the performance of the Work at the Price commencing on the commencement date and in accordance with the other terms and conditions of the Contract.

g. Contractor is aware of the general nature of Work to be performed by PWC and others at the Site that relates to the Work as indicated in the Contract Documents.

h. Contractor has given PWC's Designer written notice of all conflicts, errors, ambiguities, or discrepancies that Contractor has discovered in the Contract Documents, and the written resolution thereof by the Designer is acceptable to Contractor.

i. The Contract Documents are generally sufficient to indicate and convey understanding of all terms and conditions for performance and furnishing of the Work.

j. Contractor's entry into this Agreement constitutes an incontrovertible representation by Contractor that, without exception, all prices in the Agreement are premised upon performing and furnishing the Work required by the Contract Documents.

k. Contractor has no business or personal relationship with any PWC Commissioner, officer, director, manager, or supervisor and Contractor covenants to disclose immediately to PWC any such relationship that develops

during the performance of Work on the Project.

9. Contractor's Payment Obligations. Contractor shall pay all of its obligations arising out of or in connection with the Project in a timely manner to all persons supplying materials in the prosecution of the Work and to all laborers and others employed thereon.

10. Performance and Payment Bonds. Contractor shall obtain and deliver to PWC a performance bond in the amount of one hundred percent (100%) of the Price, conditioned upon the faithful performance of the Project and all Work in accordance with the Contract Documents, which bond shall be solely for the protection of PWC. Contractor shall obtain and deliver to PWC a payment bond in the amount of one hundred percent (100%) of the Price, conditioned upon the prompt payment for all labor or materials for which the Contractor or one or more of its subcontractors is liable, which payment bond shall be solely for the protection of the persons furnishing materials or performing labor for which the Contractor is liable. The performance bond and the payment bond shall be executed by one or more surety companies legally authorized to do business in the State of North Carolina, shall become effective upon the awarding of the construction contract by PWC to Contractor, and shall at all times comply with the requirements set forth in Article 3 of North Carolina General Statutes Chapter 44A. In the event PWC deems the surety or sureties upon any bond necessary for this Agreement and the completion of the Project, or if for any reason, such bond ceases to be adequate to cover the performance and/or payment of the Work, Contractor shall, at its expense, within five (5) days after the receipt of notice from PWC, furnish an additional bond or bonds in such form and amount, and with such surety or sureties as shall be satisfactory to PWC. In such event no further payment to Contractor shall be deemed to be due under this Agreement until new or additional security for the performance and payment of the Project shall be furnished in manner and form satisfactory to PWC. Contractor understands and acknowledges that PWC, as a public authority, is not subject to the provisions of Articles 1 and 2 of Chapter 44A of the General Statutes, in accordance with G.S. 44A-34 and applicable law.

11. Contractor's Damage Repair Obligations. Contractor shall be responsible for all damages to the property of the City of Fayetteville and of PWC that may result from the normal procedure of a Responsible Person's actions in the prosecution of the Work or that may be caused by or result from the negligence of a Responsible Person during the progress of or connected with the prosecution of the Work, whether within the limits of the Work or elsewhere. Contractor shall promptly restore all such property so damaged to a condition as good as it was immediately prior to Contractor initiating the Work on the Project.

12. Defective Work. The Project shall be subject to observation and approval by PWC, Designer, and representatives of governmental agencies with jurisdiction over the Project. PWC and Designer shall be entitled to enter at all reasonable times the premises subject to construction or renovation to inspect the Work performed by or on behalf of Contractor, provided that such entry and inspection does not materially interfere with the progress of construction. Contractor shall correct promptly, at no cost to PWC, all Work reasonably rejected by PWC or by its representatives. Should Contractor fail to correct rejected Work, PWC may, acting in its sole discretion, correct such Work and the Contractor shall pay PWC's actual costs of correction and any other applicable amounts identified in the Contract Documents.

13. As-Built Drawings. Contractor shall maintain during the progress of the Project as-built drawings indicating the current status of the Project as actually performed. Upon Completion of the Project, Contractor shall prepare a final version of such as-built drawings and

submit them to PWC for approval.

14. Assignment. This Agreement shall be binding upon and inure to the benefit of the Parties, their legal representatives, successors, and assigns. Contractor may not assign, transfer, convey, or encumber, whether voluntarily or by operation of law, this Agreement or any obligations, rights under, or interests in this Agreement to a third party without the prior written consent of PWC; and, specifically, but without limitation, money that may become due and money that is due may not be assigned without such consent (except to the extent that the effect of this restriction may be limited by law), and unless specifically stated to the contrary in any written consent to an assignment, no assignment will release or discharge the assignor from any duty or responsibility under the Contract Documents.

15. Indemnity. Contractor shall indemnify, defend, and hold harmless PWC and its Commissioners, officers, employees, agents, and representatives and the City of Fayetteville and its elected officials, managers, employees, agents, and representatives and Design Engineer (collectively "Indemnitees") from and against all claims, actions, liabilities, damages, losses, costs, and expenses (including, without limitation, injury to or death of any persons and damage to property, economic and consequential damages and attorneys' fees) asserted by one or more third parties against one or more of the Indemnitees if the Fault of one or more Responsible Persons is a proximate cause of the loss, damage, or expense indemnified. Contractor's obligation to indemnify, defend, and hold harmless the Indemnitees shall survive the termination of this Agreement.

16. Insurance. Contractor shall maintain during the Work and for at least three (3) years following Completion of the Project the insurance coverage set forth in the Contract Documents, which insurance shall be placed with insurance companies authorized to do business in the State of North Carolina and rated A minus VII or better by the current edition of Best's Key Rating Guide or otherwise approved in writing by PWC. Prior to initiating any Work, Contractor shall deliver certificates of insurance confirming each such coverage required by the Contract Documents, and Contractor shall direct its insurers to provide annually to PWC certificates confirming each such coverage during the coverage period. PWC shall be named as an additional insured in the comprehensive automobile and commercial liability insurance policies. Commercial general liability coverage shall be written on an "occurrence" basis. Contractor shall not reduce or allow the required insurance coverages to lapse without PWC's prior written approval. All policies for insurance must be endorsed to contain a provision giving PWC a thirty (30) calendar day prior written notice by certified mail of any cancellation of that policy or material reduction in coverage. Should a notice of cancellation be issued for non-payment of premiums or any part thereof, or should Contractor fail to provide and maintain certificates as set forth herein, PWC shall have the right, but shall not have the obligation, to pay such premium to the insurance company or to obtain such coverage and to deduct such payment from any sums that may be due or become due to Contractor, or to seek reimbursement for said payments from Contractor. Any such sums paid by PWC shall be due and payable immediately by Contractor upon notice from PWC. The insurance provisions of this Agreement shall not be construed as a limitation on Contractor's responsibilities and liabilities pursuant to the terms and conditions of this Agreement. Contractor's obligation to maintain insurance for three (3) years after Completion of the Project shall survive the termination of this Agreement.

17. Warranty. The Contractor hereby grants to PWC a warranty on all materials and Workmanship involved in the Project for a period of one (1) year from the Completion Date and a period of two (2) years from the Completion Date for any latent structural defects. PWC shall

give written notice to Contractor of any claim under this Section within the time specified hereinabove. This warranty shall be in addition to, and not in derogation of, all other rights and privileges which PWC may have under law, equity, or instrument, and shall survive the Completion Date and the final settlement and shall be binding on Contractor notwithstanding any provision in any other writing executed by PWC heretofore or contemporaneous with the execution of the Agreement or prior to the Completion Date.

18. Waiver. No failure on the part of any party to exercise, and no delay in exercising, any right, power, or privilege hereunder shall operate as a waiver thereof, nor shall any single or partial exercise of any right hereunder preclude any other or further cumulative and not exclusive of any remedies provided by law. This Agreement shall be binding upon and inure to the benefit of the parties, their legal representatives, successors, and assigns. This Agreement may not be assigned, transferred, conveyed, or encumbered, whether voluntarily or by operation of law, by either party without the prior written consent of the other party, which consent shall not be unreasonably withheld.

19. Law. THIS AGREEMENT SHALL BE GOVERNED BY AND INTERPRETED AND ENFORCED IN ACCORDANCE WITH THE LAWS OF THE STATE OF NORTH CAROLINA WITHOUT GIVING EFFECT TO THE CHOICE OF LAW PROVISIONS THEREOF. The Contractor shall at all times comply with all applicable Federal, state, and local laws and building codes in the performance of its obligations under the Agreement.

20. Dispute Resolution. In the event of any dispute, controversy, or claim of any kind or nature arising under or in connection with this Agreement (a "Dispute") and involving any two or more of the following parties, PWC, Designer, Contractor or any subcontractor of Contractor, the party initiating the Dispute shall serve written notice of a Dispute on the party(ies) to the dispute, and those parties shall endeavor to settle the dispute first through direct, informal discussions between the parties' selected representatives. Any such representative(s) shall have binding authority to settle the Dispute. In the event the parties do not settle the Dispute within ten (10) days from the date of written notice of the Dispute, any party to the Dispute may, by written notice to the other party(ies), engage a mediator certified under the laws of the State of North Carolina to mediate the Dispute within thirty (30) days of such notice. The parties to the Dispute shall attend mediation in good faith. In the event mediation is unsuccessful, any party to the dispute may initiate arbitration proceedings. Any controversy or claim arising out of or relating to the Contract Documents, or the breach thereof, shall be settled by binding arbitration administered by the American Arbitration Association under its Construction Industry Arbitration Rules, and judgment on the award rendered by the arbitrator(s) may be entered in any court having jurisdiction thereof. All of the foregoing dispute resolution procedures shall be held in Cumberland County, North Carolina. The costs of the mediator and arbitrator in a dispute resolution process shall be divided equally among the parties to the process; provided, however, PWC shall bear at least one-third of the cost if PWC is a party to the dispute resolution and the remainder of the cost shall be divided equally among the other parties participating in the dispute resolution. PWC shall, in its contractual arrangements with Designer, and Contractor shall, in its contracts with subcontractors and they in their contracts with lower-tier subcontractors authorize and direct such parties to participate in the dispute resolution procedures set forth in this Section. Unless otherwise directed in writing by PWC, Contractor shall continue the Project and maintain compliance with the scheduling deadlines set forth in the Contract Documents during any dispute resolution proceedings. If Contractor continues to perform, PWC shall make payments due for the continued performance in accordance with this Agreement. The provisions of this Section shall not extend any applicable statutes of limitation or repose.

21. Execution; Modification; Entire Agreement; Severability. This Agreement may be executed in counterparts with the same effect as if the signatures to each counterpart were upon a single instrument, and all such counterparts together shall be deemed an original of this Agreement. For purposes of this Agreement, a facsimile copy or scanned copy or photocopy of a party's signature shall be sufficient to bind such party. This Agreement shall be subject to execution by electronic means in accordance with Article 40 of Chapter 66 of the North Carolina General Statutes. No oral communication, promise, understanding, or agreement before, contemporaneous with, or after the execution of this Agreement shall affect or modify any of the terms and conditions and obligations of the Contract Documents. The Contract Documents shall be modified only by a subsequent writing signed by both Parties. The Contract Documents shall be conclusively considered to contain and express all the terms and conditions agreed upon by the Parties, notwithstanding any prior or contemporaneous written communication, promise, understanding or agreement. Should any provision of this Agreement or any of the Contract Documents at any time be in conflict with any law, statute, rule, regulation, order, or ruling and thus be unenforceable, or be unenforceable for any other reason, then the remaining provisions of this Agreement shall remain in full force and effect and the court or arbitrator shall give the offending provision the fullest meaning and effect permitted by law. The titles of the Sections throughout this Agreement are for convenience only and the words contained therein shall in no way be held to explain, modify, amplify or aid in the interpretation, construction, or meaning of the provisions of this instrument.

22. Notices. Any notice which either Party is required or desires to give the other hereunder shall be deemed sufficiently given if, in writing, it is delivered personally, or sent by certified U.S. mail, return-receipt requested, postage prepaid, to the addresses listed herein below, or such other address as either Party shall give to the other Party by written notice in accordance herewith. Any notice given herein by personal delivery shall be deemed delivered when received. Any properly addressed notice given herein by certified mail shall be deemed delivered on third Business Day after the same is deposited in an official United States Post Office, postage prepaid, or if sooner upon the date when the return receipt therefore is signed, or refusal to accept the mailing by the addressee is noted thereon by the postal authorities.

To PWC:  
Fayetteville Public Works Commission  
Attn: Timothy Bryant, CEO/General Manager  
PO Box 1089  
Fayetteville, NC 28302

To Contractor:

23. Termination. PWC may terminate this Agreement immediately if during the progress of the Work or during the warranty period, the Contractor:

- a. Persistently fails to prosecute the Work properly and in accordance with this contract, including but not limited to include failure to provide sufficient crews, equipment, or resources, or failure to adhere to the schedule;

- b. Demonstrates disregard for the policies, procedures, or requirements of PWC;
- c. Demonstrates complete disregard of the authority of PWC or its designated representatives; or
- d. Violates in any substantial way the provisions and requirements of this Agreement.

Such termination shall be effective upon written notice to Contractor and its surety. PWC may terminate the contract for its convenience by providing Contractor at least seven (7) calendar days prior written notice, in which event Contractor shall be paid for all Work completed, plus other expenses as mutually agreed upon between PWC and Contractor.

24. Compliance. Contractor hereby acknowledges that “E-Verify” is the federal E-Verify program operated by the US Department of Homeland Security and other federal agencies which is used to verify the Work authorization of newly hired employees pursuant to federal law and in accordance with Article 2, Chapter 64 of the North Carolina General Statutes. Contractor further acknowledges that all employers, as defined by Article 2, Chapter 64 of the North Carolina General Statutes, must use E-Verify and after hiring an employee to Work in the United States, shall verify the Work authorization of the employee through E-Verify in accordance with N.C.G.S. §64-26(a). Contractor hereby pledges, attests, and warrants through execution of this Agreement that Contractor complies with the requirements of Article 2, Chapter 64 of the North Carolina General Statutes and further pledges, attests, and warrants that all subcontractors currently employed by or subsequently hired by Contractor shall comply with all E-Verify requirements. Failure to comply with the above requirements shall be considered a breach of this Agreement. Contractor hereby further acknowledges that the execution and delivery of this Agreement constitutes Contractor’s certification to PWC and to the North Carolina State Treasurer that, as of the date of the Effective Date of this Agreement, Contractor is not listed on (a) the Final Divestment List created and maintained by the North Carolina Department of State Treasurer pursuant to the Iran Divestment Act of 2015, Chapter 147, Article 6E of the General Statutes of North Carolina (the “Iran Divestment Act”); or (b) the list of companies that the North Carolina State Treasurer determines to be engaged in a boycott of Israel in accordance with Article 6G of Chapter 147 of the General Statutes of North Carolina. Contractor represents and warrants to Commission that Contractor, and all persons and entities owning (directly or indirectly) an ownership interest in it: (i) are not, and will not become, a person or entity with whom a party is restricted from doing business with under regulations of the Office of Foreign Asset Control (“OFAC”) of the Department of the Treasury (including, but not limited to, those named on OFAC’s Specially Designated and Blocked Persons list) or under any statute, executive order (including, but not limited to, the September 24, 2001, Executive Order 13224 Blocking Property and Prohibiting Transactions with Persons Who Commit, Threaten to Commit, or Support Terrorism), or other governmental action; and (ii) are not knowingly engaged in, and will not knowingly engage in, any dealings or transactions or be otherwise associated with such persons or entities described in clause (i) above. Contractor also shall at all times during the term of this Agreement comply with Executive Order 11246, including but not limited to the Equal Opportunity Clause requirements set forth in 41 C.F.R. § 60-1.4. Contractor shall abide by the requirements of 41 CFR 60–300.5(a) and 60–741.5(a) prohibiting discrimination against qualified individuals on the basis of protected veteran status or disability and requiring affirmative action by covered prime contractors and subcontractors to employ and advance in employment qualified protected veterans and individuals with disabilities.

IN WITNESS WHEREOF, the Parties have executed this Agreement by their duly authorized representatives.

Fayetteville Public Works Commission

**CONTRACTOR**

**[PER OUR CHARTER (SEE SEC 6A.20),  
THE CONSTRUCTION CONTRACT, IF MORE  
THAN \$500K, MUST BE BETWEEN THE CITY  
(BY AND THROUGH PWC) AND THE CONTRACTOR]**

By: \_\_\_\_\_  
Timothy Bryant, CEO/GM

By: \_\_\_\_\_

\_\_\_\_\_  
(Printed Name, Title)

Date: \_\_\_\_\_

Date: \_\_\_\_\_

This instrument has been preaudited in the manner required by the Local Government Budget and Fiscal Control Act (N.C. Gen. Stat. § 159-1 et seq.).

By: \_\_\_\_\_  
Rhonda Haskins, Chief Financial Officer

Approved as to form:

\_\_\_\_\_  
Legal Dept.

SAMPLE



GENERAL CONDITIONS FOR  
FAYETTEVILLE PUBLIC WORKS COMMISSION

<b>General Conditions</b> .....	5
<b>Article I. Definitions and Terminology</b> .....	5
Section 1.01 Definitions.....	5
Section 1.02 Terminology.....	10
<b>Article II. Preliminary Matters</b> .....	11
Section 2.01 Delivery of Bonds and Evidence of Insurance.....	11
Section 2.02 Copies of Documents.....	11
Section 2.03 Before Starting any Work.....	12
Section 2.04 Preconstruction Conference; Designation of Authorized Representatives.....	12
Section 2.05 Initial Acceptance of Schedules.....	12
Section 2.06 Electronic Transmittals.....	13
<b>Article III. Contract Documents: Intent, Requirements, Reuse</b> .....	13
Section 3.01 Intent.....	13
Section 3.02 Reference Standards.....	13
Section 3.03 Reporting and Resolving Discrepancies.....	14
Section 3.04 Reuse of Documents.....	15
<b>Article IV. Commencement and Progress of the Work</b> .....	15
Section 4.01 Commencement of Work.....	15
Section 4.02 Reference Points.....	15
Section 4.03 Progress Schedule.....	16
Section 4.04 Delays in Contractor’s Progress.....	16
<b>Article V. Availability of Lands; Subsurface and Physical Conditions; Hazardous Environmental Conditions</b> .....	16
Section 5.01 Availability of Lands.....	16
Section 5.02 Use of Site and Other Areas.....	17
Section 5.03 Differing Subsurface or Physical Conditions or Underground Facilities.....	17
Section 5.04 Underground Utilities.....	19
Section 5.05 Hazardous Environmental Conditions at Site.....	21
<b>Article VI. Bonds and Insurance</b> .....	21
Section 6.01 Performance and Payment Bonds.....	21
Section 6.02 Insurance.....	22
<b>Article VII. Contractor’s Responsibilities</b> .....	23
Section 7.01 Supervision and Superintendence.....	23
Section 7.02 Labor; Working Hours.....	24
Section 7.03 Services, Materials, and Equipment.....	25
Section 7.04 “Or Equals”.....	25
Section 7.05 Concerning Subcontractors, Suppliers, and Others.....	26
Section 7.06 Patent Fees and Royalties.....	27

General Conditions (Rev 7/11/2023)

Section 7.07	Permits .....	27
Section 7.08	Taxes .....	27
Section 7.09	Laws and Regulations .....	27
Section 7.10	Record Documents .....	28
Section 7.11	Safety and Protection .....	28
Section 7.12	Emergencies.....	29
Section 7.13	Shop Drawings, Samples, and Other Submittals .....	29
Section 7.14	Contractor's General Warranty and Guarantee.....	31
Section 7.15	Indemnification .....	32
Section 7.16	Claims Procedure .....	32
Section 7.17	Delegation of Professional Design Services .....	33
<b>Article VIII.</b>	<b>PWC's Responsibilities .....</b>	<b>34</b>
<b>Article IX.</b>	<b>Amending the Contract Documents; Changes in the Work.....</b>	<b>34</b>
Section 9.01	Amending and Supplementing Contract Documents.....	34
Section 9.02	PWC-Authorized Changes in the Work.....	35
Section 9.03	Unauthorized Changes in the Work .....	35
Section 9.04	Change of Contract Price.....	35
Section 9.05	Change of Contract Times .....	36
Section 9.06	Change Proposals .....	36
Section 9.07	Execution of Change Orders.....	37
Section 9.08	Notification to Surety.....	37
<b>Article X.</b>	<b>Tests, Inspections, and Approvals; Correction, Removal, or Acceptance of Defective Work.....</b>	<b>37</b>
Section 10.01	Access to Work.....	37
Section 10.02	Tests, Inspections, and Approvals .....	37
Section 10.03	Defective Work .....	38
Section 10.04	Acceptance of Defective Work.....	39
Section 10.05	Uncovering Work .....	39
Section 10.06	PWC May Stop the Work.....	40
Section 10.07	PWC May Correct Defective Work.....	40
<b>Article XI.</b>	<b>Claims.....</b>	<b>40</b>
Section 11.01	Claims Process.....	40
Section 11.02	Submittal of Claim .....	41
Section 11.03	Review and Resolution .....	41
Section 11.04	Dispute Resolution.....	41
<b>Article XII.</b>	<b>Payments to Contractor; Set-Offs; Completion; Correction Period.....</b>	<b>42</b>
Section 12.01	Progress Payments .....	42
Section 12.02	Substantial Completion.....	44

General Conditions (Rev 7/11/2023)

Section 12.03	Partial Use or Occupancy .....	45
Section 12.04	Final Inspection .....	46
Section 12.05	Final Payment.....	46
Section 12.06	Waiver of Claims .....	47
Section 12.07	Correction Period.....	47
<b>Article XIII.</b>	<b>Suspension of Work and Termination .....</b>	<b>48</b>
Section 13.01	PWC May Suspend Work .....	48
Section 13.02	PWC May Terminate for Cause .....	48
Section 13.03	PWC May Terminate For Convenience.....	49
Section 13.04	Contractor May Stop Work or Terminate.....	49
Section 13.05	Morality.....	50
<b>Article XIV.</b>	<b>Miscellaneous .....</b>	<b>50</b>
Section 14.01	Additional General Terms and Conditions.....	50
Section 14.02	Giving Notice .....	50
Section 14.03	Computation of Times.....	50
Section 14.04	Cumulative Remedies.....	50
Section 14.05	Limitation of Damages .....	51
Section 14.06	No Waiver.....	51
Section 14.07	Survival of Obligations .....	51
Section 14.08	Controlling Law .....	51
Section 14.09	Headings .....	51

## **General Conditions**

### **Article I. Definitions and Terminology**

#### **Section 1.01 Definitions**

Capitalized terms used in the Bid Documents or Contract Documents, including the singular and plural forms, shall have the meaning indicated in the definitions below. In addition to terms specifically defined below, terms with initial capital letters in the Contract Documents include references to identified articles and paragraphs, and the titles of other documents or forms.

- (a) **Addenda**—Written or graphic instruments issued before the opening of Bids which clarify, correct, or change the Bid Documents or other Contract Documents.
- (b) **Agreement**—The written instrument, executed by PWC and Contractor, that sets forth the Contract Price and Contract Times, identifies the parties, designates the specific documents that encompass the Contract Documents, and provides other material provisions that govern the relationship between the parties as it relates to the Project. The Agreement is also referred to, and titled as, the “Construction Agreement.”
- (c) **Application for Payment**—The form that Contractor shall use during the Work in requesting progress or final payments. Any Application for Payment shall be accompanied by such supporting documentation as is required by the Contract Documents.
- (d) **Bid**—The offer of a Bidder submitted on the prescribed form setting forth the prices for the Work to be performed.
- (e) **Bidder**—An individual or entity that submits a Bid to PWC for the Project.
- (f) **Bid Documents**—The Bidding Requirements, the proposed Contract Documents, and all Addenda.
- (g) **Bidding Requirements**—The Invitation to Bid, Instructions to Bidders, Bid Bond or other Bid security, if any, the Bid Form, and the Bidder’s original Bid with any requisite attachments.
- (h) **Business Day**—each calendar day that is not a Saturday, Sunday, or holiday observed by PWC (New Year’s Day, Martin Luther King, Jr. Day, Good Friday, Memorial Day, Independence Day, Labor Day, Veteran’s Day, Thanksgiving Day (and the day after), and Christmas (2 days) for its employees.
- (i) **Change Order**—A document that is signed by Contractor and PWC, which authorizes an addition, deletion, or revision in the Work, an adjustment in the Contract Price or the Contract Times, a change in the scope of the Project, or other revision to the Agreement, issued on or after the Effective Date of the Agreement.
- (j) **Change Proposal**—A written request by Contractor, submitted in compliance with the procedural requirements set forth in the Contract Documents, seeking an adjustment in Contract Price or Contract Times, or both; contesting an initial decision by PWC concerning the requirements of the Contract Documents or the acceptability of Work under the Contract Documents; challenging a set-off against payments due; or seeking other relief with respect to the terms of the Agreement.

- (k) Completion of the Project—Has the meaning as set forth in the Construction Agreement.
- (l) Constituent of Concern—Asbestos, petroleum, radioactive materials, polychlorinated biphenyls (PCBs), hazardous waste, and any substance, product, waste, or other material of any nature whatsoever that is or becomes listed, regulated, or addressed pursuant to (a) the Comprehensive Environmental Response, Compensation and Liability Act, 42 U.S.C. §§9601 et seq. (“CERCLA”); (b) the Hazardous Materials Transportation Act, 49 U.S.C. §§5101 et seq.; (c) the Resource Conservation and Recovery Act, 42 U.S.C. §§6901 et seq. (“RCRA”); (d) the Toxic Substances Control Act, 15 U.S.C. §§2601 et seq.; (e) the Clean Water Act, 33 U.S.C. §§1251 et seq.; (f) the Clean Air Act, 42 U.S.C. §§7401 et seq.; or (g) any other federal, state, or local statute, law, rule, regulation, ordinance, resolution, code, order, or decree regulating, relating to, or imposing liability or standards of conduct concerning, any hazardous, toxic, or dangerous waste, substance, or material.
- (m) Contract Price—The money that PWC has agreed to pay Contractor for Completion of the Project in accordance with the Contract Documents. May also be referred to as “Price” throughout the Contract Documents.
- (n) Contract Times—The number of days or the dates by which Contractor shall: (a) achieve Milestones, if any; and (b) Completion of the Project.
- (o) Contractor—The individual or entity with which PWC has contracted for performance of the Work and Completion of the Project.
- (p) **Cost of the Work**
  - A. Costs Included: To determine Cost of the Work when Cost of the Work is a component of the Contract Price, except as otherwise may be agreed to in writing by PWC, costs included in the Cost of the Work shall be in amounts no higher than those prevailing in the locality of the Project, shall not include any of the excluded costs specifically itemized below, and shall include only the following items:
    - (i) Payroll costs for employees in the direct employ of Contractor in the performance of the Work under schedules of job classifications agreed upon by Owner and Contractor. Payroll costs for employees not employed full time on the Work shall be apportioned on the basis of their time spent on the Work. Payroll costs shall include, but not be limited to, salaries and wages plus the cost of fringe benefits, which shall include social security contributions, unemployment, excise, and payroll taxes, workers’ compensation, health and retirement benefits, bonuses, sick leave, and vacation and holiday pay applicable thereto. The expenses of performing Work outside of regular working hours, on Saturday, Sunday, or legal holidays, shall be included in the above to the extent authorized by Owner.
    - (ii) Cost of all materials and equipment furnished and incorporated in the Work, including costs of transportation and storage thereof, and Suppliers’ field services required in connection therewith. All trade discounts, rebates, and refunds and returns from sale of surplus materials and equipment shall accrue to Owner, and Contractor shall make provisions so that they may be obtained.
    - (iii) Payments made by Contractor to Subcontractors for Work performed by Subcontractors. If any subcontract provides that the Subcontractor is to be paid on the basis of Cost of the Work plus a fee, the Subcontractor’s Cost of the Work and

fee shall be determined in the same manner as Contractor's Cost of the Work and fee as provided in this subsection (p).

(iv) Supplemental costs including the following:

- a. Rentals of all construction equipment and machinery, and the parts thereof, whether rented from Contractor or others in accordance with rental agreements approved by Owner. All such costs shall be in accordance with the terms of said rental agreements. The rental of any such equipment, machinery, or parts shall cease when the use thereof is no longer necessary for the Work.
- b. Sales, consumer, use, and other similar taxes related to the Work, and for which Contractor is liable, as imposed by Laws and Regulations.
- c. The cost of utilities, fuel, and sanitary facilities at the Site.
- d. The costs of premiums for all bonds and insurance that Contractor is required by the Contract Documents to purchase and maintain.

B. Costs Excluded: The term Cost of the Work shall not include any of the following items:

(i) Payroll costs and other compensation of Contractor's officers, executives, principals (of partnerships and sole proprietorships), general managers, safety managers, engineers, architects, estimators, attorneys, auditors, accountants, purchasing and contracting agents, expeditors, timekeepers, clerks, and other personnel employed by Contractor, whether at the Site or in Contractor's principal or branch office for general administration of the Work and not specifically included in the agreed upon schedule of job classifications agreed upon by Owner and Contractor. The payroll costs and other compensation excluded here are to be considered administrative costs covered by the Contractor's fee.

(ii) Expenses of Contractor's principal and branch offices other than Contractor's office at the Site.

(iii) Any part of Contractor's capital expenses, including interest on Contractor's capital employed for the Work and charges against Contractor for delinquent payments.

(iv) Costs due to the negligence of Contractor, any Subcontractor, or anyone directly or indirectly employed by any of them or for whose acts any of them may be liable, including but not limited to, the correction of defective Work, disposal of materials or equipment wrongly supplied, and making good any damage to property.

(v) Other overhead or general expense costs of any kind and the costs of any item not specifically and expressly included herein.

(vi) Contractor's fee.

A. Documentation: Whenever the Cost of the Work for any purpose is to be determined pursuant to this Article 13, Contractor will establish and maintain records of the Cost of Work in accordance with generally accepted accounting practices and submit in a form acceptable to PWC an itemized cost breakdown together with supporting data.

(q) Day—a calendar day of 24 hours measured from midnight to the next midnight. Also referred to throughout the Contract Documents as "days" or "calendar days."

- (r) Design Engineer—The Engineering firm identified on the Contract Drawings and their duly authorized employees and agents, such employees and agents acting within the scope of the particular duties entrusted to them in each case.
- (s) Drawings—The part of the Contract that graphically shows the scope, extent, and character of the Work to be performed by Contractor.
- (t) Field Order—A written order issued by Project Engineer which requires minor changes in the Work but does not change the Contract Price or the Contract Times.
- (u) Final Completion—The day the on which any specified Work is complete in accordance with the Contract Documents.
- (v) Hazardous Environmental Condition—The presence at the Site of Constituents of Concern in such quantities or circumstances that may present a danger to persons or property exposed thereto. The presence at the Site of materials that are necessary for the execution of the Work, or that are to be incorporated in the Work, and that are controlled and contained pursuant to industry practices, Laws and Regulations, and the requirements of the Contract Documents, does not establish a Hazardous Environmental Condition.
- (w) Laws and Regulations; Laws or Regulations—Any and all applicable laws, statutes, rules, regulations, ordinances, codes, and orders of any and all governmental bodies, agencies, authorities, and courts having jurisdiction. Such terms, unless otherwise specified, shall refer to North Carolina laws and regulations.
- (x) Milestone—A principal event in the performance of the Work that the Agreement requires Contractor to achieve by an intermediate completion date or by a time prior to Completion of the Project.
- (y) Non-Compliance Notice—A written notice issued by PWC to Contractor indicating a violation of any term, provision, or requirement of the Contract Documents.
- (z) Notice of Award—The written notice by PWC to a Bidder providing of PWC's acceptance of the Bid upon timely compliance by the Bidder with any conditions precedent provided in the notice.
- (aa) Notice to Proceed—A written notice by PWC to Contractor fixing the date on which the Contract Times will commence to run and on which Contractor shall start to perform the Work.
- (bb) Progress Schedule—A schedule, prepared and maintained by Contractor, describing the sequence and duration of the activities comprising the Contractor's plan to accomplish the Work within the Contract Times.
- (cc) Project—has the meaning ascribed to it in the Agreement and is as more specifically set forth throughout the Contract Documents. "Project" includes the total undertaking to be accomplished for PWC by engineers, contractors, and others, including planning, study, design, construction, testing, commissioning, and start-up, and of which the Work to be performed under the Contract Documents is a part.

General Conditions (Rev 7/11/2023)

- (dd) Project Engineer—the PWC employee assigned by PWC to coordinate, manage, monitor, and otherwise perform the administration necessary and consistent with PWC’s responsibilities for the Completion of the Project. The Project Engineer has authority to coordinate and work with the Design Engineer regarding any engineering questions, concerns, revisions, alterations, deletions, or additions to the Work, and has authority to approve any changes in the scope of the Work. Project Engineer may assign a “Project Coordinator” who will also be an employee of PWC and have the duties and responsibilities set by the Project Engineer.
- (ee) PWC—Fayetteville Public Works Commission. PWC may also be referred to in the Contract Documents as “Owner.”
- (ff) Samples—Physical examples of materials, equipment, or workmanship that are representative of some portion of the Work and that establish the standards by which such portion of the Work will be judged.
- (gg) Schedule of Submittals—A schedule, prepared and maintained by Contractor, of required submittals and the time requirements for Project Engineer’s review of the submittals and the performance of related construction activities.
- (hh) Schedule of Values—A schedule, prepared and maintained by Contractor, allocating portions of the Contract Price to various portions of the Work and used as the basis for reviewing Contractor’s Applications for Payment.
- (ii) Shop Drawings—All drawings, diagrams, illustrations, schedules, and other data or information that are specifically prepared or assembled by or for Contractor and submitted by Contractor to illustrate some portion of the Work. Shop Drawings, whether approved or not, are not Contract Drawings and are not Contract Documents.
- (jj) Site—Lands or areas indicated in the Contract Documents as being furnished by PWC upon which the Work is to be performed, including rights-of-way and easements, and such other lands furnished by PWC which are designated for the use of Contractor.
- (kk) Specifications—The part of the Contract that consists of written requirements for materials, equipment, systems, standards, and workmanship as applied to the Work, and certain administrative requirements and procedural matters applicable to the Work.
- (ll) Subcontractor—An individual or entity having a direct contract with Contractor or with any other Subcontractor for the performance of a part of the Work.
- (mm) Substantial Completion—The time at which the Work (or a specified part thereof) has progressed to the point where, in the opinion of Project Engineer, the Work (or a specified part thereof) is sufficiently complete, in accordance with the Contract Documents, so that the Work (or a specified part thereof) can be utilized for the purposes for which it is intended. The terms “substantially complete” and “substantially completed” as applied to all or part of the Work refer to Substantial Completion thereof.
- (nn) Successful Bidder—The Bidder whose Bid PWC accepts, and to which PWC provides a Notice of Award.
- (oo) Supplementary Conditions—Any part of the Agreement that amends or supplements these General Conditions.

- (pp) Supplier—A manufacturer, fabricator, supplier, distributor, materialman, or vendor having a direct contract with Contractor or with any Subcontractor to furnish materials or equipment to be incorporated in the Work by Contractor or a Subcontractor.
- (qq) Technical Data—Those items expressly identified as Technical Data in the Supplementary Conditions, with respect to either (a) subsurface conditions at the Site, or physical conditions relating to existing surface or subsurface structures at the Site (except Underground Facilities) or (b) Hazardous Environmental Conditions at the Site. If no such express identifications of Technical Data have been made with respect to conditions at the Site, then the data contained in boring logs, recorded measurements of subsurface water levels, laboratory test results, and other factual, objective information regarding conditions at the Site that are set forth in any geotechnical or environmental report prepared for the Project and made available to Contractor are hereby defined as Technical Data with respect to conditions at the Site under Paragraphs 5.03, 5.04, and 5.06.
- (rr) Underground Facilities—All underground pipelines, conduits, ducts, cables, wires, manholes, vaults, tanks, tunnels, or other such facilities or attachments, and any encasements containing such facilities, including but not limited to those that convey electricity, gases, steam, liquid petroleum products, telephone or other communications, fiber optic transmissions, cable television, water, wastewater, storm water, other liquids or chemicals, or traffic or other control systems.
- (ss) Unit Price Work—Work to be paid for on the basis of unit prices.
- (tt) Work—The entire construction or the various separately identifiable parts thereof required to be provided under the Contract Documents. Work includes and is the result of performing or providing all labor, services, materials, equipment, and documentation necessary to produce such construction; furnishing, installing, and incorporating all materials and equipment into such construction; and may include related services such as testing, start-up, and commissioning, all as required by the Contract Documents and necessary to achieve Completion of the Project.
- (uu) Work Change Directive—A written directive to Contractor issued on or after the Effective Date of the Contract, signed by PWC and recommended by the Project Engineer, ordering an addition, deletion, or revision in the Work.

## Section 1.02 Terminology

The words and terms discussed in the following paragraphs are not defined but, when used in the Bidding Requirements or Contract Documents, have the indicated meaning.

- (a) Intent of Certain Terms or Adjectives:
  - (i) The Contract Documents include the terms “as allowed,” “as approved,” “as ordered,” “as directed” or terms of like effect or import to authorize an exercise of professional judgment by Project Engineer. In addition, the adjectives “reasonable,” “suitable,” “acceptable,” “proper,” “satisfactory,” or adjectives of like effect or import are used to describe an action or determination of Project Engineer as to the Work. It is intended that such exercise of professional judgment, action, or determination will be solely to evaluate, in general, the Work for compliance with the information in the Contract Documents and with the design concept of the Project as a functioning whole as shown or indicated in the

## General Conditions (Rev 7/11/2023)

Contract Documents (unless there is a specific statement indicating otherwise). The use of any such term or adjective is not intended to and shall not be effective to assign to Project Engineer any duty or authority to supervise or direct the performance of the Work, or any duty or authority to undertake responsibility contrary to the provisions the Contract Documents.

- (b) Defective—when modifying the word “Work,” refers to Work that is unsatisfactory, faulty, or deficient in that it:
  - (i) does not conform to the Contract Documents; or
  - (ii) does not meet the requirements of any applicable inspection, reference standard, test, or approval referred to in the Contract Documents; or
  - (iii) has been damaged prior to Project Engineer’s recommendation of final payment (unless responsibility for the protection thereof has been assumed by PWC at Substantial Completion in accordance with the Contract Documents).
- (c) Furnish, Install, Perform, Provide
  - (i) The word “furnish,” when used in connection with services, materials, or equipment, shall mean to supply and deliver said services, materials, or equipment to the Site (or some other specified location) ready for use or installation and in usable or operable condition.
  - (ii) The word “install,” when used in connection with services, materials, or equipment, shall mean to put into use or place in final position said services, materials, or equipment complete and ready for intended use.
  - (iii) The words “perform” or “provide,” when used in connection with services, materials, or equipment, shall mean to furnish and install said services, materials, or equipment complete and ready for intended use.
  - (iv) If the Contract Documents establish an obligation of Contractor with respect to specific services, materials, or equipment, but do not expressly use any of the four words “furnish,” “install,” “perform,” or “provide,” then Contractor shall furnish and install said services, materials, or equipment complete and ready for intended use.

Unless stated otherwise in the Contract Documents, words or phrases that have a well-known technical or construction industry or trade meaning are used in the Contract Documents in accordance with such recognized meaning.

## **Article II. Preliminary Matters**

### Section 2.01 Delivery of Bonds and Evidence of Insurance

- (a) Bonds: Contractor shall deliver to PWC such bonds as Contractor is required to furnish simultaneously with delivering the executed Agreement to PWC.
- (b) Contractor’s Insurance: Contractor shall deliver to PWC the certificates and other evidence of the insurance required by the Contract Documents simultaneously with delivering the executed Agreement to PWC.

### Section 2.02 Copies of Documents

- (a) PWC will furnish to Contractor up to five (5) printed copies of the Contract Documents upon request by Contractor, and one (1) copy in electronic portable document format

(PDF). Additional printed copies will be furnished upon request at the cost of reproduction.

- (b) PWC will maintain and safeguard at least one original printed record version of the Agreement, including Drawings and Specifications signed and sealed by Design Engineer or other design professionals as applicable. PWC agrees to make such original printed record version of the Agreement reasonably available to Contractor for review during PWC's normal business hours. PWC may delegate the responsibilities under this provision to Design Engineer.

### Section 2.03 Before Starting any Work

- (a) Within ten (10) Days after the Contractor receives the Notice of Award from PWC (or as otherwise specifically required by the Contract Documents), Contractor shall submit to PWC for timely review:
  - (i) a preliminary Progress Schedule indicating the times (numbers of days or dates) for starting and completing the identifiable aspects of the Work, including any Milestones specified in the Contract Documents;
  - (ii) a preliminary Schedule of Submittals; and
  - (iii) Any Shop Drawings, Samples, and other submittals required by the Contract Documents before the Preconstruction Conference.

### Section 2.04 Preconstruction Conference; Designation of Authorized Representatives

- (a) Before any Work at the Site is started, a preconstruction conference attended by PWC, Project Engineer, Contractor, Design Engineer, and others as appropriate will be held to establish a working understanding among the parties as to the Work and to discuss general Project issues including, but not limited, the following:
  - (i) The schedules and submittals referred to in Section 2.03;
  - (ii) Contractor's designated authorized representative as described in Section 2.04(b);
  - (iii) Safety;
  - (iv) Procedures for handling Shop Drawings, Samples, and other submittals;
  - (v) Processing Applications for Payment, electronic or digital transmittals;
- (b) At the preconstruction conference Contractor shall designate, in writing, a specific individual to act as its authorized representative with respect to its services and responsibilities under the Contract Documents. Such individual shall have the authority to transmit and receive information, render decisions relative to the requirements of the Contract Documents, and otherwise act on behalf of the Contractor.

### Section 2.05 Initial Acceptance of Schedules

- (a) At least twenty (20) Days before submission of the first Application for Payment a conference, attended by Contractor, PWC, and others as appropriate, will be held to review for acceptability to Project Engineer as provided below the schedules submitted in accordance with Paragraph 2.03(a). PWC shall have ten (10) Days to review the submission and provide feedback to Contractor. Contractor shall then have ten (10) days to make any corrections and adjustments as indicated by PWC and to complete and resubmit the schedules as necessary. No progress payment shall be made to Contractor until acceptable schedules are submitted to and approved by Project Engineer.

## General Conditions (Rev 7/11/2023)

- (b) The Progress Schedule will be acceptable to Project Engineer if it provides an orderly progression of the Work to achieve Completion of the Project within the Contract Times. Such acceptance will not impose on Project Engineer responsibility for the Progress Schedule, for sequencing, scheduling, or progress of the Work, nor interfere with or relieve Contractor from Contractor's full responsibility therefor.
- (c) Contractor's Schedule of Submittals will be acceptable to Project Engineer if it provides a workable arrangement for reviewing and processing the required submittals.

### Section 2.06 Electronic Transmittals

- (a) Except as otherwise stated elsewhere in the Contract Documents, PWC and Contractor and their authorized agents may transmit, and shall accept, Project-related correspondence, text, data, documents, drawings, information, and graphics, including but not limited to Shop Drawings and other submittals, in electronic media or digital format, either directly, or through electronic mail at the address(es) designated by each Party.
- (b) When transmitting items in electronic media or digital format, the transmitting party makes no representations as to long term compatibility, usability, or readability of the items resulting from the recipient's use of software application packages, operating systems, or computer hardware differing from those used in the drafting or transmittal of the items, or from those established in applicable transmittal protocols.

## **Article III. Contract Documents: Intent, Requirements, Reuse**

### Section 3.01 Intent

- (a) The Contract Documents are complementary; what is required by one is as binding as if required by all.
- (b) It is the intent of the Contract Documents to describe a functionally complete project (or part thereof) to be constructed in accordance with the Contract Documents.
- (c) Project Engineer, Design Engineer, or both, will issue clarifications and interpretations of the Contract Documents as provided herein.
- (d) To the extent necessary that Work, construction, or conditions not covered by these General Conditions is required for Contractor to achieve Completion of the Project, "Special Conditions" for such Work will be provided to Contractor and shall be part of the Contract Documents.
- (e) In case of any inconsistency, conflict, or ambiguity among the Contract Documents, the documents shall govern in the following order: (1) Change Orders; (2) Addenda; (3) the fully executed Agreement; (4) Special Conditions; (5) any Drawings and Technical Specifications; and (6) General Conditions.

### Section 3.02 Reference Standards

- (a) Standards Specifications, Codes, Laws and Regulations

## General Conditions (Rev 7/11/2023)

- (i) Reference in the Contract Documents to standard specifications, manuals, reference standards, or codes of any technical society, organization, or association, or to Laws or Regulations, whether such reference be specific or by implication, shall mean the standard specification, manual, reference standard, code, or North Carolina laws and regulations in effect as of the Effective Date of the Agreement, except as may be otherwise specifically stated in the Contract Documents.
- (ii) No provision of any such standard specification, manual, reference standard, or code, or any instruction of a Supplier shall be effective to change the duties or responsibilities of PWC or Contractor, or any of their subcontractors, consultants, agents, or employees, from those set forth in the Contract Documents. No such provision or instruction shall be effective to assign to PWC or any of its officers, directors, members, partners, employees, agents, consultants, or subcontractors, any duty or authority to supervise or direct the performance of the Work or any duty or authority to undertake responsibility inconsistent with the provisions of the part of the Contract Documents.

### Section 3.03 Reporting and Resolving Discrepancies

#### (a) Contractor's Verification of Figures and Measurements

- (i) Before undertaking any portion of the Work, Contractor shall review all of the Contract Documents to and check and verify all figures and dimensions for the Project. Contractor shall promptly report in writing to Project Engineer any conflict, error, ambiguity, or discrepancy that Contractor discovers, or has actual knowledge of, and shall not proceed with any Work affected thereby until the conflict, error, ambiguity, or discrepancy is resolved, by a clarification or interpretation by Project Engineer, or by an amendment or supplement to the Contract Documents issued pursuant to these General Conditions.
- (ii) If, before or during the performance of the Work, Contractor discovers any conflict, error, ambiguity, or discrepancy within the Contract Documents, or between the Contract Documents and (a) any applicable Law or Regulation, (b) actual field conditions, (c) any standard specification, manual, reference standard, or code, or (d) any instruction of any Supplier, then Contractor shall promptly report it to Project Engineer in writing. Contractor shall not proceed with the Work affected thereby (except in an emergency as defined hereinafter) until the conflict, error, ambiguity, or discrepancy is resolved, by a clarification or interpretation by Project Engineer, or by an amendment or supplement to the Contract Documents issued pursuant to these General Conditions.

#### (b) Resolving Discrepancies:

- (i) Except as may be otherwise specifically stated in the Contract Documents, the provisions of the part of the Contract Documents prepared by or for PWC shall take precedence in resolving any conflict, error, ambiguity, or discrepancy between such provisions of the Contract Documents and:
  - 1) the provisions of any standard specification, manual, reference standard, or code, or the instruction of any Supplier (whether or not specifically incorporated by reference as a Contract Document); or
  - 2) the provisions of any Laws or Regulations applicable to the performance of the Work (unless such an interpretation of the provisions of the Contract Documents would result in violation of such Law or Regulation).

### Section 3.04 Reuse of Documents

- (a) Contractor and its Subcontractors and Suppliers shall not have or acquire any title to or ownership rights in any of the:
  - (i) Drawings, Specifications, or other documents (or copies of any thereof) prepared by or bearing the seal of Design Engineer or its consultants, including electronic media editions, or reuse any such Drawings, Specifications, other documents, or copies thereof on extensions of the Project or any other project without written consent of PWC and Design Engineer and specific written verification or adaptation by Design Engineer, where applicable; or
  - (ii) Contract Documents and shall not reuse any such Contract Documents for any purpose without PWC's express written consent.
- (b) The prohibitions of this provision shall survive final payment or termination of the Agreement. Nothing herein shall preclude Contractor from retaining copies of the Contract Documents for record purposes.

## **Article IV. Commencement and Progress of the Work**

### Section 4.01 Commencement of Work

- (a) The Contract Times will commence to run on the day indicated in the Notice to Proceed issued by PWC to Contractor. A Notice to Proceed may be given at any time after the Effective Date of the Contract.
- (b) Contractor shall start to perform the Work on the date when the Contract Times commence to run. No Work shall be done at the Site prior to such date. Contractor's failure to commence the Work within fifteen (15) Days of the date stated in the Notice to Proceed shall be deemed a material breach of the Agreement unless PWC otherwise determines in its sole discretion and agrees in writing to a delay of the Contract Times based on the applicable circumstances.

### Section 4.02 Reference Points

- (a) Construction staking will be performed by Design Engineer, who will also prepare and furnish construction cut sheets, signed and sealed by a North Carolina professional land surveyor, to PWC and Contractor. Contractor shall not install any utilities without a sheet. All requests for staking shall be made not less than 96 hours in advance.
- (b) Contractor shall be responsible for laying out the Work, shall protect and preserve the established reference points and staking, and shall make no changes or relocations without the prior written approval of Project Engineer. Contractor shall report to Project Engineer whenever any reference point staking is lost or destroyed or requires relocation because of necessary changes in grades or locations, and shall be responsible for the accurate replacement or relocation of such reference points or staking by professionally qualified personnel.

Section 4.03 Progress Schedule

- (a) Contractor shall adhere to the Progress Schedule established in accordance with Section 2.03 as it may be adjusted from time-to-time as provided below. Contractor shall submit to Project Engineer for acceptance any proposed adjustments in the Progress Schedule that will not result in changing the Contract Times. Proposed adjustments in the Progress Schedule that will change the Contract Times shall be submitted in accordance with the requirements of Article IX.
- (b) Contractor shall carry on the Work and adhere to the Progress Schedule during any disputes or disagreements with PWC. No Work shall be delayed or postponed pending resolution of any disputes or disagreements, or during any appeal process, except as permitted by these General Conditions or as PWC and Contractor may otherwise agree in writing.

Section 4.04 Delays in Contractor's Progress

- (a) If PWC, Project Engineer, anyone for whom PWC is responsible, or a Force Majeure Event delays, disrupts, or interferes with the performance or progress of the Work, then Contractor shall be entitled to an equitable adjustment in the Contract Times and Contract Price. Contractor's entitlement to an adjustment of the Contract Times is conditioned on such adjustment being essential to Contractor's ability to complete the Work within the Contract Times.
- (b) Contractor shall not be entitled to an adjustment in Contract Price or Contract Times for delay, disruption, or interference caused by or within the control of Contractor. Delay, disruption, and interference attributable to and within the control of a Subcontractor or Supplier shall be deemed to be within the control of Contractor.
- (c) Contractor must submit any Change Proposal, consistent with the procedure set forth in Article IX, seeking an adjustment in Contract Price or Contract Times under this provision within ten (10) calendar days of the commencement of the event that causes the delay, disruption, or interference with the Work and Contract Times.

**Article V. Availability of Lands; Subsurface and Physical Conditions; Hazardous Environmental Conditions**

Section 5.01 Availability of Lands

- (a) PWC will be responsible for obtaining any required easements and encroachments, and otherwise furnishing the Site, necessary to complete the Work, except as provided elsewhere in the Contract Documents.
- (b) Upon reasonable written request, PWC shall furnish to Contractor a current statement of record legal title and legal description of the lands upon which the Work is to be completed and PWC's interest therein.
- (c) Contractor shall provide for all additional lands and access thereto that may be required for temporary construction facilities or storage of materials and equipment necessary to complete the Work. Any and all agreements between the Contractor and any individual property owner(s) shall not obligate PWC, PWC's employees, Project Engineer, or Design

## General Conditions (Rev 7/11/2023)

Engineer in any manner, and Contractor shall, before performing any work on any such property, obtain a signed and notarized release of liability of PWC and Design Engineer that is suitable to PWC as confirmed in writing.

- (d) Contractor and any of its Subcontractors shall exercise care and caution to avoid damage to any private property. Should any such damage to private property occur, it is Contractor's responsibility to notify the Project Engineer promptly in writing that such damage occurred, the extent of the damage, and Contractor's written plan to remedy the damage. If Contractor fails to timely correct damage to private property, PWC reserves the right to withhold progress payments until damage is corrected and/or to correct damage and back-charge Contractor for costs incurred. At the Completion of the Project, Contractor shall obtain a signed release from all owners of private property to which damage occurred that releases PWC and Design Engineer and acknowledges a settlement for the damage or that such damage was adequately remedied.

### Section 5.02 Use of Site and Other Areas

- (a) Contractor shall confine construction equipment, temporary construction facilities, the storage of materials and equipment, and the operations of workers to the Site and other adjacent areas permitted by Laws and Regulations and shall not unreasonably encumber the Site and such other adjacent areas with construction equipment or other materials or equipment. Contractor shall assume full responsibility for (a) damage to the Site; (b) damage to any such other adjacent areas used for Contractor's operations; (c) damage to any other adjacent land or areas; and (d) for injuries and losses sustained by the owners or occupants of any such land or areas; provided that such damage or injuries result from the performance of the Work or from other actions or conduct of the Contractor or those for which Contractor is responsible.
- (b) Contractor shall keep the Site and other adjacent areas free from accumulations of waste materials, rubbish, and other debris during the progress of the Work. Removal and disposal of such debris shall conform to applicable Laws and Regulations.
- (c) Prior to Completion of the Project, Contractor shall clean the Site and the Work and make it ready for utilization by PWC. At the completion of all of the Work, Contractor shall remove from the Site and adjacent areas all tools, appliances, construction equipment and machinery, and surplus materials and shall restore to original condition all property not designated for alteration by the Contract Documents.
- (d) Contractor shall not load nor permit any part of any structure to be loaded in any manner that will endanger the structure, nor shall Contractor subject any part of the Work or adjacent structures or land to stresses or pressures that will endanger them.

### Section 5.03 Differing Subsurface or Physical Conditions or Underground Facilities

- (a) If Contractor believes that any subsurface or physical condition or Underground Facilities that is uncovered or revealed at the Site either:
  - (i) is of such a nature as to establish that any Technical Data on which Contractor is entitled to rely is materially inaccurate;
  - (ii) is of such a nature as to require a change in the Contract Documents;
  - (iii) differs materially from that shown or indicated in the Contract Documents; or

General Conditions (Rev 7/11/2023)

- (iv) is of an unusual nature, and differs materially from conditions ordinarily encountered and generally recognized as inherent in work of the character provided for in the Contract Documents;

then Contractor shall, promptly after becoming aware thereof and before further disturbing the subsurface or physical conditions or Underground Facilities or performing any Work in connection therewith, notify PWC and Engineer in writing about such condition. Contractor shall not further disturb such condition or perform any Work in connection therewith (except with respect to an emergency) until receipt of a written statement approved by PWC permitting Contractor to do so.

- (b) After receipt of Contractor's written notice, Project Engineer will review the subsurface or physical condition or Underground Facilities in question; determine the necessity of PWC obtaining additional exploration or tests with respect to the condition; conclude whether the condition falls within any of the differing site condition categories in this Section 5.03; and obtain any pertinent cost or schedule information from Contractor.
- (c) Project Engineer will issue a written statement to Contractor regarding the subsurface or physical condition or Underground Facilities in question, which addresses the resumption of Work in connection with such condition and indicates whether any change in the Contract Documents will be made.
- (d) Possible Price and Times Adjustments:
  - (i) Contractor shall be entitled to an equitable adjustment in Contract Price or Contract Times, or both, to the extent that the existence of a differing subsurface or physical condition or Underground Facilities, or any related delay, disruption, or interference, causes an increase or decrease in Contractor's cost of, or time required for, performance of the Work; subject, however, to the following:
    - 1) such condition must fall within at least one of the categories in this Section 5.03; and,
    - 2) Contractor's entitlement to an adjustment of the Contract Times is conditioned on such adjustment being essential to Contractor's ability to complete the Work within the Contract Times.
  - (ii) Contractor shall not be entitled to any adjustment in the Contract Price or Contract Times with respect to a subsurface or physical condition or Underground Facilities if:
    - 1) Contractor knew of the existence of such condition at the time Contractor proffered its Bid to PWC or executed the applicable Agreement for the Project; or
    - 2) the existence of such condition reasonably could have been discovered or revealed as a result of any examination, investigation, exploration, test, or study of the Site and contiguous areas expressly required by the Bidding Requirements or Contract Documents to be conducted by or for Contractor prior to Contractor's Bid; or
    - 3) Contractor failed to give the written notice as required.
  - (iii) If PWC and Contractor agree regarding Contractor's entitlement to, and the amount or extent of, any adjustment in the Contract Price or Contract Times, or both, then any such adjustment shall be set forth in a Change Order.
  - (iv) Contractor may submit a Change Proposal regarding its entitlement to or the amount or extent of any adjustment in the Contract Price or Contract Times, or both, no later than 30 calendar days after Project Engineer's written statement to Contractor regarding the

subsurface or physical condition or Underground Facilities in question.

#### Section 5.04 Underground Utilities

- (a) Contractor shall ascertain the location and type of all underground utility lines or structures that may be located within the limits of the Site or any area where Work is to be performed.
  - (i) The exact location of underground utilities or structures may vary from prior plans, permits, maps, or other documentation, and others may not be designated. The Contractor is fully responsible for verification of the exact location of all underground utility lines or structures within the limits of the Site or the area where the work is to be performed, whether known or unknown by PWC, and for providing necessary protection and/or repair if damage.
  - (ii) Should uncharted or incorrectly charted piping or other utilities be encountered during excavations, the Contractor shall immediately halt any Work, notify PWC, and await direction from PWC before proceeding with any Work. The Contractor shall fully cooperate with PWC and any other utility company in keeping respective services and facilities in operation.
- (b) PWC has used reasonable care to locate and depict existing underground installation on the construction drawings, but the accuracy cannot be guaranteed, and some items may not be shown which exist. Actual horizontal and vertical locations have not been verified. As part of the Work, the Contractor is required to dig up each utility which may conflict with construction in advance to verify locations. The utilities shall be “dug up” a minimum of fourteen (14) Days in advance of actual installation of new utilities to allow PWC an opportunity to adjust grades and alignments, to avoid a conflict, and to address any other issues.
- (c) The Contractor shall adhere to the provisions of the North Carolina Underground Utility Safety and Damage Prevention Act. The Contractor shall make a documented request to the North Carolina One Call Center, and/or individual utility owners, in order to locate any facilities within the Site limits or any area where Work is to be performed at least forty-eight (48) hours in advance of the day the Work is scheduled to begin. The Contractor shall include the cost of any coordination and cooperation for utilities in its Bid.
  - (i) Location assistance requested from PWC by Contractor should include the actual horizontal location, type number, size, and depth of all lines. All costs associated with locating and marking existing utilities or the utilities representatives shall be the responsibility of the Contractor.
  - (ii) The Owner, Project Engineer, Design Engineer, and/or Consultants shall not be liable to the Contractor for any claims, costs, losses, or damages incurred or sustained on or in connection with locating existing underground installations.
- (d) If the Contractor fails to schedule locates or perform advance physical locations in advance of the construction and a conflict arises, the Contractor will be required to make corrective measures as instructed by the Project Engineer at the Contractor’s expense. The Contractor’s failure to advance plan (minimum fourteen (14) days) by physically

General Conditions (Rev 7/11/2023)

uncovering existing utilities in advance of construction shall not be cause for claim of lost time or for additional compensation. No additional payment will be made for re-mobilization required by the utility locator.

- (i) The Contractor shall inform all equipment operators, either those employed by him or those employed by his subcontractors, of information obtained from the utility owners prior to initiation of any aspect of any Work.
- (e) PWC and Design Engineer shall not be responsible for the accuracy or completeness of any information or data provided to the Contractor with respect to underground facilities.
- (f) The entire cost of all of the following will be included in the Contract Price, and Contractor shall bear full responsibilities for all such costs, including but not limited to:
  - (i) Reviewing and checking all such information and data;
  - (ii) Locating all underground facilities shown or indicated in the Contract Documents;
  - (iii) Coordination of the Work with the owners of such underground facilities, including PWC, during any portion of the Work; and
  - (iv) The safety and protection of all such underground facilities and repairing any damage thereto resulting from the Work.
- (g) Contractor shall be responsible for the discovery of existing underground installations, in advance of any excavating or trenching as required in the Contract Documents.
- (h) If an underground facility is discovered at or contiguous to the Site that was not shown or indicated in the Contract Documents or of which Contractor was not aware prior to starting that portion of any Work, Contractor shall, immediately after becoming aware thereof and before further disturbing conditions affected thereby or performing any Work in connection therewith (except in an emergency), identify the owner of such underground facility and give written notice to PWC. Upon receipt of written notice, PWC will review the pertinent condition, determine the necessity of obtaining additional information, and advise Contractor in writing. During such time, Contractor shall be responsible for the safety and protection of such underground facility. If PWC concludes that a change in the Contract Documents is required, a Change Order will be issued.
- (i) The Contract Price and/or the Contract Time, may be adjusted if PWC determines, in its discretion, that the existence of such differing subsurface or physical condition causes an increase or decrease in Contractor's cost of, or time required for, performance of the Work subject to the following:
  - 1) Facility was not shown or indicated in the Contract Documents, and
  - 2) The Contractor did not know of or could not anticipate the facility.

## Section 5.05 Hazardous Environmental Conditions at Site

- (a) Contractor shall not be responsible for removing or remediating any Hazardous Environmental Condition encountered, uncovered, or revealed at the Site unless such removal or remediation is expressly identified in the Contract Documents to be within the scope of the Work or Hazardous Environmental Condition was caused by Contractor.
- (b) Contractor shall be responsible for controlling, containing, and removing all Constituents of Concern brought to the Site by Contractor, Subcontractors, Suppliers, or anyone else for whom Contractor is responsible, and for any associated costs; and for the costs of removing and remediating any Hazardous Environmental Condition created by the presence of any such Constituents of Concern.
- (c) If Contractor encounters, uncovers, or reveals a Hazardous Environmental Condition whose removal or remediation is not expressly identified in the Contract Documents as being within the scope of the Work, or if Contractor or anyone for whom Contractor is responsible creates a Hazardous Environmental Condition, then Contractor shall immediately: (1) secure or otherwise isolate such condition; (2) stop all Work in connection with such condition and in any area affected thereby (except in an emergency); and (3) immediately notify Project Engineer (and promptly thereafter confirm such notice in writing). Project Engineer will evaluate such condition or take corrective action, if any. If Contractor or anyone for whom Contractor is responsible created the Hazardous Environmental Condition in question, then PWC may have the Hazardous Environmental Condition removed and remediated and impose a set-off against payments to Contractor to account for the reasonable associated costs.
- (d) Contractor shall not resume Work in connection with such Hazardous Environmental Condition or in any affected area until after PWC has delivered written notice to Contractor either (1) specifying that such condition and any affected area is or has been rendered safe for the resumption of Work, or (2) specifying any special conditions under which such Work may be resumed safely.
- (e) If PWC and Contractor cannot agree as to entitlement to or on the amount or extent, if any, of any adjustment in Contract Price or Contract Times, or both, as a result of such Work stoppage or such special conditions under which Work is agreed to be resumed by Contractor, then within thirty (30) calendar days of PWC's written notice regarding the resumption of Work, Contractor may submit a Change Proposal or PWC may impose a set-off.
- (f) If after receipt of such written notice Contractor does not agree to resume such Work based on reasonable evidence it is unsafe or does not agree to resume such Work under such special conditions, then PWC may order the portion of the Work that is in the area affected by such condition to be deleted from the Work.

## **Article VI. Bonds and Insurance**

### Section 6.01 Performance and Payment Bonds

- (a) Contractor shall obtain and furnish to PWC a performance bond in the amount of one hundred percent (100%) of the Contract Price, conditioned upon the faithful performance of the Project and all Work in accordance with the Contract Documents, which bond shall be

solely for the protection of PWC.

- (b) Contractor shall obtain and furnish to PWC a payment bond in the amount of one hundred percent (100%) of the Contract Price, conditioned upon the prompt payment for all labor or materials for which the Contractor or one or more of its subcontractors is liable, which payment bond shall be solely for the protection of the persons furnishing materials or performing labor for which the Contractor is liable.
- (c) The performance bond and the payment bond shall be executed by one or more surety companies legally authorized to do business in the State of North Carolina, shall become effective upon the awarding of the construction contract by PWC to Contractor, and shall at all times comply with the requirements set forth in Article 3 of North Carolina General Statutes Chapter 44A.
- (d) In the event PWC deems the surety or sureties upon any bond necessary for the Agreement and the completion of the Project, or if for any reason, such bond ceases to be adequate to cover the performance and/or payment of the Work, Contractor shall, at its expense, and within ten (10) days after the receipt of notice from PWC, furnish such additional bond(s) in such form and amount, and with such surety or sureties, as shall be satisfactory to PWC. In such event no further payment to Contractor shall be deemed to be due under this Agreement until new or additional security for the performance and payment of the Project shall be furnished in manner and form satisfactory to PWC.
- (e) By executing the Agreement, Contractor understands and acknowledges that PWC, as a public authority, and the City, as a municipal corporation, are not subject to the provisions of Articles 1 and 2 of Chapter 44A of the General Statutes, in accordance with G.S. 44A-34 and applicable law.

## Section 6.02 Insurance

- (a) Contractor shall maintain during the life of the Agreement and during the completion of any Work the following insurance coverages, which insurance shall be placed with insurance companies authorized to do business in the State of North Carolina and rate A minus VII or better by the current edition of Best's Key Rating Guide or otherwise approved in writing by PWC:
  - (i) Commercial general liability insurance with limits of \$1,000,000 per occurrence, \$2,000,000 aggregate other than products/completed operations; \$2,000,000 aggregate for products/completed. Commercial general liability coverage shall be written on an "occurrence" basis.
  - (ii) Automobile liability insurance in an amount not less than \$1,000,000 combined single limit per accident for bodily injury and property damage from owned, non-owned, and hired automobiles.
  - (iii) Workers' compensation insurance as required by the Laws and Regulations. In the event any employee(s), contractor(s), or subcontractor(s) engaged to perform any Work under the Agreement is not protected under the applicable workers' compensation laws, the Contractor shall provide adequate coverage for the protection of such employee(s), contractor(s), or subcontractor(s) not otherwise protected.

## General Conditions (Rev 7/11/2023)

- (iv) In the event the Project concerns building construction or repair work, Contractor shall purchase and maintain "Builder's Risk" insurance. This insurance shall include the interests of the PWC, Contractor, and any Subcontractor(s) and shall be written on a one hundred percent (100%) completed value basis (full value as of the date that all construction is finished and includes the Contractor's Contract Price), and to remain in force until Completion of the Project.
- (v) Regardless of the nature of the work to be performed, coverage must also be provided for the theft or damage of building materials and supplies, which are not permanently attached or stored on Site for any period of time. This coverage shall be an "Installation Floater." If no building construction or repair is involved for the Project, the amount of the coverage shall equal the value of the materials stored on site.
- (b) Prior to initiating any Work on the Project, Contractor shall deliver certificates of insurance confirming each such coverage set forth above, and Contractor shall direct its insurers to provide annually to PWC certificates confirming each such coverage during the coverage period.
- (c) PWC shall be named as an additional insured in the comprehensive automobile and commercial liability insurance policies.
- (d) Contractor shall not reduce or allow the required insurance coverages to lapse without PWC's prior written approval. All policies for insurance must be endorsed to contain a provision giving PWC a thirty (30) calendar day prior written notice by certified mail of any cancellation of that policy or material reduction in coverage. Should a notice of cancellation be issued for non-payment of premiums or any part thereof, or should Contractor fail to provide and maintain certificates as set forth herein, PWC shall have the right, but shall not have the obligation, to pay such premium to the insurance company or to obtain such coverage and to deduct such payment from any sums that may be due or become due to Contractor, or to seek reimbursement for said payments from Contractor. Any such sums paid by PWC shall be due and payable immediately by Contractor upon notice from PWC.
- (e) The insurance coverage requirements shall not be construed as a limitation on Contractor's responsibilities and liabilities pursuant to the terms and conditions of this Agreement. Contractor's obligation to maintain insurance for three (3) years after Completion of the Project shall survive the termination of this Agreement.
- (f) If Contractor fails to obtain and maintain any required insurance, PWC may exclude Contractor from the Site, impose an appropriate set-off against payment, and exercise PWC's termination rights pursuant to the Contract Documents.
- (g) PWC does not represent that insurance coverage and limits established in this Contract necessarily will be adequate to protect Contractor or Contractor's interests.

## **Article VII. Contractor's Responsibilities**

### Section 7.01 Supervision and Superintendence

- (a) Contractor shall supervise, inspect, and direct the Work competently and efficiently, devoting such attention and applying such skills and expertise as may be necessary to

## General Conditions (Rev 7/11/2023)

perform the Work in accordance with the Contract Documents. Contractor shall be solely responsible for the means, methods, techniques, sequences, and procedures of construction subject to the terms, provisions, and specifications set forth in the Contract Documents.

- (b) At all times during the progress of the Work, Contractor shall assign a competent superintendent, satisfactory to Project Engineer, to supervise the Work and to respond to Project Engineer concerning PWC's interests in the Work.
- (c) Contractor's superintendent shall have full authority to act on behalf of Contractor and all communications, instructions, directions, and notices given to the superintendent by the Project Engineer shall be binding to the Contractor.
- (d) Contractor's superintendent shall be responsible for coordination of the Work with other contractors or subcontractors. The superintendent shall not be replaced without written notice to PWC except under extraordinary circumstances.
- (e) Subcontractors
  - (i) Contractor shall submit the names and references all Subcontractors to the Project Engineer for approval before commencing any Work.
    - 1) In the event Contractor seeks to substitute any Subcontractor that was identified in Contractor's Bid, Contractor shall promptly provide PWC with: (1) the Subcontractor it seeks to substitute; (2) the identity of the Subcontractor to be substituted; and (3) the reason for the requested substitution.
    - 2) PWC will review the requested substitution within five (5) Business Days and provide written approval or denial of the substitution, with such approval not to be unreasonably withheld.
  - (ii) Contractor's superintendent shall be available to be present at the Site at any time that any Subcontractor(s) is performing any of the Work. Construction activity shall be stopped if the Contractor's superintendent is not available to be at the Site.

### Section 7.02 Labor; Working Hours

- (a) Contractor shall provide competent, suitably qualified personnel to survey and lay out the Work and perform construction as required by the Contract Documents. Contractor shall at all times maintain good discipline and order at the Site. Contractor shall remove from the Project any person who appears incompetent, disorderly, or otherwise unsatisfactory. Contractor shall also remove any person who appears in PWC's sole discretion to be incompetent, disorderly, or otherwise unsatisfactory
- (b) Except as otherwise required for the safety or protection of persons or the Work or property at the Site or adjacent thereto, and except as otherwise stated in the Contract Documents, all Work at the Site shall be performed on Business Days. Contractor will not perform Work on non-Business Days. Contractor may perform Work outside regular working hours or on Saturdays, Sundays, or legal holidays only with PWC's written consent, which will not be unreasonably withheld. In such circumstances, Contractor shall submit a written request to PWC at least two (2) Business Days prior to any Work that it requests to complete on a

non-Business Day and PWC will, in its sole discretion, approve or deny such request. If such work outside of a Business Day is approved, PWC will set forth the specific parameters that Contractor must follow, including time of work, personnel, and any other issues.<sup>8</sup>

### Section 7.03 Services, Materials, and Equipment

- (a) Unless otherwise specified in the Contract Documents, Contractor shall provide and assume full responsibility for all services, materials, equipment, labor, transportation, construction equipment and machinery, tools, appliances, fuel, power, light, heat, telephone, water, sanitary facilities, temporary facilities, and all other facilities and incidentals necessary for the performance, testing, start up, and Completion of the Project, whether or not such items are specifically called for in the Contract Documents.
- (b) All materials and equipment incorporated into the Work shall be of good quality and new, except as otherwise specified in the Contract Documents. All special warranties and guarantees required by the Specifications shall expressly run to the benefit of PWC. If required by PWC or its designee, Contractor shall furnish satisfactory evidence (including reports of required tests) as to the source, kind, and quality of materials and equipment.
- (c) All materials and equipment shall be stored, applied, installed, connected, erected, protected, used, cleaned, and conditioned in accordance with instructions of the applicable Supplier, except as otherwise may be specified in the Contract Documents.

### Section 7.04 "Or Equals"

- (a) Whenever an item of material or equipment is specified or described in the Contract Documents by using the name of a proprietary item or the name of a particular Supplier, the specification or description of such an item is intended to establish the type, function, appearance, and quality required. Unless the specification or description contains or is followed by words reading that no like, equivalent, or "or equal" item is permitted, Contractor may request that Project Engineer authorize the use of other items of material or equipment under the circumstances described below.
  - (i) If Project Engineer determines that an item of material or equipment proposed by Contractor is functionally equal to that named and sufficiently similar so that no change in related Work will be required, Project Engineer shall deem it an "or equal" item and confirm such in writing to Contractor. A proposed item of material or equipment will be considered functionally equal to an item so named if:
    - 1) in the exercise of reasonable judgment Project Engineer determines that:
      - a) it is at least equal in materials of construction, quality, durability, appearance, strength, and design characteristics;
      - b) it will reliably perform at least equally well the function and achieve the results imposed by the design concept of the completed Project as a functioning whole;
      - c) it has a proven record of performance and availability of responsive service; and
      - d) it is not objectionable to PWC.
    - 2) Contractor certifies that, if approved and incorporated into the Work:
      - a) there will be no increase in the Contract Price or Contract Times; and

General Conditions (Rev 7/11/2023)

- b) it will conform substantially to the detailed requirements of the item specified in the Contract Documents.
- (b) Contractor shall provide all data in support of any proposed “or equal” item at Contractor’s expense.
- (c) Project Engineer will be allowed a reasonable time to evaluate each “or-equal” request. Project Engineer may require Contractor to furnish additional data about the proposed “or-equal” item. Project Engineer will be the sole judge of acceptability. Contractor shall not order, furnish, install, or utilize any “or-equal” it until Project Engineer has reviewed the request, determined that the proposed item is an “or-equal,” and provided written confirmation to Contractor.
- (d) Project Engineer’s denial of an “or-equal” request shall be final and binding and may not be reversed through an appeal under any provision of the Contract Documents.

Section 7.05 Concerning Subcontractors, Suppliers, and Others

- (a) Contractor may retain Subcontractors and Suppliers for the performance of parts of the Work. Such Subcontractors and Suppliers must be acceptable to PWC.
- (b) Contractor shall not subcontract more than forty-nine percent (49%) of the final Contract Price.
- (c) Contractor shall retain specific Subcontractors, Suppliers, or other individuals or entities for the performance of designated parts of the Work if required by the Contract Documents.
- (d) After the submittal of Contractor’s Bid or final negotiation of the terms of the Agreement, PWC may not require Contractor to retain any Subcontractor, Supplier, or other individual or entity to furnish or perform any of the Work.
- (e) Prior to entry into any binding subcontract or purchase order, Contractor shall submit to PWC the identity of the proposed Subcontractor or Supplier (unless PWC has already deemed such proposed Subcontractor or Supplier acceptable, during the bidding process or otherwise). Such proposed Subcontractor or Supplier shall be deemed acceptable to PWC unless PWC raises a substantive, reasonable objection within five (5) Business Days.
- (f) No acceptance by PWC of any such Subcontractor, Supplier, or other individual or entity, whether initially or as a replacement, shall constitute a waiver of the right of PWC to the completion of the Work in accordance with the Contract Documents.
- (g) Contractor shall be fully responsible to PWC for all acts and omissions of the Subcontractors, Suppliers, and other individuals or entities performing or furnishing any of the Work just as Contractor is responsible for Contractor’s own acts and omissions.
- (h) Contractor shall be solely responsible for scheduling and coordinating the Subcontractors, Suppliers, and all other individuals or entities performing or furnishing any of the Work.
- (i) Contractor shall restrict all Subcontractors, Suppliers, and such other individuals or entities performing or furnishing any of the Work from communicating with PWC, except through Contractor or in case of an emergency, or as otherwise expressly allowed herein.

- (j) All Work performed for Contractor by a Subcontractor or Supplier shall be pursuant to an appropriate contractual agreement that specifically binds the Subcontractor or Supplier to the applicable terms and conditions of the Contract Documents for the benefit of PWC.
- (k) PWC may furnish to any Subcontractor or Supplier, to the extent practicable, information about amounts paid to Contractor on account of Work performed for Contractor by the particular Subcontractor or Supplier.
- (l) Nothing in the Contract Documents:
  - (i) shall create for the benefit of any such Subcontractor, Supplier, or other individual or entity any contractual relationship between PWC or Design Engineer and any such Subcontractor, Supplier, or other individual or entity; nor
  - (ii) shall create any obligation on the part of PWC or Design Engineer to pay or to see to the payment of any money due any such Subcontractor, Supplier, or other individual or entity except as may otherwise be required by Laws and Regulations.

#### Section 7.06 Patent Fees and Royalties

- (a) Contractor shall pay all license fees and royalties and assume all costs incident to the use in the performance of the Work or the incorporation in the Work of any invention, design, process, product, or device that is the subject of patent rights or copyrights held by others. If a particular invention, design, process, product, or device is specified in the Contract Documents for use in the performance of the Work and if, to the actual knowledge of PWC, its use is subject to patent rights or copyrights calling for the payment of any license fee or royalty to others, the existence of such rights shall be disclosed by PWC in the Contract Documents.

#### Section 7.07 Permits

- (a) Unless otherwise specified in the Contract Documents, Contractor shall obtain and pay for all construction permits and licenses necessary to achieve Completion of the Project. Contractor shall timely seek assistance from PWC if necessary to obtain any permits or licenses; provided that, the Contract Time shall not be extended if PWC determines, in its discretion, that Contractor delayed or otherwise did not act expeditiously in requesting such assistance. PWC shall assist Contractor, when necessary, in obtaining such permits and licenses. Contractor shall pay all governmental charges and inspection fees necessary for Completion of the Project that are applicable at the time of the submission of Contractor's Bid.

#### Section 7.08 Taxes

- (a) Contractor shall pay all sales, consumer, use, and other similar taxes required to be paid by Contractor in accordance with the applicable Laws and Regulations for the Project and which are applicable during the performance of the Work.

#### Section 7.09 Laws and Regulations

- (a) Contractor shall give all notices required by, and shall comply with, all Laws and Regulations applicable to the Project. Except as otherwise expressly required, PWC shall

## General Conditions (Rev 7/11/2023)

not be responsible for monitoring Contractor's compliance with any Laws or Regulations.

- (b) Contractor shall bear all resulting costs and losses for any of its actions or inactions that are contrary to Laws or Regulations.
- (c) PWC or Contractor may give notice to the other party of any changes after the submission of Contractor's Bid (or after the date when Contractor became bound under the Agreement) concerning any Laws or Regulations having an effect on the Contract Price or Contract Times, including but not limited to changes in Laws or Regulations having an effect on procuring permits and on sales, use, value-added, consumption, and other similar taxes. If PWC and Contractor are unable to agree on entitlement to or on the amount or extent, if any, of any adjustment in Contract Price or Contract Times resulting from such changes, then within 30 calendar days of such notice Contractor may submit a Change Proposal.

### Section 7.10 Record Documents

- (a) Contractor shall maintain in good order one (1) printed record copy of all Drawings, Specifications, Addenda, Change Orders, Work Change Directives, Field Orders, written interpretations and clarifications, and approved Shop Drawings. These record documents, together with all approved Samples, will be available to Project Engineer for reference. Upon completion of the Work, Contractor shall deliver these record documents to PWC.

### Section 7.11 Safety and Protection

- (a) Contractor shall be solely responsible for initiating, maintaining, and supervising all safety precautions and programs in connection with the Work. Such responsibility does not relieve Subcontractors of their responsibility for the safety of persons or property in the performance of their work, nor for compliance with applicable safety Laws and Regulations. Contractor shall take all necessary precautions for the safety of, and shall provide the necessary protection to prevent damage, injury, or loss to:
  - (i) all persons on the Site or who may be affected by the Work;
  - (ii) all the Work and materials and equipment to be incorporated therein, whether in storage on or off the Site; and
  - (iii) other property at the Site or adjacent thereto, including trees, shrubs, lawns, walks, pavements, roadways, structures, other work in progress, utilities, and Underground Facilities not designated for removal, relocation, or replacement in the course of construction.
- (b) Contractor shall comply with all applicable Laws and Regulations relating to the safety of persons or property, or to the protection of persons or property from damage, injury, or loss, and shall erect and maintain all necessary safeguards for such safety and protection. Contractor shall notify PWC, the owners of adjacent property or Underground Facilities, and other contractors and owners performing work at or adjacent to the Site, when prosecution of the Work may affect them, and shall cooperate with them in the protection, removal, relocation, and replacement of their property or work in progress.
- (c) Contractor shall comply with the requirement of any of PWC's applicable health programs, which may be revised from time to time based on specific circumstances or applicable guidance from the Center for Disease Control or other applicable entity. Such health programs will be identified in the Special Conditions if applicable to the Project.

- (d) Contractor shall comply with the requirements of PWC's applicable safety programs. The Special Conditions identify any of PWC's safety programs that are applicable to the Project.
- (e) Contractor shall remedy, at its expense, all damage, injury, or loss to any property caused, directly or indirectly, in whole or in part, by Contractor, any Subcontractor, Supplier, or any other individual or entity directly or indirectly employed by any of them to perform any of the Work, or anyone for whose acts any of them may be liable.
- (f) Contractor's duties and responsibilities for safety and protection shall continue until such time as Completion of the Project is achieved.
- (g) Contractor's duties and responsibilities for safety and protection shall resume whenever Contractor or any Subcontractor or Supplier returns to the Site to fulfill warranty or correction obligations, or to conduct other tasks arising from the Contract Documents.
- (h) Contractor shall designate in writing to PWC a qualified and experienced safety representative at the Site whose duties and responsibilities shall be the prevention of accidents and the maintaining and supervising of safety precautions and programs.

#### Section 7.12 Emergencies

- (a) In emergencies affecting the safety or protection of persons or the Work or property at the Site or adjacent thereto, Contractor is obligated to, and shall, act to prevent threatened damage, injury, or loss. Contractor shall give PWC prompt written notice if Contractor believes that any significant changes in the Work or variations from the Contract Documents have been caused or are required as a result of any emergency. If PWC determines that a change in the Contract Documents is required because of the action taken by Contractor in response to such an emergency, a Work Change Directive or Change Order will be issued.

#### Section 7.13 Shop Drawings, Samples, and Other Submittals

- (a) Contractor shall timely submit Shop Drawings and Samples required by the Contract Documents to Project Engineer for review and approval in accordance with applicable specifications.
- (b) Before submitting a Shop Drawing or Sample, Contractor shall have
  - (i) reviewed the Shop Drawing or Sample with other Shop Drawings and Samples and with the requirements of the Work and the Contract Documents;
  - (ii) verified all measurements, quantities, dimensions, performance and design criteria, installation requirements, materials, catalog numbers, and similar information;
  - (iii) verified the suitability of all materials and equipment offered with respect to the indicated application, fabrication, shipping, handling, storage, assembly, and installation pertaining to the performance of the Work; and
  - (iv) verified all information relative to Contractor's responsibilities for means, methods, techniques, sequences, and procedures of construction, and safety precautions and programs incident thereto.
- (c) With each submittal, Contractor shall give Project Engineer specific written notice of any

General Conditions (Rev 7/11/2023)

variations that the Shop Drawing or Sample may have from the requirements of the Contract Documents. This notice shall be a written communication separate from the Shop Drawings or Sample submittal; and, in addition, in the case of Shop Drawings by a specific notation made on each Shop Drawing submitted to PWC for review and approval of each such variation.

- (d) Where a Shop Drawing or Sample is required by the Contract Documents, any related Work performed prior to Project Engineer's review and approval of the pertinent submittal will be at the sole expense and responsibility of Contractor.
- (e) Project Engineer will provide timely review of any required Shop Drawings and Samples. Such review, and subsequent determination of approval, will be only to determine if the items covered by the submittals will, after installation or incorporation in the Work, conform to the information given in the Contract Documents and be compatible with the design concept of the completed Project as a functioning whole as indicated by the Contract Documents.
- (f) Project Engineer's review and approval will not extend to means, methods, techniques, sequences, or procedures of construction or to safety precautions or programs incident thereto.
- (g) Project Engineer's review and approval of a Shop Drawing or Sample, or of a variation from the requirements of the Contract Documents, shall not change the Contract Times or Contract Price, unless such changes are included in a Change Order.
- (h) Project Engineer's receipt, review, acceptance or approval of a Shop Drawing, Sample, or other submittal shall not result in such item becoming a Contract Document.
- (i) Contractor shall perform the Work in compliance with the requirements and commitments set forth in approved Shop Drawings and Samples.
- (j) Resubmittal Procedures:
  - (i) Contractor shall make corrections required by Project Engineer and shall return the required number of corrected copies of Shop Drawings and submit new Samples as required for review and approval. Contractor shall direct specific attention in writing to revisions other than the corrections called for by PWC or Project Engineer on previous submittals.
  - (ii) Contractor shall furnish required submittals with sufficient information and accuracy to obtain required approval of an item with no more than three (3) submittals. If PWC has engaged a Design Engineer for the Project, Design Engineer will record Design Engineer's time for reviewing a fourth or subsequent submittal of a Shop Drawings, sample, or other item requiring approval, and Contractor shall be responsible for Design Engineer's charges to PWC for such time. PWC may impose a set-off against payments due to Contractor to secure reimbursement for such charges.
  - (iii) If Contractor requests a change of a previously approved submittal item, Contractor shall be responsible for Design Engineer's charges to PWC for its review time, and PWC may impose a set-off against payments due to Contractor to secure reimbursement for such charges, unless the need for such change is beyond the control of Contractor.

Section 7.14 Contractor's General Warranty and Guarantee

- (a) In order to induce PWC to enter into an Agreement with Contractor for the Project, Contractor warrants and guarantees to PWC that:
- (i) Contractor is duly licensed in the State of North Carolina to complete all Work necessary for the Project, is duly organized, validly existing and in good standing and has all requisite powers, rights, and authority to execute, enter into, and perform the Agreement in accordance with the terms and conditions of the Agreement, and the Agreement constitutes a legal, valid, and binding obligation of Contractor enforceable against it in accordance with its terms.
  - (ii) Contractor has read the Contract Documents, and acknowledges and understands all data, materials, specifications, and requirements identified in the Contract Documents.
  - (iii) Contractor has visited the site for the Project, conducted a thorough, visual examination of the site and adjacent areas, and become familiar with and is satisfied as to the general, local, and site conditions that may affect cost, progress, and performance in completing the Project.
  - (iv) Contractor is familiar with and is satisfied as to all laws and regulations that may affect cost, progress, and performance to complete the Project.
  - (v) Contractor has carefully studied all: (1) reports of explorations and tests of subsurface conditions at or adjacent to the site and all drawings of physical conditions relating to existing surface or subsurface structures at the site that have been identified in the Detail Specifications and any accompanying reports and drawings, and (2) reports and drawings relating to any Hazardous Environmental Condition at or adjacent to the site that have been identified in the Contract Documents and any accompanying reports and drawings.
  - (vi) Contractor has considered the information known to Contractor itself; information commonly known to contractors doing business in the locality of the Site; information and observations obtained from visits to the Site; the Contract Documents; and the Site-related reports and drawings identified in the Contract Documents, if any, with respect to the effect of such information, observations, and documents on (1) the cost, progress, and performance of the Work; (2) the means, methods, techniques, sequences, and procedures of construction to be employed by Contractor; and (3) Contractor's safety precautions and programs.
  - (vii) Based on the information and observations referred to in subsection "(v)" of this Section, Contractor agrees that no further examinations, investigations, explorations, tests, studies, or data are necessary for the performance of the Work at the Contract Price and in accordance with the other terms and conditions of the Contract Documents.
  - (viii) Contractor is aware of the general nature of work to be performed by PWC and others at the Site that relates to the Work as indicated in the Contract Documents.
  - (ix) Contractor has given PWC written notice of all conflicts, errors, ambiguities, or discrepancies that Contractor has discovered in the Contract Documents, and the written resolution thereof by PWC is acceptable to Contractor.
  - (x) The Contract Documents are generally sufficient to indicate and convey understanding of all terms and conditions for performance and furnishing of the Work.
  - (xi) Contractor's entry into this Agreement constitutes an incontrovertible representation by Contractor that, without exception, all prices in the Agreement are premised upon performing and furnishing the Work required by the Contract Documents.
  - (xii) Contractor has no business or personal relationship with any PWC Commissioner, officer, director, manager, or supervisor and Contractor covenants to disclose immediately to PWC any such relationship that develops during the performance of Work on the Project.

- (b) Contractor's obligation to perform and complete the Work in accordance with the Contract Documents shall be absolute. None of the following will constitute an acceptance of Work that is not in accordance with the Contract Documents or a release of Contractor's obligation to perform the Work in accordance with the Contract Documents:
  - (i) observations by Project Engineer;
  - (ii) recommendation by Project Engineer or payment by PWC of any progress or final payment;
  - (iii) the issuance of a certificate of Substantial Completion by Project Engineer or any payment related thereto by PWC;
  - (iv) use or occupancy of the Work or any part thereof by PWC;
  - (v) any review and approval of a Shop Drawing or Sample submittal;
  - (vi) the issuance of a notice of acceptability by Project Engineer;
  - (vii) any inspection, test, or approval by others; or
  - (viii) any correction of defective Work by PWC.
- (c) If the Contract Documents requires the Contractor to accept the assignment of a contract entered into by PWC, then the specific warranties, guarantees, and correction obligations contained in the assigned contract shall govern with respect to Contractor's performance obligations to PWC for the Work described in the assigned contract.

#### Section 7.15 Indemnification

- (a) Contractor shall indemnify, defend, and hold harmless PWC and its Commissioners, officers, employees, agents, and representatives and the City and its elected officials, managers, employees, agents, and representatives and Designer (collectively "Indemnitees") from and against all claims, actions, liabilities, damages, losses, costs, and expenses (including, without limitation, injury to or death of any persons and damage to property, economic and consequential damages and attorneys' fees) asserted by one or more third parties against one or more of the Indemnitees if the Fault of one or more Responsible Persons is a proximate cause of the loss, damage, or expense indemnified.
- (b) Contractor's obligation to indemnify, defend, and hold harmless the Indemnitees shall survive the termination of the Agreement.
- (c) In any and all claims against the Indemnitees of Contractor, any Subcontractor, any Supplier, or any individual or entity directly or indirectly employed by any of them to perform any of the Work, or anyone for whose acts any of them may be liable, Contractor's indemnification obligation shall not be limited in any way by any limitation on the amount or type of damages, compensation, or benefits payable by or for Contractor or any such Subcontractor, Supplier, or other individual or entity under workers' compensation acts, disability benefit acts, or other employee benefit acts.

#### Section 7.16 Claims Procedure

- (a) PWC shall notify the Contractor of all potential claims related to the Work within seven (7) calendar days of receiving notification or having knowledge of such potential claim. Should the Contractor receive a potential claim related to the Work, the Contractor shall notify PWC within seven (7) calendar days of receiving notification. The Contractor shall provide the claimant and PWC with a written response acknowledging receipt of the claim within

seven (7) calendar days.

- (b) If the Contractor meets with the Claimant about the claim, a representative designated by PWC shall be present at all times. PWC shall maintain a record of any claim received, and the steps taken to resolve. PWC shall also concurrently investigate each case. The Contractor agrees to furnish PWC any information regarding the claim, the actions which led to the claim and/or the investigation of the claim. Contractor shall provide their proposed response to PWC within thirty (30) calendar days of receiving the claim. Upon receipt of the response PWC and the Contractor will discuss and reach a mutual agreement of the response necessary to send to the Claimant within fifteen (15) calendar days. Once the agreement is made the Contractor shall make a formal written resolution to the claimant.
- (c) Failure to act in good faith or respond to a claim in the timelines established by the Contract Documents will constitute a lack of response by the Contractor, therefore validating the claim. PWC will deduct the total amount of the claim from the monthly pay application. Failure to comply with the above requirements for resolving claims may, at the sole discretion of PWC, result in breach of contract.
- (d) The Contractor is aware of these claims procedures and understands that it is the PWC's practice to pursue reimbursement/subrogation for any and all claims related expenses, which are incurred as a result of the Contractor's performance under this Contract Documents and allowed within the applicable statute of limitations.

#### Section 7.17 Delegation of Professional Design Services

- (a) Contractor will not be required to provide professional design services unless such services are specifically required by the Contract Documents for a portion of the Work or unless such services are required to carry out Contractor's responsibilities for construction means, methods, techniques, sequences and procedures. Contractor shall not be required to provide professional services in violation of applicable Laws and Regulations.
- (b) If professional design services or certifications by a design professional related to systems, materials, or equipment are specifically required of Contractor by the Contract Documents, PWC will specify all performance and design criteria that such services must satisfy. Contractor shall cause such services or certifications to be provided by a properly licensed professional, whose signature and seal shall appear on all drawings, calculations, specifications, certifications, and other submittals prepared by such professional. Shop Drawings and other submittals related to the Work designed or certified by such professional, if prepared by others, shall bear such professional's written approval when submitted to PWC.
- (c) PWC shall be entitled to rely upon the adequacy, accuracy, and completeness of the services, certifications, or approvals performed by such design professionals, provided PWC has specified to Contractor all performance and design criteria that such services must satisfy.
- (d) Pursuant to this Section, PWC's, or its designee's, review and approval of design calculations and design drawings will be only for the limited purpose of checking for conformance with performance and design criteria given and the design concept expressed in the Contract Documents. PWC specifically retains final approval of such

submittals.

- (e) Contractor shall not be responsible for the adequacy of the performance or design criteria specified by PWC.

## **Article VIII. PWC's Responsibilities**

- (a) In awarding the bid to Contractor and executing the applicable Agreement, PWC acknowledges the following responsibilities:
  - (i) Except as otherwise provided in these General Conditions, PWC shall issue all communications directly to Contractor or its designee.
  - (ii) PWC may at its discretion replace Design Engineer and Project Engineer. The replacement Design Engineer or Project Engineer's status under the Contract Documents shall be that of the former Design Engineer or Project Engineer.
  - (iii) PWC shall promptly furnish the data required of PWC under the Contract Documents.
  - (iv) PWC shall make payments to Contractor when they are due as provided in the Contract Documents.
  - (v) PWC shall not supervise, direct, or have control or authority over, nor be responsible for, Contractor's means, methods, techniques, sequences, or procedures of construction, or the safety precautions and programs incident thereto, or for any failure of Contractor to comply with Laws and Regulations applicable to the performance of the Work. PWC will not be responsible for Contractor's failure to perform the Work in accordance with the Contract Documents.
  - (vi) Upon request of Contractor, PWC shall furnish to Contractor reasonable evidence that financial arrangements have been made to satisfy PWC's obligations under the Contract Documents (including obligations under proposed changes in the Work).
  - (vii) While at the Site, PWC's employees and representatives shall comply with the specific applicable requirements of Contractor's safety programs of which PWC has been informed.
  - (viii) PWC shall furnish copies of any applicable PWC safety program(s) to Contractor, which Contractor shall review and implement.

## **Article IX. Amending the Contract Documents; Changes in the Work**

### **Section 9.01 Amending and Supplementing Contract Documents**

- (a) The Contract Documents may be amended or supplemented by a Change Order, a Work Change Directive, or a Field Order.
  - (i) Change Orders: If an amendment or supplement to the Contract Documents includes a change in the Contract Price or the Contract Times, such amendment or supplement must be set forth in a Change Order. A Change Order also may be used to establish amendments and supplements of the Contract Documents that do not affect the Contract Price or Contract Times.
  - (ii) Work Change Directives: A Work Change Directive will not change the Contract Price or the Contract Times, but is evidence that the parties expect that the modification ordered or documented by a Work Change Directive will be incorporated in a subsequently issued Change Order, following negotiations by the parties as to the Work Change Directive's effect, if any, on the Contract Price and Contract Times; or, if negotiations are

unsuccessful, by a determination under the terms of the Contract Documents governing adjustments, expressly including Paragraph 9.04 regarding change of Contract Price. Contractor must submit any Change Proposal seeking an adjustment of the Contract Price or the Contract Times, or both, no later than 30 days after the completion of the Work set out in the Work Change Directive. PWC must submit any dispute or request seeking an adjustment of the Contract Price or the Contract Times, or both, no later than 60 days after issuance of the Work Change Directive.

- (iii) Field Orders: Project Engineer may authorize minor changes in the Work if the changes do not involve an adjustment in the Contract Price or the Contract Times and are compatible with the design concept of the completed Project as a functioning whole as indicated by the Contract Documents. Such changes will be accomplished by a Field Order and will be binding on PWC and on Contractor, which shall perform promptly the Work involved. If Contractor believes that a Field Order justifies an adjustment in the Contract Price or Contract Times, or both, then before proceeding with the Work at issue, Contractor shall submit a Change Proposal as provided herein.

#### Section 9.02 PWC-Authorized Changes in the Work

- (a) Without invalidating the Agreement and without notice to any surety, PWC may, at any time or from time to time, order additions, deletions, or revisions in the Work. Such changes shall be supported by Design Engineer's recommendation when applicable and to the extent the change involves the design (as set forth in the Drawings, Specifications, or otherwise), or other engineering or technical matters. Such changes may be accomplished by a Change Order or by a Work Change Directive. Upon receipt of any such document, Contractor shall promptly proceed with the Work as revised. Nothing in this paragraph shall obligate Contractor to undertake work that Contractor reasonably concludes cannot be performed in a manner consistent with Contractor's safety obligations under the Contract Documents or Laws and Regulations.

#### Section 9.03 Unauthorized Changes in the Work

- (a) Contractor shall not be entitled to an increase in the Contract Price or an extension of the Contract Times with respect to any work performed that is not required by the Contract Documents, as amended, modified, or supplemented.

#### Section 9.04 Change of Contract Price

- (a) The Contract Price may only be changed by a Change Order. Any Change Proposal for an adjustment in the Contract Price shall comply with the provisions of these General Conditions.
- (b) An adjustment in the Contract Price will be determined as follows:
  - (i) where the Work involved is covered by unit prices contained in the Contract Documents, then by application of such unit prices to the quantities of the items involved; or
  - (ii) where the Work involved is not covered by unit prices contained in the Contract Documents, then by a mutually agreed lump sum (which may include an allowance for overhead and profit as agreed to in writing by the Parties); or
  - (iii) where the Work involved is not covered by unit prices contained in the Contract Documents and the Parties do not reach mutual agreement to a lump sum, then on the basis of the Cost of the Work plus a reasonable Contractor's fee for overhead and profit.

- (c) Contractor's Fee: When applicable, the Contractor's fee for overhead and profit shall be determined as follows:
- (i) a mutually acceptable fixed fee; or
  - (ii) if a fixed fee is not agreed upon, then a fee based on the following percentages of the various portions of the Cost of the Work:
    - 1) for unit prices, the Contractor's fee shall be fifteen percent (15%);
    - 2) for all other costs incurred, the Contractor's fee shall be five percent (5%);
    - 3) the amount of credit to be allowed by Contractor to PWC for any change that results in a net decrease in the Contract Price will be the amount of the actual net decrease in cost plus a deduction in Contractor's fee by an amount equal to five percent of such net decrease; and
    - 4) when both additions and credits are involved in any one change, the adjustment in Contractor's fee shall be computed on the basis of the net change.

#### Section 9.05 Change of Contract Times

- (a) The Contract Times may only be changed by a Change Order. Any Change Proposal for an adjustment in the Contract Times shall comply with the provisions of Paragraph 9.06.
- (b) An adjustment of the Contract Times shall be subject to the limitations set forth in these Contract Documents as it concerns delays in Contractor's progress.

#### Section 9.06 Change Proposals

- (a) Contractor shall submit a Change Proposal to PWC to request an adjustment in the Contract Times and/or Contract Price. The Change Proposal shall specify any proposed change in Contract Times or Contract Price, or both, or other proposed relief, and explain the reason for the proposed change, with citations to any governing or applicable provisions of the Contract Documents.
  - (i) Procedures: Contractor shall submit each Change Proposal to PWC promptly (but in no event later than 30 days) after the start of the event giving rise thereto, or after such initial decision. The Contractor shall submit supporting data, including the proposed change in Contract Price or Contract Time (if any), to PWC within 15 calendar days after the submittal of the Change Proposal. The supporting data shall be accompanied by a written statement that the supporting data are accurate and complete, and that any requested time or price adjustment is the entire adjustment to which Contractor believes it is entitled as a result of said event.
  - (ii) PWC Action: PWC will review each Change Proposal and, within 30 calendar days after receipt of the Contractor's supporting data, either deny the Change Proposal in whole, approve it in whole, or deny it in part and approve it in part. Such actions shall be in writing to Contractor. If PWC does not take action on the Change Proposal within 30 calendar days, then the Change Proposal is deemed denied, thereby commencing the time for appeal under these General Conditions.
  - (iii) Binding Decision: PWC's decision will be final and binding unless Contractor appeals the decision.

Section 9.07 Execution of Change Orders

- (a) PWC and Contractor shall execute appropriate Change Orders covering:
  - (i) changes in the Contract Price or Contract Times that are agreed to by the parties, including any undisputed sum or amount of time for Work performed in accordance with a Work Change Directive;
  - (ii) changes in Contract Price resulting from a PWC set-off, unless Contractor has duly contested such set-off;
  - (iii) changes in the Work which are: (a) ordered by PWC, (b) required because of PWC's acceptance of defective Work or PWC's correction of defective Work, or (c) agreed to by the parties, subject to the need for Design Engineer's recommendation if the change in the Work involves the design (as set forth in the Contract Documents), or other engineering or technical matters; and
  - (iv) changes in the Contract Price or Contract Times, or other changes, which embody the substance of any final and binding results.
- (b) If PWC or Contractor refuses to execute a Change Order that is required to be executed under the terms of this Section, it shall be deemed to be of full force and effect as if fully executed.

Section 9.08 Notification to Surety

- (a) If the provisions of any bond require notice to be given to a surety of any change affecting the general scope of the Work or the provisions of the Contract Documents (including, but not limited to, Contract Price or Contract Times), the giving of any such notice will be Contractor's responsibility. The amount of each applicable bond will be adjusted to reflect the effect of any such change.

**Article X. Tests, Inspections, and Approvals; Correction, Removal, or Acceptance of Defective Work**

Section 10.01 Access to Work

- (a) PWC, Design Engineer, their consultants and other representatives and personnel of PWC, independent testing laboratories, and authorities having jurisdiction will have access to the Site and the Work at reasonable times for their observation, inspection, and testing. Contractor shall provide them proper and safe conditions for such access and advise them of Contractor's safety procedures and programs so that they may comply therewith as applicable.

Section 10.02 Tests, Inspections, and Approvals

- (a) Contractor shall give Project Engineer timely notice of readiness of the Work (or specific parts thereof) for all required inspections and tests and shall cooperate with inspection and testing personnel to facilitate required inspections and tests.
- (b) PWC shall retain and pay for the initial services of an independent inspector, testing laboratory, or other qualified individual or entity to perform all inspections and tests expressly required by the Contract Documents to be furnished and paid for by PWC, except those costs incurred in connection with tests or inspections of covered Work shall

be governed by the provisions of Paragraph 10.05.

- (c) If Laws or Regulations of any public body having jurisdiction require any Work (or part thereof) specifically to be inspected, tested, or approved by an employee or other representative of such public body, Contractor shall assume full responsibility for arranging and obtaining such inspections, tests, or approvals, pay all costs in connection therewith, and furnish the required certificates of inspection or approval to PWC.
- (d) Contractor shall be responsible for arranging, obtaining, and paying for all inspections and tests required:
  - (i) by the Contract Documents, unless the Contract Documents expressly allocate responsibility for a specific inspection or test to PWC;
  - (ii) to attain PWC's and Design Engineer's acceptance of materials or equipment to be incorporated in the Work;
  - (iii) by manufacturers of equipment furnished under the Contract Documents;
  - (iv) for testing, adjusting, and balancing of mechanical, electrical, and other equipment to be incorporated into the Work; and
  - (v) for acceptance of materials, mix designs, or equipment submitted for approval prior to Contractor's purchase thereof for incorporation in the Work.

Such inspections and tests shall be performed by independent inspectors, testing laboratories, or other qualified individuals or entities acceptable to PWC, as confirmed in writing by Project Engineer to Contractor.

- (e) If the Contract Documents require the Work (or part thereof) to be approved by PWC or its designee, then Contractor shall assume full responsibility for arranging and obtaining such approvals.
- (f) If any Work (or the work of others) that is to be inspected, tested, or approved is covered by Contractor without written concurrence of Project Engineer, Contractor shall, if requested by Project Engineer, uncover such Work for observation. Such uncovering shall be at Contractor's expense unless Contractor had given PWC timely notice of Contractor's intention to cover the same and PWC had not acted with reasonable promptness in response to such notice.

### Section 10.03      Defective Work

- (a) It is Contractor's obligation to assure that the Work is not defective.
- (b) PWC or its designee has the authority to determine whether Work is defective, and to reject defective Work.
- (c) Prompt notice of all defective Work of which PWC has actual knowledge will be given to Contractor.
- (d) Promptly after receipt of written notice of defective Work, Contractor shall correct all such defective Work, whether or not fabricated, installed, or completed, or, if PWC has rejected the defective Work, remove it from the Project and replace it with Work that is not defective.

## General Conditions (Rev 7/11/2023)

- (e) When correcting defective Work, Contractor shall take no action that would void or otherwise impair PWC's special warranty and guarantee, if any, on said Work.
- (f) In addition to its correction, removal, and replacement obligations with respect to defective Work, Contractor shall pay all claims, costs, losses, and damages arising out of or relating to defective Work, including but not limited to the cost of the inspection, testing, correction, removal, replacement, or reconstruction of such defective Work, fines levied against PWC by governmental authorities because the Work is defective, and the costs of repair or replacement of work of others resulting from defective Work. Prior to final payment, if PWC and Contractor are unable to agree as to the measure of such claims, costs, losses, and damages resulting from defective Work, then PWC may impose a reasonable set-off against payments due.

### Section 10.04 Acceptance of Defective Work

- (a) If, instead of requiring correction or removal and replacement of defective Work, PWC prefers to accept it, PWC may do so (subject, if such acceptance occurs prior to final payment, to Design Engineer's confirmation that such acceptance is in general accord with the design intent and applicable engineering principles and will not endanger public safety).
- (b) Contractor shall pay all claims, costs, losses, and damages attributable to PWC's evaluation of and determination to accept such defective Work (such costs to be approved by PWC as to reasonableness), and for the diminished value of the Work to the extent not otherwise paid by Contractor. If any such acceptance occurs prior to final payment, the necessary revisions in the Contract Documents with respect to the Work shall be incorporated in a Change Order.
- (c) If the parties are unable to agree as to the decrease in the Contract Price, reflecting the diminished value of Work so accepted, then PWC may impose a reasonable set-off against payments due. If the acceptance of defective Work occurs after final payment, Contractor shall pay an appropriate amount to PWC.

### Section 10.05 Uncovering Work

- (a) PWC has discretion to require, at its initial cost, additional inspection or testing of the Work, whether or not the Work is fabricated, installed, or completed.
- (b) If any Work is covered contrary to the written request of PWC, then Contractor shall, if requested by PWC or its designee, uncover such Work for observation, and then replace the covering, all at Contractor's expense.
- (c) If PWC considers it necessary or advisable that covered Work be observed by PWC or inspected or tested by others, then Contractor, at PWC's request, shall uncover, expose, or otherwise make available for observation, inspection, or testing as PWC may require, that portion of the Work in question, and provide all necessary labor, material, and equipment.
  - (i) If it is found that the uncovered Work is defective, Contractor shall be responsible for all claims, costs, losses, and damages arising out of or relating to such uncovering, exposure, observation, inspection, and testing, and of satisfactory replacement or reconstruction (including but not limited to all costs of repair or replacement of work of others); and pending Contractor's full discharge of this responsibility PWC shall be entitled to impose a reasonable set-off against payments due.

## General Conditions (Rev 7/11/2023)

- (ii) If the uncovered Work is not found to be defective, Contractor shall be allowed an increase in the Contract Price or an extension of the Contract Times, or both, directly attributable to such uncovering, exposure, observation, inspection, testing, replacement, and reconstruction. If the parties are unable to agree as to the amount or extent thereof, then Contractor may submit a Change Proposal within 30 calendar days of the determination that the Work is not defective.

### Section 10.06 PWC May Stop the Work

- (a) If the Work is defective, or Contractor fails to supply sufficiently skilled workers or suitable materials or equipment, or fails to perform the Work in such a way that the completed Work will conform to the Contract Documents, then PWC may order Contractor to stop the Work, or any portion thereof, until the cause for such order has been eliminated; however, this right of PWC to stop the Work shall not give rise to any duty on the part of PWC to exercise this right for the benefit of Contractor, any Subcontractor, any Supplier, any other individual or entity, or any surety for, or employee or agent of any of them.

### Section 10.07 PWC May Correct Defective Work

- (a) If Contractor fails within the time specified by PWC in a written notice from PWC to correct defective Work, or to remove and replace rejected Work as required by PWC, or if Contractor fails to perform the Work in accordance with the Contract Documents, or if Contractor fails to comply with any other provision of the Contract Documents, then PWC may, after seven (7) calendar days written notice to Contractor, correct or remedy any such deficiency.
- (b) In exercising the rights and remedies under this Section, PWC shall proceed expeditiously. In connection with such corrective or remedial action, PWC may exclude Contractor from all or part of the Site, take possession of all or part of the Work and suspend Contractor's services related thereto, and incorporate in the Work all materials and equipment stored at the Site or for which PWC has paid Contractor but which are stored elsewhere. Contractor shall allow PWC and its officers, employees, representatives, agents and other contractors, and Design Engineer and its employees and agents access to the Site to enable PWC to exercise the rights and remedies under this Section.
- (c) All claims, costs, losses, and damages incurred or sustained by PWC in exercising the rights and remedies under this Section will be charged against Contractor as set-offs against payments due. Such claims, costs, losses and damages will include but not be limited to all costs of repair, or replacement of work of others destroyed or damaged by correction, removal, or replacement of Contractor's defective Work.
- (d) Contractor shall not be allowed an extension of the Contract Times because of any delay in the performance of the Work attributable to the exercise by PWC of PWC's rights and remedies under this Section.

## **Article XI. Claims**

### Section 11.01 Claims Process

- (a) The following disputes between PWC and Contractor shall be submitted to the Claims process set forth in this Article:

- (i) Appeals by PWC or Contractor of Design Engineer's decisions regarding Change Proposals;
- (ii) PWC or Contractor's demands for adjustments in the Contract Price or Contract Times, or other relief under the Contract Documents; and
- (iii) Disputes that Design Engineer has been unable to address because they do not involve the design (as set forth in the Contract Documents), the acceptability of the Work, or other engineering or technical matters.

Section 11.02      Submittal of Claim

- (a) The party submitting a claim shall deliver it directly to the other party to the Agreement promptly (but in no event later than 30 calendar days) after the start of the event giving rise thereto; in the case of appeals regarding Change Proposals within 30 calendar days of the decision under appeal. The responsibility to substantiate a claim shall rest with the party making the claim. In the case of a claim by Contractor seeking an increase in the Contract Times or Contract Price, or both, Contractor shall certify that the claim is made in good faith, that the supporting data are accurate and complete, and that to the best of Contractor's knowledge and belief the amount of time or money requested accurately reflects the full amount to which Contractor is entitled.

Section 11.03      Review and Resolution

- (a) The party receiving a Claim shall review it thoroughly, giving full consideration to its merits. The two parties shall seek to resolve the Claim through the exchange of information and direct negotiations. The parties may extend the time for resolving the Claim by mutual agreement. All actions taken on a Claim shall be stated in writing and submitted to the other party.

Section 11.04      Dispute Resolution

- (a) In the event of any dispute, controversy, or claim of any kind or nature arising under or in connection with this Agreement (a "Dispute") and involving any two or more of the following parties, PWC, Design Engineer, Contractor or any subcontractor of Contractor, the party initiating the Dispute shall serve written notice of a Dispute on the party(ies) to the dispute, and those parties shall endeavor to settle the dispute first through direct, informal discussions between the parties' selected representatives. Any such representative(s) shall have binding authority to settle the Dispute. In the event the parties do not settle the Dispute within ten (10) calendar days from the date of written notice of the Dispute, any party to the Dispute may, by written notice to the other party(ies), engage a mediator certified under the laws of the State of North Carolina to mediate the Dispute within thirty (30) calendar days of such notice. The parties to the Dispute shall attend mediation in good faith. In the event mediation is unsuccessful, any party to the dispute may initiate arbitration proceedings. Any controversy or claim arising out of or relating to the Contract Documents, or the breach thereof, shall be settled by binding arbitration administered by the American Arbitration Association under its Construction Industry Arbitration Rules, and judgment on the award rendered by the arbitrator(s) may be entered in any court having jurisdiction thereof. All of the foregoing dispute resolution procedures shall be held in Cumberland County, North Carolina. The costs of the mediator and arbitrator in a dispute resolution process shall be divided equally among the parties to the process; provided, however, PWC shall bear at least one-third of the cost if PWC is a party to the dispute resolution and the remainder of the cost shall be divided equally among the other parties

participating in the dispute resolution. PWC shall, in its contractual arrangements with Design Engineer, and Contractor shall, in its contracts with Subcontractors and they in their contracts with lower-tier subcontractors authorize and direct such parties to participate in the dispute resolution procedures set forth in this Section. Unless otherwise directed in writing by PWC, Contractor shall continue the Project and maintain compliance with the scheduling deadlines set forth in the Contract Documents during any dispute resolution proceedings. If Contractor continues to perform, PWC shall make payments due for the continued performance in accordance with this Agreement. The provisions of this Section shall not extend any applicable statutes of limitation or repose.

## **Article XII. Payments to Contractor; Set-Offs; Completion; Correction Period**

### **Section 12.01      Progress Payments**

- (a) The Schedule of Values will serve as the basis for progress payments and will be incorporated into a form of Application for Payment acceptable to the Project Engineer. Progress payments on account of Unit Price Work will be based on the number of units completed during the pay period. Progress payments for cost-based Work will be based on the Cost of the Work completed by the Contractor during the pay period.
- (b) Applications for Payments:
  - (i) Contractor shall submit to Project Engineer for review an Application for Payment filled out and signed by Contractor covering the Work completed as of the date of the Application and accompanied by such supporting documentation as is required by the Contract Documents. If payment is requested on the basis of materials and equipment not incorporated in the Work but delivered and suitably stored at the Site or another location agreed to in writing, the Application for Payment shall also be accompanied by a bill of sale, invoice, or other documentation warranting that PWC has received the materials and equipment free and clear, and evidence that the materials and equipment are covered by appropriate property insurance, a warehouse bond, or other arrangements to protect PWC's interest.
  - (ii) Beginning with the second Application for Payment, each Application shall include an affidavit of Contractor stating that all previous progress payments received on account of the Work have been applied on account to discharge Contractor's legitimate obligations associated with prior Applications for Payment.
  - (iii) The amount of retainage for progress payments will be as stipulated in the Contract Documents.
- (c) Review of Applications:
  - (i) Project Engineer will, within ten (10) Business Days after receipt of each Application for Payment, including each resubmittal, either indicate in writing a recommendation of payment and present the Application to PWC, or return the Application to Contractor indicating in writing Project Engineer's reason(s) for refusing to recommend payment. In the latter case, the Contractor may make the necessary corrections and resubmit the Application.
  - (ii) Project Engineer's recommendation of any payment requested in an Application for Payment will constitute a representation by Project Engineer to PWC, based on Project Engineer's observations of the executed Work, and on Project Engineer's review of the

General Conditions (Rev 7/11/2023)

Application for Payment and the accompanying data and schedules, that to the best of Project Engineer's knowledge, information, and belief:

- 1) the Work has progressed to the point indicated;
  - 2) the quality of the Work is generally in accordance with the Contract Documents (subject to an evaluation of the Work as a functioning whole prior to or upon Substantial Completion, the results of any subsequent tests called for in the Contract Documents, a final determination of quantities and classifications for Unit Price Work, and any other qualifications stated in the recommendation); and
  - 3) the conditions precedent to Contractor's being entitled to such payment appear to have been fulfilled in so far as it is Project Engineer's responsibility to observe the Work.
- (iii) By recommending any such payment Project Engineer will not thereby be deemed to have represented that:
- 1) inspections made to check the quality or the quantity of the Work as it has been performed have been exhaustive, extended to every aspect of the Work in progress, or involved detailed inspections of the Work beyond the responsibilities specifically assigned to Project Engineer in the Contract Documents; or
  - 2) there may not be other matters or issues between the parties that might entitle Contractor to be paid additionally by PWC or entitle PWC to withhold payment to Contractor.
- (iv) Neither Project Engineer's review of Contractor's Work for the purposes of recommending payments nor Project Engineer's recommendation of any payment, including final payment, will impose responsibility on Project Engineer:
- 1) to supervise, direct, or control the Work, or
  - 2) for the means, methods, techniques, sequences, or procedures of construction, or the safety precautions and programs incident thereto, or
  - 3) for Contractor's failure to comply with Laws and Regulations applicable to Contractor's performance of the Work, or
  - 4) to make any examination to ascertain how or for what purposes Contractor has used the money paid on account of the Contract Price.
- (v) Project Engineer may refuse to recommend the whole or any part of any payment if, in Project Engineer's opinion, it would be incorrect to make the representations to PWC outlined in this Section.
- (d) Project Engineer will recommend reductions in payment (set-offs) necessary in Project Engineer's opinion to protect PWC from loss because:
- (i) the Work is defective, requiring correction or replacement;
  - (ii) the Contract Price has been reduced by Change Orders;
  - (iii) PWC has been required to correct defective Work or has accepted defective Work in accordance with these General Conditions;
  - (iv) PWC has been required to remove or remediate a Hazardous Environmental Condition for which Contractor is responsible; or
  - (v) Project Engineer has actual knowledge of the occurrence of any of the events that would constitute a default by Contractor and therefore justify termination for cause under the Contract Documents.

(e) Payment Becomes Due:

- (i) Twenty (20) Business Days after presentation of the Application for Payment to PWC with Project Engineer's recommendation, the amount recommended (subject to any PWC set offs) will become due, and when due will be paid by PWC to Contractor.

(f) Reductions in Payment by PWC:

- (i) In addition to any reductions in payment (set-offs) recommended by Project Engineer, PWC is entitled to impose a set-off against payment based on any of the following:

- 1) PWC has incurred costs, losses, or damages on account of Contractor's conduct in the performance or furnishing of the Work, including but not limited to claims, costs, losses, or damages from workplace injuries, adjacent property damage, non-compliance with Laws and Regulations, and patent infringement;
- 2) Contractor has failed to take reasonable and customary measures to avoid damage, delay, disruption, and interference with other work at or adjacent to the Site;
- 3) Contractor has failed to provide and maintain required bonds or insurance;
- 4) PWC has been required to remove or remediate a Hazardous Environmental Condition for which Contractor is responsible;
- 5) PWC has incurred extra charges or engineering costs related to submittal reviews, evaluations of proposed substitutes, tests and inspections, or return visits to manufacturing or assembly facilities;
- 6) the Work is defective, requiring correction or replacement;
- 7) PWC has been required to correct defective Work or has accepted defective Work in accordance with the Contract Documents;
- 8) the Contract Price has been reduced by Change Orders;
- 9) an event that would constitute a default by Contractor and therefore justify a termination for cause has occurred;
- 10) liquidated damages have accrued as a result of Contractor's failure to achieve Milestones, Substantial Completion, or Completion of the Project; or
- 11) there are other items entitling PWC to a set off against the amount recommended.

- (ii) If PWC imposes any set-off against payment, whether based on its own knowledge or on the written recommendations of Project Engineer, PWC will give Contractor immediate written notice stating the reasons for such action and the specific amount of the reduction, and promptly pay Contractor any amount remaining after deduction of the amount so withheld. PWC shall promptly pay Contractor the amount so withheld, or any adjustment agreed to by PWC and Contractor if Contractor remedies the reasons for such action. The reduction imposed shall be binding on Contractor unless it duly submits a Change Proposal contesting the reduction.

- (iii) Upon a subsequent determination that PWC's refusal of payment was not justified, the amount wrongfully withheld shall be treated as an amount due and subject to interest as provided in the Contract Documents.

Section 12.02      Substantial Completion

- (a) When Contractor considers the entire Work ready for its intended use Contractor shall notify PWC and Design Engineer in writing that the entire Work is substantially complete and request that PWC acknowledge in writing that Contractor has met Substantial Completion.

- (b) Promptly after Contractor's notification, PWC, Contractor, and Design Engineer shall make an inspection of the Work to determine the status of completion. If PWC does not consider the Work substantially complete, PWC will notify Contractor in writing giving the reasons therefor. PWC shall thereafter submit to Contractor an initial draft of punch list items to be completed or corrected before final payment.
- (c) If Design Engineer considers the Work substantially complete, Design Engineer will deliver to PWC a preliminary certificate of Substantial Completion which shall fix the date of Substantial Completion. Design Engineer shall attach to the certificate a punch list of items to be completed or corrected before final payment. PWC shall have seven (7) Business Days after receipt of the preliminary certificate to make written objection to Design Engineer as to any provisions of the certificate or attached punch list. If, after considering the objections to the provisions of the preliminary certificate, PWC concludes that the Work is not substantially complete, PWC will, within fourteen (14) calendar days after submission of the preliminary certificate to PWC, notify Contractor in writing that the Work is not substantially complete, stating the reasons therefor.
- (d) At the time of receipt of the preliminary certificate of Substantial Completion, PWC and Contractor will confer regarding PWC's use or occupancy of the Work following Substantial Completion, review the builder's risk insurance policy with respect to the end of the builder's risk coverage, and confirm the transition to coverage of the Work under a permanent property insurance policy held by PWC. Unless PWC and Contractor agree otherwise in writing, PWC shall bear responsibility for security, operation, protection of the Work, property insurance, maintenance, heat, and utilities upon PWC use or occupancy of the Work.
- (e) After Substantial Completion the Contractor shall promptly begin work on the punch list of items to be completed or corrected prior to final payment and shall complete such items within the time specified by PWC. In appropriate cases Contractor may submit monthly Applications for Payment for completed punch list items, following the progress payment procedures set forth above.
- (f) PWC shall have the right to exclude Contractor from the Site after the date of Substantial Completion subject to allowing Contractor reasonable access to remove its property and complete or correct items on the punch list.

Section 12.03      Partial Use or Occupancy

- (a) Prior to Substantial Completion of all the Work, PWC may use or occupy any substantially completed part of the Work which has specifically been identified in the Contract Documents, or which PWC, Design Engineer, and Contractor agree constitutes a separately functioning and usable part of the Work that can be used by PWC for its intended purpose without significant interference with Contractor's performance of the remainder of the Work, subject to the following conditions:
  - (i) At any time PWC may request in writing that Contractor permit PWC to use or occupy any such part of the Work that PWC believes to be substantially complete.
  - (ii) At any time Contractor may notify PWC and Design Engineer in writing that Contractor considers any such part of the Work substantially complete and request Design Engineer

## General Conditions (Rev 7/11/2023)

to issue a certificate of Substantial Completion for that part of the Work.

- (iii) Within a reasonable time after either such request, PWC, Contractor, and Design Engineer shall make an inspection of that part of the Work to determine its status of completion. If Design Engineer does not consider that part of the Work to be substantially complete, Design Engineer will notify PWC and Contractor in writing giving the reasons therefor.
- (iv) No use or occupancy or separate operation of part of the Work may occur prior to compliance with the requirements regarding builder's risk or other property insurance.

### Section 12.04 Final Inspection

- (a) Upon written notice from Contractor that Completion of the Project has been achieved or an agreed portion thereof is complete, PWC will promptly make a final inspection with Project Engineer, Design Engineer, and Contractor and will notify Contractor in writing of all particulars in which this inspection reveals that the Work, or agreed portion thereof, is incomplete or defective. Contractor shall immediately take such measures as are necessary to complete such Work or remedy such deficiencies.

### Section 12.05 Final Payment

- (a) Application for Payment:
  - (i) After Contractor has, in the opinion of PWC, satisfactorily completed all corrections identified during the final inspection and has delivered, in accordance with the Contract Documents, all maintenance and operating instructions, schedules, guarantees, bonds, certificates or other evidence of insurance, certificates of inspection, annotated record documents, and other documents, Contractor may make application for final payment.
  - (ii) The final Application for Payment shall be accompanied (except as previously delivered) by:
    - 1) all documentation called for in the Contract Documents;
    - 2) consent of the surety, if any, to final payment;
    - 3) satisfactory evidence that all title issues have been resolved such that title to all Work, materials, and equipment has passed to PWC free and clear or will so pass upon final payment;
    - 4) a list of all disputes that Contractor believes are unsettled; and
    - 5) complete and legally effective releases or waivers (satisfactory to PWC) required by the Contract Documents.
  - (iii) If Design Engineer is satisfied that the Work has been completed and Contractor's other obligations under the Contract have been fulfilled, Design Engineer will, within ten (10) Business Days after receipt of the final Application for Payment, indicate in writing Design Engineer's recommendation of final payment and present the Application for Payment to PWC for payment. Such recommendation shall account for any set-offs against payment that are necessary in Design Engineer's opinion to protect PWC from loss for the reasons stated above with respect to progress payments. At the same time Design Engineer will also give written notice to PWC and Contractor that the Work is acceptable and that Completion of the Project has been achieved. Otherwise, Design Engineer will return the Application for Payment to Contractor, indicating in writing the reasons for refusing to recommend final payment, in which case Contractor shall make the necessary corrections and resubmit the Application for Payment.
  - (iv) Within thirty (30) calendar days after the presentation to PWC of the final Application for

## General Conditions (Rev 7/11/2023)

Payment and accompanying documentation, the amount recommended by Design Engineer (less any further sum PWC is entitled to set off against Design Engineer's recommendation, including but not limited to set-offs for liquidated damages and set-offs allowed under the provisions above with respect to progress payments) will become due and shall be paid by PWC to Contractor.

### Section 12.06 Waiver of Claims

- (a) The making of final payment will not constitute a waiver by PWC of claims or rights against Contractor. PWC expressly reserves claims and rights arising from defective Work appearing after final inspection, from Contractor's failure to comply with the Contract Documents or the terms of any special guarantees specified therein, from Contractor's indemnification obligations, or from Contractor's continuing obligations under the Contract Documents.
- (b) The acceptance of final payment by Contractor will constitute a waiver by Contractor of all claims and rights against PWC other than those pending matters that have been duly submitted or appealed under the provisions of the Contract Documents.

### Section 12.07 Correction Period

- (a) If within one (1) year after the date of Substantial Completion (or such longer period of time as may be prescribed by the terms of any applicable special guarantee required by the Contract Documents, or by any specific provision of the Contract Documents), any Work is found to be defective, or if the repair of any damages to the Site, adjacent areas that Contractor has arranged to use through construction easements or otherwise, and other adjacent areas used by Contractor as permitted by Laws and Regulations, is found to be defective, then Contractor shall promptly, without cost to PWC and in accordance with PWC's written instructions:
  - (i) correct the defective repairs to the Site or such other adjacent areas;
  - (ii) correct such defective Work;
  - (iii) if the defective Work has been rejected by PWC, remove it from the Project and replace it with Work that is not defective, and
  - (iv) satisfactorily correct or repair or remove and replace any damage to other Work, to the work of others, or to other land or areas resulting therefrom.
- (b) If Contractor does not promptly comply with the terms of PWC's written instructions, or in an emergency where delay would cause serious risk of loss or damage, PWC may have the defective Work corrected or repaired or may have the rejected Work removed and replaced. Contractor shall pay all claims, costs, losses, and damages (including but not limited to all fees and charges of engineers, architects, attorneys, and other professionals and all court or arbitration or other dispute resolution costs) arising out of or relating to such correction or repair or such removal and replacement (including but not limited to all costs of repair or replacement of work of others).
- (c) In special circumstances where a particular item of equipment is placed in continuous service before Substantial Completion of all the Work, the correction period for that item may start to run from an earlier date only as provided in the Contract Documents.
- (d) Where defective Work (and damage to other Work resulting therefrom) has been corrected or removed and replaced under this Article XII, the correction period hereunder with

respect to such Work will be extended for an additional period of one year after such correction or removal and replacement has been satisfactorily completed.

- (e) Contractor's obligations under this Article XII are in addition to all other obligations and warranties. The provisions of this Article XII shall not be construed as a substitute for, or a waiver of, the provisions of any applicable statute of limitation or repose.

## **Article XIII. Suspension of Work and Termination**

### **Section 13.01 PWC May Suspend Work**

- (a) At any time and without cause, PWC may suspend the Work or any portion thereof for a period of not more than 90 consecutive calendar days by written notice to Contractor and Design Engineer. Such notice will fix the date on which Work will be resumed. Contractor shall resume the Work on the date so fixed. Contractor shall be entitled to an adjustment in the Contract Price or an extension of the Contract Times, or both, directly attributable to any such suspension. Any Change Proposal seeking such adjustments shall be submitted no later than thirty (30) calendar days after the date fixed for resumption of Work.

### **Section 13.02 PWC May Terminate for Cause**

- (a) The occurrence of any one or more of the following events will constitute a default by Contractor and justify termination for cause:
  - (i) Contractor's continued failure to perform the Work in accordance with the Contract Documents (including, but not limited to, failure to supply sufficient skilled workers or suitable materials or equipment or failure to adhere to the Progress Schedule);
  - (ii) Failure of Contractor to perform or otherwise to comply with a material term of the Contract Documents;
  - (iii) Contractor's disregard of Laws or Regulations of any public body having jurisdiction; or
  - (iv) Contractor's repeated disregard of the authority of PWC, Project Engineer, or Design Engineer.
- (b) If one or more of the events identified in Paragraph 13.02(a) occurs, then after giving Contractor (and any surety) ten (10) calendar days written notice that PWC is considering a declaration that Contractor is in default and termination of the Agreement, PWC may proceed to:
  - (i) declare Contractor to be in default, and give Contractor (and any surety) notice that the Contract is terminated; and
  - (ii) enforce the rights available to PWC under any applicable performance bond.
- (c) Subject to the terms and operation of any applicable performance bond, if PWC has terminated the Contract for cause, PWC may exclude Contractor from the Site, take possession of the Work, incorporate in the Work all materials and equipment stored at the Site or for which PWC has paid Contractor but which are stored elsewhere, and complete the Work as PWC may deem expedient.
- (d) PWC may not proceed with termination of the Contract under Paragraph 13.02(b) if Contractor within seven (7) calendar days of receipt of notice of intent to terminate begins to correct its failure to perform and proceeds diligently to cure such failure and such efforts

are agreed to by PWC.

- (e) If PWC proceeds as provided in Paragraph 13.02(b), Contractor shall not be entitled to receive any further payment until the Work is completed. If the unpaid balance of the Contract Price exceeds the cost to complete the Work, including all related claims, costs, losses, and damages (including but not limited to all fees and charges of engineers, architects, attorneys, and other professionals) sustained by PWC, such excess will be paid to Contractor. If the cost to complete the Work including such related claims, costs, losses, and damages exceeds such unpaid balance, Contractor shall pay the difference to PWC. Such claims, costs, losses, and damages incurred by PWC will be reviewed by PWC as to their reasonableness and, when so approved by PWC, incorporated in a Change Order.
- (f) Where Contractor's services have been so terminated by PWC, the termination will not affect any rights or remedies of PWC against Contractor then existing or which may thereafter accrue, or any rights or remedies of PWC against Contractor or any surety under any payment bond or performance bond. Any retention or payment of money due Contractor by PWC will not release Contractor from liability.
- (g) The provisions of any applicable payment or performance bond shall govern over any inconsistent provisions of this Section.

#### Section 13.03 PWC May Terminate For Convenience

- (a) Upon seven (7) calendar days written notice to Contractor, PWC may, without cause and without prejudice to any other right or remedy of PWC, terminate the Contract. In such case, Contractor shall be paid for (without duplication of any items):
  - (i) completed and acceptable Work executed in accordance with the Contract Documents prior to the effective date of termination, including fair and reasonable sums for overhead and profit on such Work;
  - (ii) expenses sustained prior to the effective date of termination in performing services and furnishing labor, materials, or equipment as required by the Contract Documents in connection with uncompleted Work, plus fair and reasonable sums for overhead and profit on such expenses; and
  - (iii) other reasonable expenses directly attributable to termination, including costs incurred to prepare a termination for convenience cost proposal.
- (b) Contractor shall not be paid on account of loss of anticipated overhead, profits, or revenue, or other economic loss arising out of or resulting from such termination.

#### Section 13.04 Contractor May Stop Work or Terminate

- (a) If, through no act or fault of Contractor, (1) the Work is suspended for more than ninety (90) consecutive calendar days by PWC or under an order of court or other public authority or (2) PWC fails for sixty (60) calendar days to pay Contractor any sum finally determined to be due, then Contractor may, upon seven (7) calendar days written notice to PWC, and provided PWC does not remedy such suspension or failure within that time, terminate the Contract and recover from PWC payment on the same terms as provided in this Article.
- (b) In lieu of terminating the Contract and without prejudice to any other right or remedy, if PWC has failed for thirty (30) calendar days to pay Contractor any sum finally determined to be due, Contractor may, seven (7) calendar days after written notice to PWC, stop the Work until payment is made of all such amounts due Contractor, including interest thereon.

General Conditions (Rev 7/11/2023)

The provisions of this paragraph are not intended to preclude Contractor from submitting a Change Proposal for an adjustment in Contract Price or Contract Times or otherwise for expenses or damage directly attributable to Contractor's stopping the Work as permitted by this paragraph.

Section 13.05 Morality

- (a) If, in the sole opinion of PWC, at any time Contractor or any of its owner(s) or employee(s) or agent(s) (each party, owner, employee, and agent is an "Actor") engages in any one or more actions that bring disrepute, contempt, scandal, or public ridicule to the Actor or subject the Actor to prosecution or offend the community or public morals or decency or denigrate individuals or groups in the community served by PWC or are scandalous or inconsistent with community standards or good citizenship or may adversely affect PWC's finances, public standing, image, or reputation or are embarrassing or offensive to PWC or may reflect unfavorably on PWC or are derogatory or offensive to one or more employee(s) or customer(s) of PWC, PWC may immediately upon written notice to Contractor terminate the Agreement, in addition to any other rights and remedies that PWC may have pursuant to the Contract Documents or at law or in equity.

**Article XIV. Miscellaneous**

Section 14.01 Additional General Terms and Conditions

- (a) Contractor shall be subject to any additional terms and conditions for this Project as set forth in the applicable Appendices as specific in the Agreement, which is incorporated by reference as if set forth word-for-word herein.

Section 14.02 Giving Notice

- (a) Whenever any provision of the Contract Documents requires the giving of written notice, it will be deemed to have been validly given if:
  - (i) delivered in person, by a commercial courier service or otherwise, to the individual or to a member of the firm or to an officer of the corporation for which it is intended;
  - (ii) delivered at or sent by registered or certified mail, postage prepaid, to the last business address known to the sender of the notice; or
  - (iii) sent to PWC or Contractor's designee(s) via email, with a confirmation of receipt.

Section 14.03 Computation of Times

- (a) When any period of time is referred to in the Contract by days, it will be computed to exclude the first and include the last day of such period. If the last day of any such period falls on a Saturday or Sunday or on a day made a legal holiday by the law of the applicable jurisdiction, such day will be omitted from the computation.

Section 14.04 Cumulative Remedies

- (a) The duties and obligations imposed by these General Conditions and the rights and remedies available hereunder to the parties are in addition to, and are not to be construed in any way as a limitation of, any rights and remedies available to any or all of them which

## General Conditions (Rev 7/11/2023)

are otherwise imposed or available by Laws or Regulations, by special warranty or guarantee, or by other provisions of the Contract Documents. The provisions of this paragraph will be as effective as if repeated specifically in the Contract Documents in connection with each particular duty, obligation, right, and remedy to which they apply.

### Section 14.05 Limitation of Damages

- (a) With respect to any and all Change Proposals, Claims, disputes subject to final resolution, and other matters at issue, neither PWC nor Design Engineer, nor any of their officers, directors, members, partners, employees, agents, consultants, or subcontractors, shall be liable to Contractor for any claims, costs, losses, or damages sustained by Contractor on or in connection with any other project or anticipated project.

### Section 14.06 No Waiver

- (a) A party's non-enforcement of any provision shall not constitute a waiver of that provision, nor shall it affect the enforceability of that provision or any other provision of the Contract Documents.

### Section 14.07 Survival of Obligations

- (a) All representations, indemnifications, warranties, and guarantees made in, required by, or given in accordance with the Contract Documents, as well as all continuing obligations indicated in the Contract Documents, will survive final payment, completion, and acceptance of the Work or termination or completion of the Agreement or termination of the services of Contractor.

### Section 14.08 Controlling Law

- (a) The Agreement shall be governed by the law of the State of North Carolina.

### Section 14.09 Headings

- (a) Article and paragraph headings, numbers, and letters are inserted for convenience only and do not constitute parts of these General Conditions.

**DIVISION 1**

**PERFORMANCE BOND**

Date of Execution: \_\_\_\_\_

Name of Principal: \_\_\_\_\_

(Contractor)

Name of Surety: \_\_\_\_\_

Name of Contracting

Body: Fayetteville Public Works Commission, Fayetteville, N.C.

**Amount of Bond:** \_\_\_\_\_

**PROJECT: PWC2526084 - SUBSTATION EQUIPMENT SHED BUILDING**

KNOW ALL MEN BY THESE PRESENTS, That We, the Principal and Surety above named, are held and firmly bound unto the above named Contracting Body, hereinafter called the Contracting Body, in the penal sum of the amount stated above the payment of which sum well and truly to be made, we bind ourselves, our heirs, executors, administrators, and successors, jointly and severally, firmly by these present.

THE CONDITION OF THIS OBLIGATION IS SUCH that whereas the Principal entered into a certain Contract with the Contracting Body, identified as shown above and hereto attached.

NOW, THEREFORE, if the Principal shall well and truly perform and fulfill all the undertakings, covenants, terms, conditions, and agreements of said Contract during the original term of said Contract and any extensions there of that may be granted by the Contracting Body, with or without notice to the Surety, and during the life of any Guaranty required under the Contract, and shall also well and truly perform and fulfill all the undertakings, covenants, terms, conditions, and agreements of any and all duly authorized modifications of said Contract that may hereafter be made, notice of which modifications to the Surety being hereby waived, then, this obligation to be void; otherwise to remain in full force and virtue.

IN WITNESS WHEREOF, the above bounded parties have executed this instrument under the several seals on the date indicated above, the name and corporate seal of each corporate party being hereto affixed, and these presents duly signed by its undersigned representative, pursuant to authority of its governing body.

Executed in \_\_\_\_\_ counterparts.

Witness:

\_\_\_\_\_  
(Proprietorship of Partnership)

By:

\_\_\_\_\_  
Title:

\_\_\_\_\_  
(Corporate Secretary or  
Assistant Secretary, Only)

CONTRACTOR:

\_\_\_\_\_  
(Trade or Corporate Name)

By:

\_\_\_\_\_  
Title:

\_\_\_\_\_  
(Owner, Partner, Corporate President or  
Vice-President, Only)  
**(CORPORATE SEAL)**

Witness:

\_\_\_\_\_

Countersigned:

\_\_\_\_\_  
(N.C. Licensed Resident Agent)

SURETY COMPANY:

\_\_\_\_\_  
(Surety Company Name)

By:

\_\_\_\_\_  
Title:

\_\_\_\_\_  
(Attorney in Fact)  
**(SURETY CORPORATE SEAL)**

**PAYMENT BOND**

Date of Execution: \_\_\_\_\_

Name of Principal: \_\_\_\_\_  
(Contractor)

Name of Surety: \_\_\_\_\_

Name of Contracting  
Body: Fayetteville Public Works Commission, Fayetteville, N.C.

**Amount of Bond:** \_\_\_\_\_

**PROJECT: PWC2526084 - SUBSTATION EQUIPMENT SHED BUILDING**

KNOW ALL MEN BY THESE PRESENTS, that We, the PRINCIPAL and Surety above named, are held and firmly bound unto the above named Contracting Body, hereinafter called the Contracting Body, in the penal sum of the amount stated above the payment of which sum well and truly to be made, we bind ourselves, our heirs, executors, administrators, and successors, jointly and severally, firmly by these presents.

THE CONDITION OF THIS OBLIGATION IS SUCH that whereas the Principal entered into a certain Contract with the Contracting Body, identified as shown above and hereto attached.

NOW THEREFORE, if the Principal shall promptly make payment to all persons supplying labor and material in the prosecution of the work provided for in said contract, and any and all duly authorized modifications of said contract that may hereafter be made, notice of which modifications to the Surety being hereby waived, then, this obligation to be void; otherwise to remain in full force and virtue.

IN WITNESS WHEREOF, the above bounded parties have executed this instrument under the several seals on the date indicated above, the name and corporate seal of each corporate party being hereto affixed, and these presents duly signed by its undersigned representative, pursuant to authority of its governing body.

Executed in \_\_\_\_\_ counterparts.

Witness:

CONTRACTOR:

\_\_\_\_\_  
(Proprietorship of Partnership)

\_\_\_\_\_  
(Trade or Corporate Name)

By:

By:

\_\_\_\_\_  
Title:

\_\_\_\_\_  
Title:

\_\_\_\_\_  
(Corporate Secretary or  
Assistant Secretary, Only)

\_\_\_\_\_  
(Owner, Partner, Corporate President or  
Vice-President, Only)  
**(CORPORATE SEAL)**

Witness:

SURETY COMPANY:

\_\_\_\_\_

\_\_\_\_\_  
(Surety Company Name)

By:

Countersigned:

\_\_\_\_\_  
Title:

\_\_\_\_\_  
(N.C. Licensed Resident Agent)

\_\_\_\_\_  
(Attorney in Fact)  
**(SURETY CORPORATE SEAL)**

**POWER OF ATTORNEY  
(ATTACH)**

**CERTIFICATE(S) OF INSURANCE  
(Attach)**

**NOTICE TO PROCEED**

TO: \_\_\_\_\_

Date: \_\_\_\_\_

PROJECT: **PWC2526084 - SUBSTATION EQUIPMENT SHED BUILDING**

You are hereby notified to commence work in accordance with the Contract dated \_\_\_\_\_, 2026, on or before \_\_\_\_\_, 2026, and you are to complete the WORK within the **contract period** thereafter. The date of final completion therefore is \_\_\_\_\_.

**FAYETTEVILLE PUBLIC WORKS COMMISSION**

BY: \_\_\_\_\_

Nikole Bohannon

Procurement Manager

**ACCEPTANCE OF NOTICE**

Receipt of the above NOTICE TO PROCEED

is hereby acknowledged this the \_\_\_\_\_ day of \_\_\_\_\_, 2026.

**(CONTRACTOR)**

BY: \_\_\_\_\_

TITLE: \_\_\_\_\_

- END OF SECTION -

## **SECTION C - ADMINISTRATIVE PROVISIONS**

**\*\*\* THIS PAGE WAS INTENTIONALLY LEFT BLANK \*\*\***

## **SECTION D – TECHNICAL SPECIFICATIONS**

## SECTION 011000 - SUMMARY

### PART 1 - GENERAL

#### 1.1 SUMMARY

- A. Section Includes:
1. Project information.
  2. Work covered by Contract Documents.
  3. Contractor's use of site and premises.
  4. Work restrictions.
  5. Specification and Drawing conventions.

#### 1.2 PROJECT INFORMATION

- A. Project Identification: Substation Equipment Shed Building.
1. Project Location: 955 Old Wilmington Road, Fayetteville, NC 28301.
- B. Owner: Fayetteville Public Works Commission; 955 Old Wilmington Road, Fayetteville, NC 28301.
1. Owner's Representative: Johnathan Butler; (910) 223-4333.
- C. Engineer: Fleming and Associates, PA; 1004 Hay Street, Fayetteville, NC 28305; (910) 433-2825.

#### 1.3 WORK COVERED BY CONTRACT DOCUMENTS

- A. The Work of Project is defined by the Contract Documents and consists of the following:
1. Construct a new pre-engineered metal shed building and other Work indicated in the Contract Documents.
- B. Type of Contract:
1. Project will be constructed under a single prime contract.

#### 1.4 CONTRACTOR'S USE OF SITE AND PREMISES

- A. Limits on Use of Site: Limit use of Project site to areas within the Contract limits indicated. Do not disturb portions of Project site beyond areas in which the Work is indicated.
1. Driveways, Walkways, and Entrances: Keep driveways and entrances serving premises clear and available to Owner, Owner's employees, and emergency vehicles at all times. Do not use these areas for parking or for storage of materials.

- B. Condition of Existing Grounds: Maintain portions of existing grounds, landscaping, and hardscaping affected by construction operations throughout construction period. Repair damage caused by construction operations.

## 1.5 WORK RESTRICTIONS

- A. Comply with restrictions on construction operations.
  - 1. Comply with limitations on use of public streets, work on public streets, rights of way, and other requirements of authorities having jurisdiction.
- B. Smoking and Controlled Substance Restrictions: Use of tobacco products, alcoholic beverages, and other controlled substances on Owner's property is not permitted.

## 1.6 SPECIFICATION AND DRAWING CONVENTIONS

- A. Specification Content: The Specifications use certain conventions for the style of language and the intended meaning of certain terms, words, and phrases when used in particular situations. These conventions are as follows:
  - 1. Imperative mood and streamlined language are generally used in the Specifications. The words "shall," "shall be," or "shall comply with," depending on the context, are implied where a colon (:) is used within a sentence or phrase.
  - 2. Text Color: Text used in the Specifications, including units of measure, manufacturer and product names, and other text may appear in multiple colors or underlined as part of a hyperlink; no emphasis is implied by text with these characteristics.
  - 3. Hypertext: Text used in the Specifications may contain hyperlinks. Hyperlinks may allow for access to linked information that is not residing in the Specifications. Unless otherwise indicated, linked information is not part of the Contract Documents.
  - 4. Specification requirements are to be performed by Contractor unless specifically stated otherwise.
- B. Division 00 Contracting Requirements: General provisions of the Contract, including General and Supplementary Conditions, apply to all Sections of the Specifications.
- C. Division 01 General Requirements: Requirements of Sections in Division 01 apply to the Work of all Sections in the Specifications.

PART 2 - PRODUCTS (Not Used)

PART 3 - EXECUTION (Not Used)

END OF SECTION 011000

## SECTION 012100 - ALLOWANCES

### PART 1 - GENERAL

#### 1.1 SUMMARY

- A. Section includes administrative and procedural requirements governing allowances.
- B. Types of allowances include the following:
  - 1. Owner's allowances.
- C. Related Requirements:
  - 1. Section 012200 "Unit Prices" for procedures for using unit prices, including adjustment of quantity allowances when applicable.

#### 1.2 ACTION SUBMITTALS

- A. Submit proposals for purchase of products or systems included in allowances in the form specified for Change Orders.

#### 1.3 INFORMATIONAL SUBMITTALS

- A. Coordinate and process submittals for allowance items in same manner as for other portions of the Work.

#### 1.4 OWNER'S ALLOWANCES

- A. Use the Owner's allowance only as directed by Engineer for Owner's purposes and only by Change Orders that indicate amounts to be charged to the allowance.
- B. Contractor's related costs for products and equipment ordered by Owner under the Owner's allowance are included in the allowance and are not part of the Contract Sum. These costs include delivery, installation, taxes, insurance, equipment rental, and similar costs.
- C. Change Orders authorizing use of funds from the Owner's allowance will include Contractor's related costs and reasonable overhead and profit.
- D. At Project closeout, credit unused amounts remaining in the Owner's allowance to Owner by Change Order.

PART 2 - PRODUCTS (Not Used)

PART 3 - EXECUTION

3.1 EXAMINATION

- A. Examine products covered by an allowance promptly on delivery for damage or defects. Return damaged or defective products to manufacturer for replacement.

3.2 PREPARATION

- A. Coordinate materials and their installation for each allowance with related materials and installations to ensure that each allowance item is completely integrated and interfaced with related work.

3.3 SCHEDULE OF ALLOWANCES

- A. Allowance No. 01: Contingency Allowance: Include the sum of \$20,000.00 in the base bid.

END OF SECTION 012100

## SECTION 033000 - CAST-IN-PLACE CONCRETE

### PART 1 - GENERAL

#### 1.1 SUMMARY

##### A. Section Includes:

1. Cast-in-place concrete, including concrete materials, mixture design, placement procedures, and finishes.

#### 1.2 DEFINITIONS

- A. Cementitious Materials: Portland cement alone or in combination with one or more of the following: blended hydraulic cement, fly ash, slag cement, and other pozzolans materials subject to compliance with requirements.
- B. Water/Cement Ratio (w/cm): The ratio by weight of water to cementitious materials.

#### 1.3 PREINSTALLATION MEETINGS

- A. Preinstallation Conference: Conduct conference at Project site.

#### 1.4 ACTION SUBMITTALS

##### A. Product Data: For each of the following.

1. Portland cement.
2. Fly ash.
3. Aggregates.
4. Admixtures:
  - a. Include limitations of use, including restrictions on cementitious materials, supplementary cementitious materials, air entrainment, aggregates, temperature at time of concrete placement, relative humidity at time of concrete placement, curing conditions, and use of other admixtures.
5. Vapor retarders.
6. Liquid floor treatments.
7. Curing materials.
8. Joint fillers.

##### B. Design Mixtures: For each concrete mixture, include the following:

1. Mixture identification.
2. Minimum 28-day compressive strength.

3. Durability exposure class.
4. Maximum w/cm.
5. Slump limit.
6. Air content.
7. Nominal maximum aggregate size.
8. Indicate amounts of mixing water to be withheld for later addition at Project site if permitted.
9. Intended placement method.
10. Submit alternate design mixtures when characteristics of materials, Project conditions, weather, test results, or other circumstances warrant adjustments.

C. Shop Drawings:

1. Construction Joint Layout: Indicate proposed construction joints required to construct the structure.
  - a. Location of construction joints is subject to approval of the Engineer.

D. Concrete Schedule: For each location of each Class of concrete indicated in "Concrete Mixtures" Article, including the following:

1. Concrete Class designation.
2. Location within Project.
3. Exposure Class designation.
4. Formed Surface Finish designation and final finish.
5. Final finish for floors.
6. Curing process.
7. Floor treatment if any.

## 1.5 INFORMATIONAL SUBMITTALS

A. Material Certificates: For each of the following, signed by manufacturers:

1. Cementitious materials.
2. Admixtures.
3. Curing compounds.
4. Vapor retarders.
5. Joint-filler strips.

B. Material Test Reports: For the following, from a qualified testing agency:

1. Portland cement.
2. Fly ash.
3. Aggregates.
4. Admixtures:

C. Research Reports: For concrete admixtures in accordance with ICC's Acceptance Criteria AC198.

D. Preconstruction Test Reports: For each mix design.

- E. Field quality-control reports.
- F. Minutes of preinstallation conference.

#### 1.6 QUALITY ASSURANCE

- A. Ready-Mixed Concrete Manufacturer Qualifications: A firm experienced in manufacturing ready-mixed concrete products and that complies with ASTM C94/C94M requirements for production facilities and equipment.
  - 1. Manufacturer certified in accordance with NRMCA's "Certification of Ready Mixed Concrete Production Facilities."

#### 1.7 PRECONSTRUCTION TESTING

- A. Preconstruction Testing Service: Engage a qualified testing agency to perform preconstruction testing on each concrete mixture.
  - 1. Include the following information in each test report:
    - a. Admixture dosage rates.
    - b. Slump.
    - c. Air content.
    - d. Seven-day compressive strength.
    - e. 28-day compressive strength.

#### 1.8 DELIVERY, STORAGE, AND HANDLING

- A. Comply with ASTM C94/C94M and ACI 301 (ACI 301M).

#### 1.9 FIELD CONDITIONS

- A. Cold-Weather Placement: Comply with ACI 301 (ACI 301M) and ACI 306.1.
- B. Hot-Weather Placement: Comply with ACI 301 (ACI 301M) and ACI 305.1 (ACI 305.1M).

### PART 2 - PRODUCTS

#### 2.1 CONCRETE, GENERAL

- A. ACI Publications: Comply with ACI 301 (ACI 301M) unless modified by requirements in the Contract Documents.

## 2.2 CONCRETE MATERIALS

### A. Cementitious Materials:

1. Portland Cement: ASTM C150/C150M, Type I/II.
2. Fly Ash: ASTM C618, Class C or F.

### B. Normal-Weight Aggregates: ASTM C33/C33M, coarse aggregate or better, graded. Provide aggregates from a single source.

1. Alkali-Silica Reaction: Comply with one of the following:
  - a. Expansion Result of Aggregate: Not more than 0.04 percent at one-year when tested in accordance with ASTM C1293.
  - b. Expansion Results of Aggregate and Cementitious Materials in Combination: Not more than 0.10 percent at an age of 16 days when tested in accordance with ASTM C1567.
  - c. Alkali Content in Concrete: Not more than 4 lb./cu. yd. (2.37 kg/cu. m) for moderately reactive aggregate or 3 lb./cu. yd. (1.78 kg/cu. m) for highly reactive aggregate, when tested in accordance with ASTM C1293 and categorized in accordance with ASTM C1778, based on alkali content being calculated in accordance with ACI 301 (ACI 301M).
2. Maximum Coarse-Aggregate Size: 3/4 inch (19 mm) nominal.
3. Fine Aggregate: Free of materials with deleterious reactivity to alkali in cement.

### C. Air-Entraining Admixture: ASTM C260/C260M.

### D. Chemical Admixtures: Certified by manufacturer to be compatible with other admixtures that do not contribute water-soluble chloride ions exceeding those permitted in hardened concrete. Do not use calcium chloride or admixtures containing calcium chloride in steel-reinforced concrete.

1. Water-Reducing Admixture: ASTM C494/C494M, Type A.
2. Retarding Admixture: ASTM C494/C494M, Type B.
3. Water-Reducing and -Retarding Admixture: ASTM C494/C494M, Type D.
4. Plasticizing and Retarding Admixture: ASTM C1017/C1017M, Type II.

### E. Water and Water Used to Make Ice: ASTM C94/C94M, potable or complying with ASTM C1602/C1602M, including all limits listed in Table 2 and the requirements of paragraph 5.4

## 2.3 CURING MATERIALS

### A. Absorptive Cover: AASHTO M 182, Class 2, burlap cloth made from jute or kenaf, weighing approximately 9 oz./sq. yd. (305 g/sq. m) when dry.

### B. Moisture-Retaining Cover: ASTM C171, polyethylene film burlap-polyethylene sheet.

1. Color:

- a. Ambient Temperature Below 50 deg F (10 deg C): Black.
  - b. Ambient Temperature between 50 deg F (10 deg C) and 85 deg F (29 deg C): Any color.
  - c. Ambient Temperature Above 85 deg F (29 deg C): White.
- C. Curing Paper: Eight-foot- (2438-mm-) wide paper, consisting of two layers of fibered kraft paper laminated with double coating of asphalt.
  - D. Water: Potable or complying with ASTM C1602/C1602M.
  - E. Clear, Waterborne, Membrane-Forming, Dissipating Curing Compound: ASTM C309, Type 1, Class B.
  - F. Clear, Waterborne, Membrane-Forming, Nondissipating Curing Compound: ASTM C309, Type 1, Class B, certified by curing compound manufacturer to not interfere with bonding of floor covering.
  - G. Clear, Waterborne, Membrane-Forming, Curing and Sealing Compound: ASTM C1315, Type 1, Class A.

## 2.4 RELATED MATERIALS

- A. Expansion- and Isolation-Joint-Filler Strips: ASTM D1751, asphalt-saturated cellulosic fiber or ASTM D1752, cork or self-expanding cork.

## 2.5 CONCRETE MIXTURES, GENERAL

- A. Prepare design mixtures for each type and strength of concrete, proportioned on the basis of laboratory trial mixture or field test data, or both, in accordance with ACI 301 (ACI 301M).
  - 1. Use a qualified testing agency for preparing and reporting proposed mixture designs, based on laboratory trial mixtures.
- B. Cementitious Materials: Limit percentage, by weight, of cementitious materials other than portland cement in concrete as follows:
  - 1. Fly Ash or Other Pozzolans: 25 percent by mass.
- C. Admixtures: Use admixtures in accordance with manufacturer's written instructions.
  - 1. Use water-reducing or plasticizing admixture in concrete, as required, for placement and workability.
  - 2. Use water-reducing and -retarding admixture when required by high temperatures, low humidity, or other adverse placement conditions.
  - 3. Use water-reducing admixture in pumped concrete.

## 2.6 CONCRETE MIXTURES

- A. Class A: Normal-weight concrete used for slabs and footings.

1. Exposure Class: ACI 318 (ACI 318M) S2.
2. Minimum Compressive Strength: 4,500 psi at 28 days.
3. Maximum w/cm: 0.45.
4. Slump Limit: 4 inches (100 mm), plus or minus 1 inch (25 mm)
5. Air Content:
  - a. See structural drawings.
6. Limit water-soluble, chloride-ion content in hardened concrete to 0.15 percent by weight of cement.

## 2.7 CONCRETE MIXING

- A. Ready-Mixed Concrete: Measure, batch, mix, and deliver concrete in accordance with ASTM C94/C94M and ASTM C1116/C1116M, and furnish batch ticket information.
- B. Project-Site Mixing: Measure, batch, and mix concrete materials and concrete in accordance with ASTM C94/C94M. Mix concrete materials in appropriate drum-type batch machine mixer.
  1. For mixer capacity of 1 cu. yd. (0.76 cu. m) or smaller, continue mixing at least 1-1/2 minutes, but not more than five minutes after ingredients are in mixer, before any part of batch is released.
  2. For mixer capacity larger than 1 cu. yd. (0.76 cu. m), increase mixing time by 15 seconds for each additional 1 cu. yd. (0.76 cu. m).
  3. Provide batch ticket for each batch discharged and used in the Work, indicating Project identification name and number, date, mixture type, mixture time, quantity, and amount of water added. Record approximate location of final deposit in structure.

## PART 3 - EXECUTION

### 3.1 INSTALLATION OF EMBEDDED ITEMS

- A. Place and secure anchorage devices and other embedded items required for adjoining Work that is attached to or supported by cast-in-place concrete.
  1. Use setting drawings, templates, diagrams, instructions, and directions furnished with items to be embedded.
  2. Install anchor rods, accurately located, to elevations required and complying with tolerances in Section 7.5 of ANSI/AISC 303.
  3. Install reglets to receive waterproofing and to receive through-wall flashings in outer face of concrete frame at exterior walls, where flashing is shown at lintels, shelf angles, and other conditions.

### 3.2 JOINTS

- A. Construct joints true to line, with faces perpendicular to surface plane of concrete.
- B. Construction Joints: Coordinate with floor slab pattern and concrete placement sequence.

1. Install so strength and appearance of concrete are not impaired, at locations indicated on Drawings or as approved by Engineer.
  2. Place joints perpendicular to main reinforcement.
    - a. Continue reinforcement across construction joints unless otherwise indicated.
    - b. Do not continue reinforcement through sides of strip placements of floors and slabs.
  3. Form keyed joints as indicated. Embed keys at least 1-1/2 inches (38 mm) into concrete.
  4. Locate joints for beams, slabs, joists, and girders at third points of spans. Offset joints in girders a minimum distance of twice the beam width from a beam-girder intersection.
  5. Locate horizontal joints in walls and columns at underside of floors, slabs, beams, and girders and at the top of footings or floor slabs.
- C. Control Joints in Slabs-on-Ground: Form weakened-plane control joints, sectioning concrete into areas as indicated. Construct control joints for a depth equal to at least one-fourth of concrete thickness as follows:
1. Sawed Joints: Form control joints with power saws equipped with shatterproof abrasive or diamond-rimmed blades. Cut 1/8-inch- (3.2-mm-) wide joints into concrete when cutting action does not tear, abrade, or otherwise damage surface and before concrete develops random cracks.

### 3.3 CONCRETE PLACEMENT

- A. Before placing concrete, verify that installation of formwork, reinforcement, and embedded items are complete and that required inspections are completed.
- B. Notify Engineer and testing and inspection agencies 24 hours prior to commencement of concrete placement.
- C. Do not add water to concrete during delivery, at Project site, or during placement unless approved by Engineer in writing, but not to exceed the amount indicated on the concrete delivery ticket.
  1. Do not add water to concrete after adding water-reducing admixtures to mixture.
- D. Before test sampling and placing concrete, water may be added at Project site, subject to limitations of ACI 301 (ACI 301M), but not to exceed the amount indicated on the concrete delivery ticket.
  1. Do not add water to concrete after adding water-reducing admixtures to mixture.
- E. Deposit concrete continuously in one layer or in horizontal layers of such thickness that no new concrete is placed on concrete that has hardened enough to cause seams or planes of weakness.
  1. If a section cannot be placed continuously, provide construction joints as indicated.
  2. Deposit concrete to avoid segregation.
  3. Deposit concrete in horizontal layers of depth not to exceed formwork design pressures and in a manner to avoid inclined construction joints.

4. Consolidate placed concrete with mechanical vibrating equipment in accordance with ACI 301 (ACI 301M).
  - a. Do not use vibrators to transport concrete inside forms.
  - b. Insert and withdraw vibrators vertically at uniformly spaced locations to rapidly penetrate placed layer and at least 6 inches (150 mm) into preceding layer.
  - c. Do not insert vibrators into lower layers of concrete that have begun to lose plasticity.
  - d. At each insertion, limit duration of vibration to time necessary to consolidate concrete, and complete embedment of reinforcement and other embedded items without causing mixture constituents to segregate.
  
- F. Deposit and consolidate concrete for floors and slabs in a continuous operation, within limits of construction joints, until placement of a panel or section is complete.
  1. Do not place concrete floors and slabs in a checkerboard sequence.
  2. Consolidate concrete during placement operations, so concrete is thoroughly worked around reinforcement and other embedded items and into corners.
  3. Maintain reinforcement in position on chairs during concrete placement.
  4. Screed slab surfaces with a straightedge and strike off to correct elevations.
  5. Level concrete, cut high areas, and fill low areas.
  6. Slope surfaces uniformly to drains where required.
  7. Begin initial floating using bull floats or darbies to form a uniform and open-textured surface plane, before excess bleedwater appears on the surface.
  8. Do not further disturb slab surfaces before starting finishing operations.

### 3.4 FINISHING FORMED SURFACES

#### A. As-Cast Surface Finishes:

1. ACI 301 (ACI 301M) Surface Finish SF-3.0:
  - a. Patch voids larger than 3/4 inch (19 mm) wide or 1/2 inch (13 mm) deep.
  - b. Remove projections larger than 1/8 inch (3 mm).
  - c. Patch tie holes.
  - d. Surface Tolerance: ACI 117 (ACI 117M) Class A.
  - e. Locations: Apply to concrete surfaces exposed to public view,.

#### B. Related Unformed Surfaces:

1. At tops of walls, horizontal offsets, and similar unformed surfaces adjacent to formed surfaces, strike off smooth and finish with a color and texture matching adjacent formed surfaces.
2. Continue final surface treatment of formed surfaces uniformly across adjacent unformed surfaces unless otherwise indicated.

### 3.5 FINISHING FLOORS AND SLABS

- A. Comply with ACI 302.1R recommendations for screeding, restraightening, and finishing operations for concrete surfaces. Do not wet concrete surfaces.
- B. Trowel Finish:
  - 1. After applying float finish, apply first troweling and consolidate concrete by hand or power-driven trowel.
  - 2. Continue troweling passes and restraighten until surface is free of trowel marks and uniform in texture and appearance.
  - 3. Grind smooth any surface defects that would telegraph through applied coatings or floor coverings.
  - 4. Do not add water to concrete surface.
  - 5. Do not apply hard-troweled finish to concrete, which has a total air content greater than 3 percent.
  - 6. Apply a trowel finish to surfaces exposed to view.
  - 7. Finish and measure surface, so gap at any point between concrete surface and an unlevelled, freestanding, 10-ft.- (3.05-m-) long straightedge resting on two high spots and placed anywhere on the surface does not exceed 1/4 inch (6 mm).

### 3.6 INSTALLATION OF MISCELLANEOUS CONCRETE ITEMS

- A. Metal Building Anchor Bolts:
  - 1. Coordinate sizes and locations of anchor bolts with the approved metal building shop drawings. Install and secure anchor bolts prior to concrete pour.

### 3.7 CONCRETE CURING

- A. Protect freshly placed concrete from premature drying and excessive cold or hot temperatures.
  - 1. Comply with ACI 301 (ACI 301M) and ACI 306.1 for cold weather protection during curing.
  - 2. Comply with ACI 301 (ACI 301M) and ACI 305.1 (ACI 305.1M) for hot-weather protection during curing.
  - 3. Maintain moisture loss no more than 0.2 lb/sq. ft. x h (1 kg/sq. m x h), calculated in accordance with ACI 305.1,) before and during finishing operations.
- B. Curing Formed Surfaces: Comply with ACI 308.1 (ACI 308.1M) as follows:
  - 1. Cure formed concrete surfaces, including underside of beams, supported slabs, and other similar surfaces.
  - 2. If forms remain during curing period, moist cure after loosening forms.
  - 3. If removing forms before end of curing period, continue curing for remainder of curing period, as follows:
    - a. Continuous Fogging: Maintain standing water on concrete surface until final setting of concrete.

- b. Continuous Sprinkling: Maintain concrete surface continuously wet.
- c. Absorptive Cover: Pre-dampen absorptive material before application; apply additional water to absorptive material to maintain concrete surface continuously wet.
- d. Water-Retention Sheeting Materials: Cover exposed concrete surfaces with sheeting material, taping, or lapping seams.
- e. Membrane-Forming Curing Compound: Apply uniformly in continuous operation by power spray or roller in accordance with manufacturer's written instructions.
  - 1) Recoat areas subject to heavy rainfall within three hours after initial application.
  - 2) Maintain continuity of coating and repair damage during curing period.

C. Curing Unformed Surfaces: Comply with ACI 308.1 (ACI 308.1M) as follows:

- 1. Begin curing immediately after finishing concrete.
- 2. All floors are to Receive Curing and Sealing Compound:
  - a. Apply uniformly to floors and slabs indicated in a continuous operation by power spray or roller in accordance with manufacturer's written instructions.
  - b. Recoat areas subjected to heavy rainfall within three hours after initial application.
  - c. Repeat process 24 hours later, and apply a second coat. Maintain continuity of coating, and repair damage during curing period.

### 3.8 TOLERANCES

- A. Conform to ACI 117 (ACI 117M).

### 3.9 APPLICATION OF LIQUID FLOOR TREATMENTS

- A. Sealing Coat: Uniformly apply a continuous sealing coat of curing and sealing compound to hardened concrete by power spray or roller in accordance with manufacturer's written instructions.

### 3.10 FIELD QUALITY CONTROL

- A. Special Inspections: Owner will engage a special inspector to perform field tests and inspections and prepare testing and inspection reports.
- B. Testing Agency: Owner will engage a qualified testing and inspecting agency to perform tests and inspections and to submit reports.
  - 1. Testing agency shall be responsible for providing curing container for composite samples on Site and verifying that field-cured composite samples are cured in accordance with ASTM C31/C31M.
  - 2. Testing agency shall immediately report to Engineer, Contractor, and concrete manufacturer any failure of Work to comply with Contract Documents.
  - 3. Testing agency shall report results of tests and inspections, in writing, to Owner, Engineer, Contractor, and concrete manufacturer within 48 hours of inspections and tests.

- a. Test reports shall include reporting requirements of ASTM C31/C31M, ASTM C39/C39M, and ACI 301, including the following as applicable to each test and inspection:
  - 1) Project name.
  - 2) Name of testing agency.
  - 3) Names and certification numbers of field and laboratory technicians performing inspections and testing.
  - 4) Name of concrete manufacturer.
  - 5) Date and time of inspection, sampling, and field testing.
  - 6) Date and time of concrete placement.
  - 7) Location in Work of concrete represented by samples.
  - 8) Date and time sample was obtained.
  - 9) Truck and batch ticket numbers.
  - 10) Design compressive strength at 28 days.
  - 11) Concrete mixture designation, proportions, and materials.
  - 12) Field test results.
  - 13) Information on storage and curing of samples before testing, including curing method and maximum and minimum temperatures during initial curing period.
  - 14) Type of fracture and compressive break strengths at seven days and 28 days.
- C. Batch Tickets: For each load delivered, submit three copies of batch delivery ticket to testing agency, indicating quantity, mix identification, admixtures, design strength, aggregate size, design air content, design slump at time of batching, and amount of water that can be added at Project site.
- D. Inspections:
  1. Anchor bolts.
  2. Verification of use of required design mixture.
  3. Concrete placement, including conveying and depositing.
  4. Curing procedures and maintenance of curing temperature.
  5. Verification of concrete strength before removal of shores and forms from beams and slabs.
  6. Batch Plant Inspections: On a random basis, as determined by Architect.
- E. Concrete Tests: Testing of composite samples of fresh concrete obtained in accordance with ASTM C 172/C 172M shall be performed in accordance with the following requirements:
  1. Testing Frequency: Obtain one composite sample for each day's pour of each concrete mixture exceeding 5 cu. yd. (4 cu. m), but less than 25 cu. yd. (19 cu. m), plus one set for each additional 50 cu. yd. (38 cu. m) or fraction thereof.
    - a. When frequency of testing provides fewer than three compressive-strength tests for each concrete mixture, testing shall be conducted from at least three randomly selected batches or from each batch if fewer than five are used.
  2. Slump: ASTM C143/C143M:

- a. One test at point of placement for each composite sample, but not less than one test for each day's pour of each concrete mixture.
  - b. Perform additional tests when concrete consistency appears to change.
3. Slump Flow: ASTM C1611/C1611M:
- a. One test at point of placement for each composite sample, but not less than one test for each day's pour of each concrete mixture.
  - b. Perform additional tests when concrete consistency appears to change.
4. Air Content: ASTM C231/C231M pressure method, for normal-weight concrete; ASTM C173/C173M volumetric method, for structural lightweight concrete.
- a. One test for each composite sample, but not less than one test for each day's pour of each concrete mixture.
5. Concrete Temperature: ASTM C1064/C1064M:
- a. One test hourly when air temperature is 40 deg F (4.4 deg C) and below or 80 deg F (27 deg C) and above, and one test for each composite sample.
6. Unit Weight: ASTM C567/C567M fresh unit weight of structural lightweight concrete.
- a. One test for each composite sample, but not less than one test for each day's pour of each concrete mixture.
7. Compression Test Specimens: ASTM C31/C31M:
- a. Cast and laboratory cure one set of three 6-inch (150 mm) by 12-inch (300 mm) or 4-inch (100 mm) by 8-inch (200 mm) cylinder specimens for each composite sample.
8. Compressive-Strength Tests: ASTM C39/C39M.
- a. Test laboratory-cured specimen at seven days and two specimens at 28 days.
  - b. A compressive-strength test shall be the average compressive strength from a set of two specimens obtained from same composite sample and tested at age indicated.
9. Strength of each concrete mixture will be satisfactory if every average of any three consecutive compressive-strength tests equals or exceeds specified compressive strength, and no compressive-strength test value falls below specified compressive strength by more than 500 psi (3.4 MPa).
10. Nondestructive Testing: Impact hammer, sonoscope, or other nondestructive device may be permitted by Engineer but will not be used as sole basis for approval or rejection of concrete.
11. Additional Tests:
- a. Testing and inspecting agency shall make additional tests of concrete when test results indicate that slump, air entrainment, compressive strengths, or other requirements have not been met, as directed by Architect.

- b. Testing and inspecting agency may conduct tests to determine adequacy of concrete by cored cylinders complying with ASTM C42/C42M or by other methods as directed by Architect.
  - 1) Acceptance criteria for concrete strength shall be in accordance with ACI 301 (ACI 301M), section 1.6.6.3.
- 12. Additional testing and inspecting, at Contractor's expense, will be performed to determine compliance of replaced or additional work with specified requirements.
- 13. Correct deficiencies in the Work that test reports and inspections indicate do not comply with the Contract Documents.

### 3.11 PROTECTION

#### A. Protect concrete surfaces as follows:

- 1. Protect from petroleum stains.
- 2. Diaper hydraulic equipment used over concrete surfaces.
- 3. Prohibit vehicles from interior concrete slabs.
- 4. Prohibit use of pipe-cutting machinery over concrete surfaces.
- 5. Prohibit placement of steel items on concrete surfaces.
- 6. Prohibit use of acids or acidic detergents over concrete surfaces.
- 7. Protect liquid floor treatment from damage and wear during the remainder of construction period. Use protective methods and materials, including temporary covering, recommended in writing by liquid floor treatments installer.
- 8. Protect concrete surfaces scheduled to receive surface hardener or polished concrete finish using Floor Slab Protective Covering.

END OF SECTION 033000

## SECTION 081113 - HOLLOW METAL DOORS AND FRAMES

### PART 1 - GENERAL

#### 1.1 SUMMARY

- A. Section includes:
  - 1. Exterior standard steel doors and frames.

#### 1.2 ACTION SUBMITTALS

- A. Product Data: For each type of product.
- B. Shop Drawings: Include the following:
  - 1. Elevations of each door type.
  - 2. Details of doors, including vertical- and horizontal-edge details and metal thicknesses.
  - 3. Frame details for each frame type, including dimensioned profiles and metal thicknesses.
- C. Product Schedule: For hollow-metal doors and frames, prepared by or under the supervision of supplier, using same reference numbers for details and openings as those on Drawings. Coordinate with final door hardware schedule.

#### 1.3 INFORMATIONAL SUBMITTALS

- A. Product test reports.
- B. Field quality control reports.

### PART 2 - PRODUCTS

#### 2.1 PERFORMANCE REQUIREMENTS

- A. Thermally Rated Door Assemblies: Provide door assemblies with U-factor of not more than 0.7 deg Btu/F x h x sq. ft. when tested in accordance with ASTM C1363 or ASTM E1423.

#### 2.2 EXTERIOR STANDARD STEEL DOORS AND FRAMES

- A. Construct hollow-metal doors and frames to comply with standards indicated for materials, fabrication, hardware locations, hardware reinforcement, tolerances, and clearances, and as specified.
- B. Heavy-Duty Doors and Frames: ANSI/SDI A250.8, Level 2; ANSI/SDI A250.4, Level B.

1. Doors:
  - a. Type: As indicated in the Door and Frame Schedule.
  - b. Thickness: 1-3/4 inches (44.5 mm).
  - c. Face: Metallic-coated steel sheet, minimum thickness of 0.042 inch (1.0 mm), with minimum A60 (ZF180) coating.
  - d. Edge Construction: Model 2, Seamless.
  - e. Edge Bevel: Provide manufacturer's standard beveled or square edges.
  - f. Top Edge Closures: Close top edges of doors with flush closures of same material as face sheets. Seal joints against water penetration.
  - g. Bottom Edges: Close bottom edges of doors where required for attachment of weather stripping with end closures or channels of same material as face sheets. Provide weep-hole openings in bottoms of exterior doors to permit moisture to escape.
  - h. Core: Manufacturer's standard.
2. Frames:
  - a. Materials: Metallic-coated steel sheet, minimum thickness of 0.053 inch (1.3 mm), with minimum A60 (ZF180) coating.
  - b. Construction: Full profile welded.

## 2.3 FRAME ANCHORS

- A. Jamb Anchors:
  1. Type: Anchors of minimum size and type required by applicable door and frame standard, and suitable for performance level indicated.
  2. Quantity: Minimum of three anchors per jamb, with one additional anchor for frames with no floor anchor. Provide one additional anchor for each 24 inches (610 mm) of frame height above 7 feet (2.1 m).
- B. Floor Anchors: Provide floor anchors for each jamb and mullion that extends to floor.
- C. Floor Anchors for Concrete Slabs with Underlayment: Adjustable-type anchors with extension clips, allowing not less than 2-inch (51-mm) height adjustment. Terminate bottom of frames at top of underlayment.
- D. Material: ASTM A879/A879M, Commercial Steel (CS), 04Z (12G) coating designation; mill phosphatized.
  1. For anchors built into exterior walls, steel sheet complying with ASTM A1008/A1008M or ASTM A1011/A1011M; hot-dip galvanized in accordance with ASTM A153/A153M, Class B.

## 2.4 MATERIALS

- A. Cold-Rolled Steel Sheet: ASTM A1008/A1008M, Commercial Steel (CS), Type B; suitable for exposed applications.

- B. Hot-Rolled Steel Sheet: ASTM A1011/A1011M, Commercial Steel (CS), Type B; free of scale, pitting, or surface defects; pickled and oiled.
- C. Metallic-Coated Steel Sheet: ASTM A653/A653M, Commercial Steel (CS), Type B.
- D. Inserts, Bolts, and Fasteners: Hot-dip galvanized in accordance with ASTM A153/A153M.
- E. Power-Actuated Fasteners in Concrete: Fastener system of type suitable for application indicated, fabricated from corrosion-resistant materials, with clips or other accessory devices for attaching hollow-metal frames of type indicated.
- F. Mineral-Fiber Insulation: ASTM C665, Type I (blankets without membrane facing); consisting of fibers manufactured from slag or rock wool; with maximum flame-spread and smoke-developed indexes of 25 and 50, respectively; passing ASTM E136 for combustion characteristics.

## 2.5 FABRICATION

- A. Door Astragals: Provide overlapping astragal. Extend minimum 3/4 inch (19 mm) beyond edge of door on which astragal is mounted.
- B. Hollow-Metal Frames: Fabricate in one piece except where handling and shipping limitations require multiple sections. Where frames are fabricated in sections, provide alignment plates or angles at each joint, fabricated of metal of same or greater thickness as frames.
- C. Hardware Preparation: Factory prepare hollow-metal doors and frames to receive templated mortised hardware, and electrical wiring; include cutouts, reinforcement, mortising, drilling, and tapping in accordance with ANSI/SDI A250.6, the Door Hardware Schedule, and templates.
  - 1. Reinforce doors and frames to receive nontemplated, mortised, and surface-mounted door hardware.
  - 2. Comply with BHMA A156.115 for preparing hollow-metal doors and frames for hardware.

## 2.6 STEEL FINISHES

- A. Prime Finish: Clean, pretreat, and apply manufacturer's standard primer.
  - 1. Shop Primer: Manufacturer's standard, fast-curing, lead- and chromate-free primer complying with ANSI/SDI A250.10; recommended by primer manufacturer for substrate; compatible with substrate and field-applied coatings despite prolonged exposure.
  - 2. Field apply finish paint. Consult owner for color.

## PART 3 - EXECUTION

### 3.1 PREPARATION

- A. Remove welded-in shipping spreaders installed at factory. Restore exposed finish by grinding, filling, and dressing, as required to make repaired area smooth, flush, and invisible on exposed faces. Touch up factory-applied finishes where spreaders are removed.
- B. Drill and tap doors and frames to receive nontemplated, mortised, and surface-mounted door hardware.

### 3.2 INSTALLATION

- A. Hollow-Metal Frames: Comply with ANSI/SDI A250.11.
  - 1. Set frames accurately in position; plumbed, aligned, and braced securely until permanent anchors are set. After wall construction is complete, remove temporary braces without damage to completed Work.
    - a. Where frames are fabricated in sections, field splice at approved locations by welding face joint continuously; grind, fill, dress, and make splice smooth, flush, and invisible on exposed faces. Touch-up finishes.
    - b. Install frames with removable stops located on secure side of opening.
  - 2. Fire-Rated Openings: Install frames in accordance with NFPA 80.
  - 3. Floor Anchors: Secure with postinstalled expansion anchors.
  - 4. Solidly pack mineral-fiber insulation inside frames.
  - 5. Installation Tolerances: Adjust hollow-metal frames to the following tolerances:
    - a. Squareness: Plus or minus 1/16 inch (1.6 mm), measured at door rabbet on a line 90 degrees from jamb perpendicular to frame head.
    - b. Alignment: Plus or minus 1/16 inch (1.6 mm), measured at jambs on a horizontal line parallel to plane of wall.
    - c. Twist: Plus or minus 1/16 inch (1.6 mm), measured at opposite face corners of jambs on parallel lines, and perpendicular to plane of wall.
    - d. Plumbness: Plus or minus 1/16 inch (1.6 mm), measured at jambs at floor.
- B. Hollow-Metal Doors: Fit and adjust hollow-metal doors accurately in frames, within clearances specified below.
  - 1. Non-Fire-Rated Steel Doors: Comply with ANSI/SDI A250.8.

### 3.3 FIELD QUALITY CONTROL

- A. Inspection Agency: Owner will engage a qualified inspector to perform inspections.
- B. Inspections:

- C. Repair or remove and replace installations where inspections indicate that they do not comply with specified requirements.
- D. Reinspect repaired or replaced installations to determine if replaced or repaired door assembly installations comply with specified requirements.

#### 3.4 REPAIR

- A. Prime-Coat Touchup: Immediately after erection, sand smooth rusted or damaged areas of prime coat and apply touchup of compatible air-drying, rust-inhibitive primer.
- B. Metallic-Coated Surface Touchup: Clean abraded areas and repair with galvanizing repair paint according to manufacturer's written instructions.
- C. Touchup Painting: Cleaning and touchup painting of abraded areas of paint are specified in painting Sections.

END OF SECTION 081113

## SECTION 083323 - OVERHEAD COILING DOORS

### PART 1 - GENERAL

#### 1.1 SUMMARY

- A. Section Includes:
  - 1. Insulated service doors.
- B. Related Requirements:
  - 1. Section 055000 "Metal Fabrications" for miscellaneous steel supports, door-opening framing, corner guards, and bollards.

#### 1.2 ACTION SUBMITTALS

- A. Product Data: For each type and size of overhead coiling door and accessory.
- B. Shop Drawings: For each installation and for special components not dimensioned or detailed in manufacturer's product data.
  - 1. Include points of attachment and their corresponding static and dynamic loads imposed on structure.
  - 2. Show locations of controls, locking devices detectors or replaceable fusible links, and other accessories.
  - 3. Include diagrams for power, signal, and control wiring.
- C. Samples: For each exposed product and for each color and texture specified.

#### 1.3 INFORMATIONAL SUBMITTALS

- A. Sample warranty.

#### 1.4 CLOSEOUT SUBMITTALS

- A. Special warranty.
- B. Maintenance data.
- C. Record Documents.

## 1.5 QUALITY ASSURANCE

- A. Installer Qualifications: An entity that employs installers and supervisors who are trained and approved by manufacturer for both installation and maintenance of units required for this Project.

## 1.6 WARRANTY

- A. Special Warranty: Manufacturer agrees to repair or replace components of doors that fail in materials or workmanship within specified warranty period.
  - 1. Warranty Period: Two years from date of Substantial Completion.

## PART 2 - PRODUCTS

- 2.1 Basis of design is Overhead Door Corporation Series 625 Stormtite Insulated Service Door with RHX motor to match existing overhead rollup insulated service doors.

## 2.2 PERFORMANCE REQUIREMENTS

- A. Accessibility Standard: Comply with applicable provisions in ICC A117.1.
- B. Structural Performance, Exterior Doors: Capable of withstanding the following design wind loads:
  - 1. Design Wind Load: 112 mph ultimate wind load.
  - 2. Seismic Performance: Overhead coiling doors withstand the effects of earthquake motions determined according to ASCE/SEI 7.
  - 3. Door to operate at variable speed of 8 to 12 inches per second.

## 2.3 DOOR ASSEMBLY

- A. Insulated Service Door: Overhead coiling door formed with curtain of interlocking metal slats.
- B. Operation Cycles: Door components and operators capable of operating for not less than 20,000.
- C. Insulated Door Curtain R-Value: 7.7.
- D. Insulated Door Assembly U-Factor: 0.13.
- E. Door Curtain Material: Galvanized steel.
- F. Door Curtain Slats: Flat profile slats of 3/4 inch thick x 2-5/8-inch center-to-center height to match existing.

1. Insulated-Slat Interior Facing: Metal.
- G. Bottom Bar: Two angles, each not less than 1-1/2 by 1-1/2 by 1/8 inch; fabricated from hot-dip galvanized steel and finished to match door.
- H. Curtain Jamb Guides: Structural steel angles with exposed finish matching curtain slats.
- I. Hood: Galvanized steel, 24 gauge, with intermediate supports as required.
  1. Mounting: Face of wall.
- J. Locking Devices: Equip door with chain lock keeper.
- K. Electric Door Operator:
  1. Usage Classification: Heavy duty, 25 or more cycles per hour and more than 90 cycles per day.
  2. Safety: Listed according to UL 325 by a qualified testing agency for commercial or industrial use.
  3. Motor Exposure: Interior.
  4. Motor Electrical Characteristics:
    - a. Horsepower: 1 ½ HP.
    - b. Voltage: 230V, 1 phase 60 Hz.
  5. Emergency Manual Operation: See Section 083323 Overhead Coiling Doors 2.10.F Emergency Manual Operation.
  6. Obstruction-Detection Device: Automatic electric sensor edge on bottom bar.
  7. Control Station(s): Interior mounted.
- L. Door Finish:
  1. Baked-Enamel Finish: Color to match existing doors. Slats and hood shall be galvanized steel in accordance with ASTM A653 and receive 0.2 mils thick baked on prime paint and 0.6 mils thick baked on polyester top coat. Non galvanized exposed ferrous surfaces shall receive one coat of rust-inhibitive primer.
  2. Factory Prime Finish: Manufacturer's standard color.

## 2.4 MATERIALS, GENERAL

- A. Electrical Components, Devices, and Accessories: Listed and labeled as defined in NFPA 70 and marked for intended location and application.

## 2.5 DOOR CURTAIN MATERIALS AND CONSTRUCTION

- A. Door Curtains: Fabricate overhead coiling-door curtain of interlocking metal slats, designed to withstand wind loading indicated, in a continuous length for width of door without splices. Unless otherwise indicated, provide slats of thickness and mechanical properties recommended by door manufacturer for performance, size, and type of door indicated, and as follows:

1. Insulation: Fill slats for insulated doors with manufacturer's standard thermal insulation complying with maximum flame-spread and smoke-developed indexes of 75 and 450, respectively, according to ASTM E84 or UL 723. Enclose insulation completely within slat faces.
  2. Metal Interior Curtain-Slat Facing: Match metal of exterior curtain-slat face, with minimum steel thickness of 22 gauge.
- B. Curtain Jamb Guides: Manufacturer's standard angles or channels and angles of same material and finish as curtain slats unless otherwise indicated, with sufficient depth and strength to retain curtain, to allow curtain to operate smoothly, and to withstand loading. Slot bolt holes for guide adjustment. Provide removable stops on guides to prevent overtravel of curtain.

## 2.6 HOODS

- A. General: Form sheet metal hood to entirely enclose coiled curtain and operating mechanism at opening head. Contour to fit end brackets to which hood is attached. Roll and reinforce top and bottom edges for stiffness. Form closed ends for surface-mounted hoods and fascia for any portion of between-jamb mounting that projects beyond wall face. Equip hood with intermediate support brackets as required to prevent sagging.

## 2.7 LOCKING DEVICES

- A. Chain Lock Keeper: Suitable for padlock.

## 2.8 CURTAIN ACCESSORIES

- A. Weatherseals for Exterior Doors: Equip each exterior door with weather-stripping gaskets fitted to entire exterior perimeter of door for a weather-resistant installation unless otherwise indicated.
- B. Push/Pull Handles: Equip each push-up-operated or emergency-operated door with handles on each side of door, finished to match door.
- C. Pull-Down Strap: Provide pull-down straps for doors more than 84 inches (2130 mm) high.
- D. Pole Hooks: Provide pole hooks and poles for doors more than 84 inches (2130 mm) high.

## 2.9 COUNTERBALANCE MECHANISM

- A. General: Counterbalance doors by means of manufacturer's standard mechanism with an adjustable-tension, steel helical torsion spring mounted around a steel shaft and contained in a spring barrel connected to top of curtain with barrel rings. Use grease-sealed bearings or self-lubricating graphite bearings for rotating members.
- B. Brackets: Manufacturer's standard mounting brackets of either cast iron or cold-rolled steel plate.

## 2.10 ELECTRIC DOOR OPERATORS

- A. General: Electric door operator assembly of size and capacity recommended and provided by door manufacturer for door and operation-cycles requirement specified, with electric motor and factory-prewired motor controls, starter, gear-reduction unit, solenoid-operated brake, clutch, control stations, control devices, integral gearing for locking door, and accessories required for proper operation.
  - 1. Comply with NFPA 70.
  - 2. Control equipment complying with NEMA ICS 1, NEMA ICS 2, and NEMA ICS 6, with NFPA 70 Class 2 control circuit, maximum 24-V ac or dc.
- B. Usage Classification: Electric operator and components capable of operating for not less than number of cycles per hour indicated for each door.
- C. Motors: Reversible-type motor with controller (disconnect switch) for motor exposure indicated for each door assembly.
  - 1. Electrical Characteristics: Minimum as indicated for each door assembly. If not indicated, large enough to start, accelerate, and operate door in either direction from any position, at a speed not less than 8 in./sec. and not more than 12 in./sec., without exceeding nameplate ratings or service factor.
  - 2. Operating Controls, Controllers, Disconnect Switches, Wiring Devices, and Wiring: Manufacturer's standard unless otherwise indicated.
- D. Obstruction-Detection Devices: External entrapment protection consisting of indicated automatic safety sensor capable of protecting full width of door opening..
  - 1. Pneumatic Sensor Edge: Automatic safety sensor edge, located within astragal or weather stripping mounted to bottom bar. Contact with sensor activates device.
- E. Control Station: Three-button control station in fixed location with momentary-contact push-button controls labeled "Open" and "Stop" and sustained- or constant-pressure push-button control labeled "Close."
  - 1. Interior-Mounted Units: Full-guarded, surface-mounted, heavy-duty type, with general-purpose NEMA ICS 6, Type 1 enclosure.
- F. Emergency Manual Operation: Equip each electrically powered door with capability for emergency manual operation. Design manual mechanism so required force for door operation does not exceed 25 lbf .
- G. Emergency Operation Disconnect Device: Equip operator with hand-operated disconnect mechanism for automatically engaging manual operator and releasing brake for emergency manual operation while disconnecting motor without affecting timing of limit switch. Mount mechanism so it is accessible from floor level. Include interlock device to automatically prevent motor from operating when emergency operator is engaged.
- H. Motor Removal: Design operator so motor may be removed without disturbing limit-switch adjustment and without affecting emergency manual operation.

## PART 3 - EXECUTION

### 3.1 INSTALLATION, GENERAL

- A. Install overhead coiling doors and operating equipment complete with necessary hardware, anchors, inserts, hangers, and equipment supports; according to manufacturer's written instructions and as specified.

### 3.2 FIELD QUALITY CONTROL

- A. Perform the following tests and inspections with the assistance of a factory-authorized service representative:
  - 1. Test door release, closing, and alarm operations when activated by smoke detector or building's fire-alarm system. Test manual operation of closed door. Reset door-closing mechanism after successful test.
- B. Repair or remove and replace installations where inspections indicate that they do not comply with specified requirements.
- C. Reinspect repaired or replaced installations to determine if replaced or repaired door assembly installations comply with specified requirements.

### 3.3 DEMONSTRATION

- A. Engage a factory-authorized service representative to train Owner's maintenance personnel to adjust, operate, and maintain overhead coiling doors.

END OF SECTION 083323

## SECTION 087100 - DOOR HARDWARE

### PART 1 - GENERAL

#### 1.1 SUMMARY

- A. Section Includes:
  - 1. Mechanical door hardware for the following:
    - a. Swinging doors.

#### 1.2 PREINSTALLATION MEETINGS

- A. Preinstallation Conference: Conduct conference at Project site.
- B. Keying Conference: Conduct conference at Project site.

#### 1.3 ACTION SUBMITTALS

- A. Product Data: For each type of product.
- B. Samples: For each exposed product in each finish specified.
- C. Door hardware schedule.
- D. Keying schedule.

#### 1.4 INFORMATIONAL SUBMITTALS

- A. Sample warranty.

#### 1.5 CLOSEOUT SUBMITTALS

- A. Maintenance data.

#### 1.6 WARRANTY

- A. Special Warranty: Manufacturer agrees to repair or replace components of door hardware that fail in materials or workmanship within specified warranty period.
  - 1. Warranty Period: Three years from date of Substantial Completion unless otherwise indicated below:

## PART 2 - PRODUCTS

### 2.1 PERFORMANCE REQUIREMENTS

- A. Means of Egress Doors: Latches do not require more than 15 lbf (67 N) to release the latch. Locks do not require use of a key, tool, or special knowledge for operation.

### 2.2 HINGES

- A. Hinges: BHMA A156.1. Provide template-produced hinges for hinges installed on hollow-metal doors and hollow-metal frames.

### 2.3 SELF-CLOSING HINGES AND PIVOTS

- A. Self-Closing Hinges and Pivots: BHMA A156.17.

### 2.4 MECHANICAL LOCKS AND LATCHES

- A. Lock Throw: Comply with testing requirements for length of bolts required as follows:
  - 1. Bored Locks: Minimum 1/2-inch (13-mm) latchbolt throw.
  - 2. Levers: Cast.
    - a. Rhodes (RHO).
- B. Strikes: Provide manufacturer's standard strike for each lock bolt or latchbolt complying with requirements indicated for applicable lock or latch and with strike box and curved lip extended to protect frame; finished to match lock or latch.
  - 1. 1-1/4" x 4-7/8" ANSI curved lip strike

### 2.5 LOCK CYLINDERS

- A. Lock Cylinders: Tumbler type, constructed from brass or bronze, stainless steel, or nickel silver. Provide cylinder from same manufacturer of locking devices.
  - 1. Schlage
  - 2. Core Type: Interchangeable.

### 2.6 KEYING

- A. Keying System: Factory registered, complying with guidelines in BHMA A156.28, appendix. Provide one extra key blank for each lock.
  - 1. Consult Owner for Master Key System.

## 2.7 OPERATING TRIM

- A. Operating Trim: BHMA A156.6; stainless steel unless otherwise indicated.

## 2.8 SURFACE CLOSERS

- A. Surface Closers: BHMA A156.4; rack-and-pinion hydraulic type with adjustable sweep and latch speeds controlled by key-operated valves and forged-steel main arm. Comply with manufacturer's written instructions for size of door closers depending on size of door, exposure to weather, and anticipated frequency of use. Provide factory-sized closers, adjustable to meet field conditions and requirements for opening force.

## 2.9 OVERHEAD STOPS AND HOLDERS

- A. Overhead Stops and Holders: BHMA A156.8.

## 2.10 DOOR GASKETING

- A. Door Gasketing: BHMA A156.22; with resilient or flexible seal strips that are easily replaceable and readily available from stocks maintained by manufacturer.
- B. Maximum Air Leakage: When tested in accordance with ASTM E283 with tested pressure differential of 0.3-inch wg (75 Pa), as follows:
  - 1. Gasketing on Single Doors: 0.3 cfm/sq. ft. (3 cu. m per minute/sq. m) of door opening.

## 2.11 THRESHOLDS

- A. Thresholds: BHMA A156.21; fabricated to full width of opening indicated.

## 2.12 FINISHES

- A. Provide finishes complying with BHMA A156.18.

## PART 3 - EXECUTION

### 3.1 INSTALLATION

- A. Mounting Heights: Mount door hardware units at heights specified by owners unless otherwise indicated or required to comply with governing regulations.
  - 1. Standard Steel Doors and Frames: ANSI/SDI A250.8.
- B. Install each door hardware item to comply with manufacturer's written instructions. Where cutting and fitting are required to install door hardware onto or into surfaces that are later to be

painted or finished in another way, coordinate removal, storage, and reinstallation of surface protective trim units with finishing work. Do not install surface-mounted items until finishes have been completed on substrates involved.

- C. Hinges: Install types and in quantities indicated in door hardware schedule, but not fewer than the number recommended by manufacturer for application indicated or one hinge for every 30 inches (750 mm) of door height, whichever is more stringent, unless other equivalent means of support for door, such as spring hinges or pivots, are provided.
- D. Lock Cylinders: Install construction cores to secure building and areas during construction period.
  - 1. Replace construction cores with permanent cores as directed by Owner.
- E. Thresholds: Set thresholds for exterior doors and other doors indicated in full bed of sealant complying with requirements specified in Section 079200 "Joint Sealants."
- F. Stops: Provide floor stops for doors unless wall or other type stops are indicated in door hardware schedule. Do not mount floor stops where they will impede traffic.
- G. Perimeter Gasketing: Apply to head and jamb, forming seal between door and frame.
  - 1. Do not notch perimeter gasketing to install other surface-applied hardware.
- H. Meeting Stile Gasketing: Fasten to meeting stiles, forming seal when doors are closed.
- I. Door Bottoms: Apply to bottom of door, forming seal with threshold when door is closed.

### 3.2 ADJUSTING

- A. Adjust and check each operating item of door hardware and each door to ensure proper operation or function of every unit. Replace units that cannot be adjusted to operate as intended. Adjust door control devices to compensate for final operation of heating and ventilating equipment and to comply with referenced accessibility requirements.

### 3.3 DOOR HARDWARE SCHEDULE

- A. Hardware Set 1: Each door to have the following:
  - 1. Schlage ND53RD RHO (RHODES) Entrance Lever Lock with FSIC Full Size Interchangeable Core.

END OF SECTION 087100

## SECTION 133419 - METAL BUILDING SYSTEMS

### PART 1 - GENERAL

#### 1.1 SUMMARY

- A. Section Includes:
  - 1. Structural-steel framing.
  - 2. Metal roof panels.
  - 3. Metal wall panels.
  - 4. Accessories.

#### 1.2 ACTION SUBMITTALS

- A. Product Data: For each type of metal building system component.
- B. Shop Drawings: Indicate components by others. Include full building plan, elevations, sections, details and attachments to other work.
- C. Samples: For units with factory-applied finishes.
- D. Delegated-Design Submittal: For metal building systems.
  - 1. Include analysis data indicating compliance with performance requirements and design data signed and sealed by the qualified professional engineer responsible for their preparation.

#### 1.3 INFORMATIONAL SUBMITTALS

- A. Welding certificates.
- B. Letter of Design Certification: Signed and sealed by a qualified professional engineer. Include the following:
  - 1. Name and location of Project.
  - 2. Order number.
  - 3. Name of manufacturer.
  - 4. Name of Contractor.
  - 5. Building dimensions including width, length, height, and roof slope.
  - 6. Indicate compliance with AISC standards for hot-rolled steel and AISI standards for cold-rolled steel, including edition dates of each standard.
  - 7. Governing building code and year of edition.
  - 8. Design Loads: Include dead load, roof live load, collateral loads, roof snow load, deflection, wind loads/speeds and exposure, seismic design category or effective peak velocity-related acceleration/peak acceleration, and auxiliary loads (cranes).

9. Load Combinations: Indicate that loads were applied acting simultaneously with concentrated loads, according to governing building code.
10. Risk Category: Indicate effect on load importance factors.

- C. Material test reports.
- D. Source quality-control reports.
- E. Field quality-control reports.
- F. Sample warranties.

#### 1.4 CLOSEOUT SUBMITTALS

- A. Maintenance data.

#### 1.5 QUALITY ASSURANCE

- A. Manufacturer Qualifications: A qualified manufacturer.
  1. Accreditation: Manufacturer's facility accredited according to the International Accreditation Service's AC472, "Accreditation Criteria for Inspection Programs for Manufacturers of Metal Building Systems."
  2. Engineering Responsibility: Preparation of comprehensive engineering analysis and Shop Drawings by a professional engineer who is legally qualified to practice in jurisdiction where Project is located.
- B. Erector Qualifications: An experienced erector who specializes in erecting and installing work similar in material, design, and extent to that indicated for this Project and who is acceptable to manufacturer.
- C. Welding Qualifications: Qualify procedures and personnel according to the following:
  1. AWS D1.1/D1.1M, "Structural Welding Code - Steel."
  2. AWS D1.3, "Structural Welding Code - Sheet Steel."

#### 1.6 WARRANTY

- A. Special Warranty on Metal Panel Finishes: Manufacturer agrees to repair finish or replace metal panels that show evidence of deterioration of factory-applied finishes within specified warranty period.
  1. Finish Warranty Period: 25 years from date of Substantial Completion.
- B. Special Weathertightness Warranty for Standing-Seam Metal Roof Panels: Manufacturer agrees to repair or replace standing-seam metal roof panel assemblies that leak or otherwise fail to remain weathertight within specified warranty period.
  1. Warranty Period: 20 years from date of Substantial Completion.

## PART 2 - PRODUCTS

### 2.1 MANUFACTURERS

- A. Butler Manufacturing.
- B. Ceko Building Systems.
- C. Garco Building Systems, Inc.
- D. Nucor Building Systems.
- E. Star Building Systems.
- F. Varco Pruden Buildings.

### 2.2 PERFORMANCE REQUIREMENTS

- A. Delegated Design: Engage a qualified professional engineer, as defined in Section 014000 "Quality Requirements," to design metal building system.
- B. Structural Performance: Metal building systems shall withstand the effects of gravity loads and the following loads and stresses within limits and under conditions indicated according to procedures in MBMA's "Metal Building Systems Manual."
  - 1. Design Loads: As indicated on Drawings.
  - 2. Design all framing, bracing and anchor bolts for a fully clad building. Owner may elect to clad entire building in the future.
  - 3. Deflection and Drift Limits: Design metal building system assemblies to withstand serviceability design loads without exceeding deflections and drift limits recommended in AISC Steel Design Guide No. 3 "Serviceability Design Considerations for Steel Buildings."
  - 4. Deflection and Drift Limits: No greater than the following:
    - a. Purlins and Rafters: Vertical deflection of 1/240 of the span.
    - b. Girts: Horizontal deflection of 1/240 of the span.
    - c. Metal Roof Panels: Vertical deflection of 1/240 of the span.
    - d. Metal Wall Panels: Horizontal deflection of 1/240 of the span.
    - e. Design secondary-framing system to accommodate deflection of primary framing and construction tolerances, and to maintain clearances at openings.
    - f. Lateral Drift: Maximum of 1/200 of the building height.
- C. Seismic Performance: Metal building system shall withstand the effects of earthquake motions determined according to ASCE/SEI 7.
- D. Thermal Movements: Allow for thermal movements from ambient and surface temperature changes by preventing buckling, opening of joints, overstressing of components, failure of joint sealants, failure of connections, and other detrimental effects. Base calculations on surface temperatures of materials due to both solar heat gain and nighttime-sky heat loss.

1. Temperature Change: 120 deg F (67 deg C), ambient; 180 deg F (100 deg C), material surfaces.
- E. for Metal Roof and Wall Panels: Provide metal panel systems capable of withstanding the effects of the following loads, based on testing according to ASTM E1592:
1. Wind Loads for Components and Cladding: As indicated on Drawings.
- F. Air Infiltration for Metal Roof Panels: Air leakage of not more than 0.06 cfm/sq. ft. (0.3 L/s per sq. m) when tested according to ASTM E1680 or ASTM E283 at the following test-pressure difference:
1. Test-Pressure Difference: 1.57 lbf/sq. ft. (75 Pa).
- G. Air Infiltration for Metal Wall Panels: Air leakage of not more than 0.06 cfm/sq. ft. (0.3 L/s per sq. m) when tested according to ASTM E283 at the following test-pressure difference:
1. Test-Pressure Difference: 1.57 lbf/sq. ft. (75 Pa).
- H. Water Penetration for Metal Roof Panels: No water penetration when tested according to ASTM E1646 or ASTM E331 at the following test-pressure difference:
1. Test-Pressure Difference: 2.86 lbf/sq. ft. (137 Pa).
- I. Water Penetration for Metal Wall Panels: No water penetration when tested according to ASTM E331 at the following test-pressure difference:
1. Test-Pressure Difference: 2.86 lbf/sq. ft. (137 Pa).
- J. Wind-Uplift Resistance: Provide metal roof panel assemblies that comply with UL 580 for wind-uplift-resistance class indicated.
1. Uplift Rating: UL 90.
- K. Energy Performance: Provide roof panels according to one of the following when tested according to CRRC-1:
1. Three-year, aged, Solar Reflectance Index of not less than 64 when calculated according to ASTM E1980.
- L. Thermal Performance for Opaque Elements: Provide the following maximum U-factors and minimum R-values when tested according to ASTM C1363 or ASTM C518:
1. Roof:
    - a. U-Factor: 0.125.
    - b. R-Value: 8.
  2. Walls:
    - a. U-Factor: 0.125.
    - b. R-Value: 8.

## 2.3 STRUCTURAL-STEEL FRAMING

- A. Structural Steel: Comply with AISC 360, "Specification for Structural Steel Buildings."
- B. Bolted Connections: Comply with RCSC's "Specification for Structural Joints Using High-Strength Bolts."
- C. Cold-Formed Steel: Comply with AISI's "North American Specification for the Design of Cold-Formed Steel Structural Members" for design requirements and allowable stresses.
- D. Primary Framing: Manufacturer's standard primary-framing system, designed to withstand required loads and specified requirements. Primary framing includes transverse and lean-to frames; rafters and rake beams; sidewall, intermediate, end-wall, and corner columns; and wind bracing.
  - 1. General: Provide frames with attachment plates, bearing plates, and splice members. Factory drill for field-bolted assembly. Provide frame span and spacing indicated.
    - a. Slight variations in span and spacing may be acceptable if necessary to comply with manufacturer's standard, as approved by Architect.
  - 2. Frame Configuration: Single gable.
  - 3. Exterior Column: Tapered.
  - 4. Rafter: Tapered.
- E. End-Wall Framing: Manufacturer's standard primary end-wall framing fabricated for field-bolted assembly to comply with the following:
- F. Secondary Framing: Manufacturer's standard secondary framing, including purlins, girts, eave struts, flange bracing, base members, gable angles, clips, headers, jambs, and other miscellaneous structural members. Unless otherwise indicated, fabricate framing from either cold-formed, structural-steel sheet or roll-formed, metallic-coated steel sheet, prepainted with coil coating, to comply with the following:
- G. Anchor Rods: Headed anchor rods as indicated in Anchor Rod Plan for attachment of metal building to foundation.
- H. All framing to receive two (2) coats of standard grey shop primer.

## 2.4 METAL ROOF PANELS

- A. Standing-Seam, Trapezoidal-Rib, Metal Roof Panels: Formed with interlocking ribs at panel edges and intermediate stiffening ribs symmetrically spaced between ribs; designed for sequential installation by mechanically attaching panels to supports using concealed clips located under one side of panels and engaging opposite edge of adjacent panels.
  - 1. Material: Zinc-coated (galvanized) or aluminum-zinc alloy-coated steel sheet, 0.024-inch (0.61-mm) nominal uncoated steel thickness. Prepainted by the coil-coating process to comply with ASTM A755/A755M.
    - a. Exterior Finish: Two-coat fluoropolymer.

- b. Color: As selected by Owner from manufacturer's full range.
- 2. Clips: One-piece fixed to accommodate thermal movement.
- 3. Joint Type: Panels snapped together.
- 4. Panel Coverage: 24 inches (610 mm).
- 5. Panel Height: 3 inches (76 mm).

## 2.5 METAL WALL PANELS

### A. Exposed-Fastener, Tapered-Rib, Metal Wall Panels.

- 1. Material: Zinc-coated (galvanized) or aluminum-zinc alloy-coated steel sheet, 0.024-inch (0.61-mm) nominal uncoated steel thickness. Prepainted by the coil-coating process to comply with ASTM A755/A755M.
  - a. Exterior Finish: Two-coat fluoropolymer.
  - b. Color: As selected by Owner from manufacturer's full range.
- 2. Major-Rib Spacing: 6 inches (152 mm) o.c.
- 3. Panel Coverage: 36 inches (914 mm).
- 4. Panel Height: 1.125 inches (29 mm).

## 2.6 ACCESSORIES

- A. General: Provide accessories as standard with metal building system manufacturer and as specified. Fabricate and finish accessories at the factory to greatest extent possible, by manufacturer's standard procedures and processes. Comply with indicated profiles and with dimensional and structural requirements.
  - 1. Form exposed sheet metal accessories that are without excessive oil-canning, buckling, and tool marks and that are true to line and levels indicated, with exposed edges folded back to form hems.
- B. Roof Panel Accessories: Provide components required for a complete metal roof panel assembly including copings, fasciae, corner units, ridge closures, clips, sealants, gaskets, fillers, closure strips, and similar items. Match material and finish of metal roof panels unless otherwise indicated.
- C. Wall Panel Accessories: Provide components required for a complete metal wall panel assembly including copings, fasciae, mullions, sills, corner units, clips, sealants, gaskets, fillers, closure strips, and similar items. Match material and finish of metal wall panels unless otherwise indicated.
- D. Flashing and Trim: Zinc-coated (galvanized) or aluminum-zinc alloy-coated steel sheet, 0.018-inch (0.46-mm) nominal uncoated steel thickness, prepainted with coil coating; finished to match adjacent metal panels.
- E. Gutters: Zinc-coated (galvanized) or aluminum-zinc alloy-coated steel sheet, 0.018-inch (0.46-mm) nominal uncoated steel thickness, prepainted with coil coating; finished to match roof

fascia and rake trim. Match profile of gable trim, complete with end pieces, outlet tubes, and other special pieces as required. Fabricate in minimum 96-inch- (2438-mm-) long sections, sized according to SMACNA's "Architectural Sheet Metal Manual."

1. Gutter Supports: Fabricated from same material and finish as gutters.
  2. Strainers: Bronze, copper, or aluminum wire ball type at outlets.
- F. Downspouts: Zinc-coated (galvanized) or aluminum-zinc alloy-coated steel sheet, 0.018-inch (0.46-mm) nominal uncoated steel thickness, prepainted with coil coating; finished to match metal wall panels. Fabricate in minimum 10-foot- (3-m-) long sections, complete with formed elbows and offsets.
1. Mounting Straps: Fabricated from same material and finish as gutters.
- G. Roof Ventilators: Gravity type, complete with hardware, flashing, closures, and fittings.
1. Continuous or Sectional-Ridge Type: Factory-engineered and -fabricated, continuous unit; Zinc-coated (galvanized) or aluminum-zinc alloy-coated steel sheet, 0.018-inch (0.46-mm) nominal uncoated steel thickness, prepainted with coil coating; finished to match metal roof panels. Fabricated in minimum 10-foot- (3-m-) long sections. Provide throat size and total length indicated, complete with side baffles, ventilator assembly, end caps, splice plates, and reinforcing diaphragms.
    - a. Bird Screening: Galvanized steel, 1/2-inch- (13-mm-) square mesh, 0.041-inch (1.04-mm) wire; or aluminum, 1/2-inch- (13-mm-) square mesh, 0.063-inch (1.6-mm) wire.

## 2.7 FABRICATION

- A. General: Design components and field connections required for erection to permit easy assembly.
1. Mark each piece and part of the assembly to correspond with previously prepared erection drawings, diagrams, and instruction manuals.
  2. Fabricate structural framing to produce clean, smooth cuts and bends. Punch holes of proper size, shape, and location. Members shall be free of cracks, tears, and ruptures.
- B. Tolerances: Comply with MBMA's "Metal Building Systems Manual" for fabrication and erection tolerances.
- C. Primary Framing: Shop fabricate framing components to indicated size and section, with baseplates, bearing plates, stiffeners, and other items required for erection welded into place. Cut, form, punch, drill, and weld framing for bolted field assembly.
- D. Secondary Framing: Shop fabricate framing components to indicated size and section by roll forming or break forming, with baseplates, bearing plates, stiffeners, and other plates required for erection welded into place. Cut, form, punch, drill, and weld secondary framing for bolted field connections to primary framing.

- E. Metal Panels: Fabricate and finish metal panels at the factory to greatest extent possible, by manufacturer's standard procedures and processes, as necessary to fulfill indicated performance requirements. Comply with indicated profiles and with dimensional and structural requirements.
  - 1. Provide panel profile, including major ribs and intermediate stiffening ribs, if any, for full length of metal panel.

## 2.8 SOURCE QUALITY CONTROL

- A. Special Inspection: Owner will engage a qualified special inspector to perform source quality control inspections and to submit reports.
  - 1. Accredited Manufacturers: Special inspections will not be required if fabrication is performed by an IAS AC472-accredited manufacturer approved by authorities having jurisdiction to perform such Work without special inspection.
- B. Product will be considered defective if it does not pass tests and inspections.
- C. Prepare test and inspection reports.

## PART 3 - EXECUTION

### 3.1 ERECTION OF STRUCTURAL FRAMING

- A. Erect metal building system according to manufacturer's written instructions and drawings.
- B. Do not field cut, drill, or alter structural members without written approval from metal building system manufacturer's professional engineer.
- C. Set structural framing accurately in locations and to elevations indicated, according to AISC specifications referenced in this Section. Maintain structural stability of frame during erection.
- D. Base and Bearing Plates: Clean concrete-bearing surfaces of bond-reducing materials, and roughen surfaces prior to setting plates. Clean bottom surface of plates.
  - 1. Set plates for structural members on wedges, shims, or setting nuts as required.
  - 2. Tighten anchor rods after supported members have been positioned and plumbed. Do not remove wedges or shims but, if protruding, cut off flush with edge of plate before packing with grout.
  - 3. Promptly pack grout solidly between bearing surfaces and plates so no voids remain. Neatly finish exposed surfaces; protect grout and allow to cure. Comply with manufacturer's written installation instructions for shrinkage-resistant grouts.
- E. Align and adjust structural framing before permanently fastening. Before assembly, clean bearing surfaces and other surfaces that will be in permanent contact with framing. Perform necessary adjustments to compensate for discrepancies in elevations and alignment.
  - 1. Level and plumb individual members of structure.

2. Make allowances for difference between temperature at time of erection and mean temperature when structure will be completed and in service.
- F. Primary Framing and End Walls: Erect framing level, plumb, rigid, secure, and true to line. Level baseplates to a true even plane with full bearing to supporting structures, set with double-nutted anchor bolts. Use grout to obtain uniform bearing and to maintain a level base-line elevation. Moist-cure grout for not less than seven days after placement.
1. Make field connections using high-strength bolts installed according to RCSC's "Specification for Structural Joints Using High-Strength Bolts" for bolt type and joint type specified.
    - a. Joint Type: Snug tightened or pretensioned as required by manufacturer.
- G. Secondary Framing: Erect framing level, plumb, rigid, secure, and true to line. Field bolt secondary framing to clips attached to primary framing.
1. Provide rake or gable purlins with tight-fitting closure channels and fasciae.
  2. Locate and space wall girts to suit openings such as doors and windows.
  3. Provide supplemental framing at entire perimeter of openings, including doors, windows, ventilators, and other penetrations of roof and walls.
- H. Bracing: Install bracing in roof and sidewalls where indicated on erection drawings.
1. Tighten rod and cable bracing to avoid sag.
  2. Locate interior end-bay bracing only where indicated.
- I. Framing for Openings: Provide shapes of proper design and size to reinforce openings and to carry loads and vibrations imposed, including equipment furnished under mechanical and electrical work. Securely attach to structural framing.
- J. Erection Tolerances: Maintain erection tolerances of structural framing within AISC 303.

### 3.2 METAL PANEL INSTALLATION, GENERAL

- A. General: Anchor metal panels and other components of the Work securely in place, with provisions for thermal and structural movement.
1. Field cut metal panels as required for doors, windows, and other openings. Cut openings as small as possible, neatly to size required, and without damage to adjacent metal panel finishes.
    - a. Field cutting of metal panels by torch is not permitted unless approved in writing by manufacturer.
  2. Install metal panels perpendicular to structural supports unless otherwise indicated.
  3. Flash and seal metal panels with weather closures at perimeter of openings and similar elements. Fasten with self-tapping screws.
  4. Locate and space fastenings in uniform vertical and horizontal alignment.
  5. Locate metal panel splices over structural supports with end laps in alignment.

6. Lap metal flashing over metal panels to allow moisture to run over and off the material.
- B. Lap-Seam Metal Panels: Install screw fasteners using power tools with controlled torque adjusted to compress EPDM washers tightly without damage to washers, screw threads, or metal panels. Install screws in predrilled holes.
    1. Arrange and nest side-lap joints so prevailing winds blow over, not into, lapped joints. Lap ribbed or fluted sheets one full rib corrugation. Apply metal panels and associated items for neat and weathertight enclosure. Avoid "panel creep" or application not true to line.
  - C. Metal Protection: Where dissimilar metals contact each other or corrosive substrates, protect against galvanic action by painting contact surfaces with corrosion-resistant coating, by applying rubberized-asphalt underlayment to each contact surface, or by other permanent separation as recommended by metal roof panel manufacturer.
  - D. Joint Sealers: Install gaskets, joint fillers, and sealants where indicated and where required for weatherproof performance of metal panel assemblies. Provide types of gaskets, fillers, and sealants indicated; or, if not indicated, provide types recommended by metal panel manufacturer.
    1. Seal metal panel end laps with double beads of tape or sealant the full width of panel. Seal side joints where recommended by metal panel manufacturer.
    2. Prepare joints and apply sealants to comply with requirements in Section 079200 "Joint Sealants."

### 3.3 METAL ROOF PANEL INSTALLATION

- A. General: Provide metal roof panels of full length from eave to ridge unless otherwise indicated or restricted by shipping limitations.
  1. Install ridge caps as metal roof panel work proceeds.
  2. Flash and seal metal roof panels with weather closures at eaves and rakes. Fasten with self-tapping screws.
- B. Standing-Seam Metal Roof Panels: Fasten metal roof panels to supports with concealed clips at each standing-seam joint, at location and spacing and with fasteners recommended by manufacturer.
  1. Install clips to supports with self-drilling or self-tapping fasteners.
  2. Install pressure plates at locations indicated in manufacturer's written installation instructions.
  3. Snap Joint: Nest standing seams and fasten together by interlocking and completely engaging factory-applied sealant.
  4. Seamed Joint: Crimp standing seams with manufacturer-approved motorized seamer tool so that clip, metal roof panel, and factory-applied sealant are completely engaged.
  5. Rigidly fasten eave end of metal roof panels and allow ridge end free movement for thermal expansion and contraction. Predrill panels for fasteners.
  6. Provide metal closures at edges and each side of ridge caps.

- C. Metal Fascia Panels: Align bottom of metal panels and fasten with blind rivets, bolts, or self-drilling or self-tapping screws. Flash and seal metal panels with weather closures where fasciae meet soffits, along lower panel edges, and at perimeter of all openings.

### 3.4 METAL WALL PANEL INSTALLATION

- A. General: Install metal wall panels in orientation, sizes, and locations indicated on Drawings. Install panels perpendicular to girts, extending full height of building, unless otherwise indicated. Anchor metal wall panels and other components of the Work securely in place, with provisions for thermal and structural movement.
  1. Unless otherwise indicated, begin metal panel installation at corners with center of rib lined up with line of framing.
  2. Shim or otherwise plumb substrates receiving metal wall panels.
  3. When two rows of metal panels are required, lap panels 4 inches (102 mm) minimum.
  4. When building height requires two rows of metal panels at gable ends, align lap of gable panels over metal wall panels at eave height.
  5. Rigidly fasten base end of metal wall panels and allow eave end free movement for thermal expansion and contraction. Pre-drill panels.
  6. Flash and seal metal wall panels with weather closures at eaves and rakes, and at perimeter of all openings. Fasten with self-tapping screws.
  7. Install screw fasteners in predrilled holes.
  8. Install flashing and trim as metal wall panel work proceeds.
  9. Apply elastomeric sealant continuously between metal base channel (sill angle) and concrete, and elsewhere as indicated on Drawings; if not indicated, as necessary for waterproofing.
  10. Align bottom of metal wall panels and fasten with blind rivets, bolts, or self-drilling or self-tapping screws.
  11. Provide weatherproof escutcheons for pipe and conduit penetrating exterior walls.
- B. Metal Wall Panels: Install metal wall panels on exterior side of girts. Attach metal wall panels to supports with fasteners as recommended by manufacturer.

### 3.5 ACCESSORY INSTALLATION

- A. General: Install accessories with positive anchorage to building and weathertight mounting, and provide for thermal expansion. Coordinate installation with flashings and other components.
  1. Install components required for a complete metal roof panel assembly, including trim, copings, ridge closures, seam covers, flashings, sealants, gaskets, fillers, closure strips, and similar items.
  2. Install components for a complete metal wall panel assembly, including trim, copings, corners, seam covers, flashings, sealants, gaskets, fillers, closure strips, and similar items.
  3. Where dissimilar metals contact each other or corrosive substrates, protect against galvanic action by painting contact surfaces with corrosion-resistant coating, by applying rubberized-asphalt underlayment to each contact surface, or by other permanent separation as recommended by manufacturer.

- B. Flashing and Trim: Comply with performance requirements, manufacturer's written installation instructions, and SMACNA's "Architectural Sheet Metal Manual." Provide concealed fasteners where possible, and set units true to line and level. Install work with laps, joints, and seams that will be permanently watertight and weather resistant.
1. Install exposed flashing and trim that is without excessive oil-canning, buckling, and tool marks and that is true to line and levels indicated, with exposed edges folded back to form hems. Install sheet metal flashing and trim to fit substrates and to result in waterproof and weather-resistant performance.
  2. Expansion Provisions: Provide for thermal expansion of exposed flashing and trim. Space movement joints at a maximum of 10 feet (3 m) with no joints allowed within 24 inches (600 mm) of corner or intersection. Where lapped or bayonet-type expansion provisions cannot be used or would not be sufficiently weather resistant and waterproof, form expansion joints of intermeshing hooked flanges, not less than 1 inch (25 mm) deep, filled with mastic sealant (concealed within joints).
- C. Gutters: Join sections with riveted-and-soldered or lapped-and-sealed joints. Attach gutters to eave with gutter hangers spaced as required for gutter size, but not more than 36 inches (914 mm) o.c. using manufacturer's standard fasteners. Provide end closures and seal watertight with sealant. Provide for thermal expansion.
- D. Downspouts: Join sections with 1-1/2-inch (38-mm) telescoping joints. Provide fasteners designed to hold downspouts securely 1 inch (25 mm) away from columns or walls; locate fasteners at top and bottom and at approximately 60 inches (1524 mm) o.c. in between.
1. Provide elbows at base of downspouts to direct water away from building.
  2. Provide splash blocks at downspout discharges.
- E. Continuous Roof Ventilators: Set ventilators complete with necessary hardware, anchors, dampers, weather guards, rain caps, and equipment supports. Join sections with splice plates and end-cap skirt assemblies where required to achieve indicated length. Install preformed filler strips at base to seal ventilator to metal roof panels.

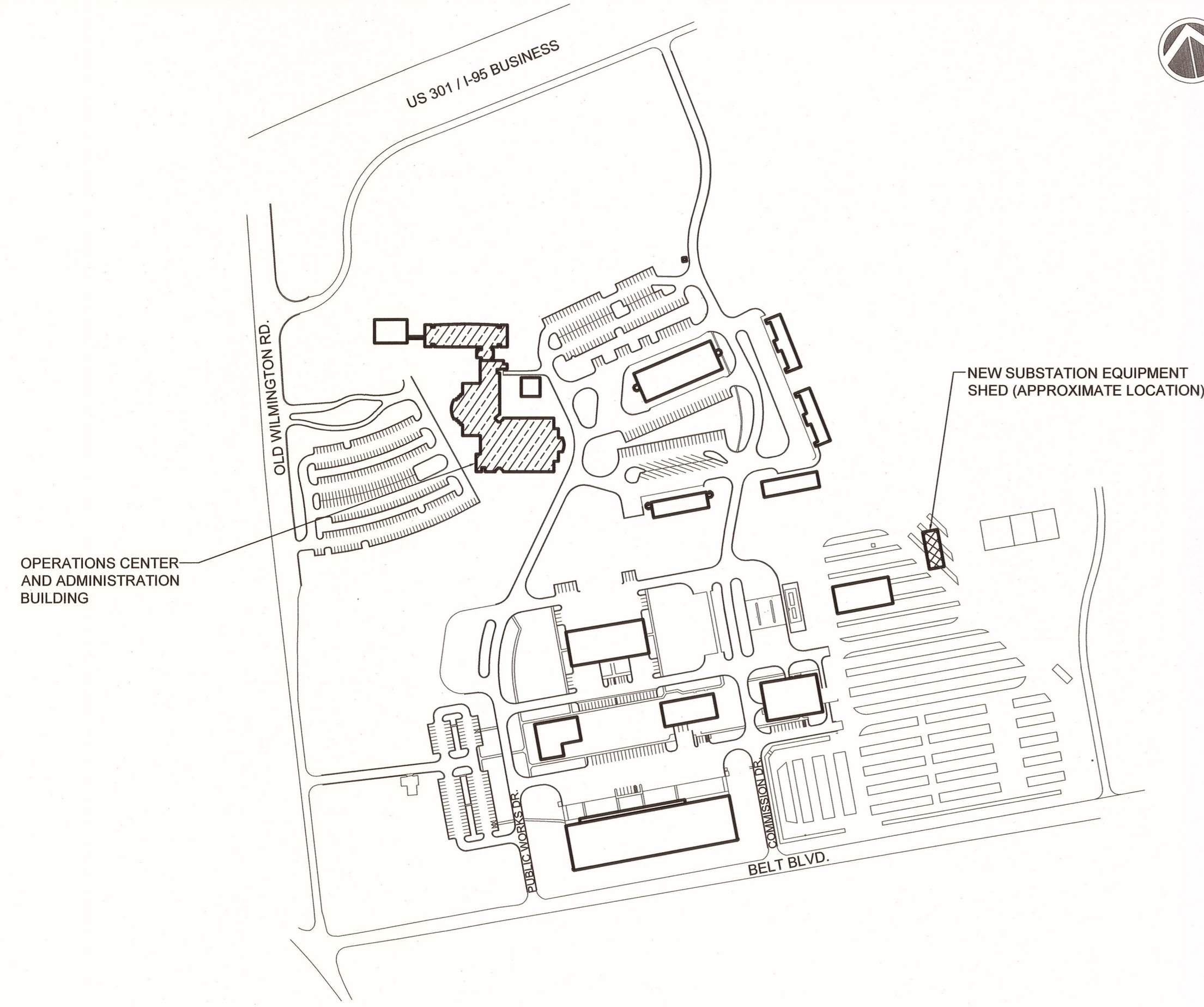
### 3.6 FIELD QUALITY CONTROL

- A. Special Inspections: Owner will engage a qualified special inspector to perform field quality control special inspections and to submit reports.
- B. Product will be considered defective if it does not pass tests and inspections.
- C. Prepare test and inspection reports.

END OF SECTION 133419

# APPENDICES

# OPERATIONS COMPLEX CAMPUS MAP



# PROJECT TITLE

# FAYETTEVILLE PUBLIC WORKS COMMISSION

## SUBSTATION EQUIPMENT SHED BUILDING

955 OLD WILMINGTON ROAD  
FAYETTEVILLE, NORTH CAROLINA 28301

### GENERAL NOTES

- Design Loads**  
Risk Category I  
Importance Factors:  
Snow (Is) = 0.8  
Seismic (Ie) = 1.0  
  
Live Loads:  
Roof..... 20psf (Non-reducible)  
  
Special Loads and Design Criteria: See Item 5, "Pre-Engineered Metal Building"  
  
Ground Snow Load, (Pg): 10 psf  
  
Wind Load:  
Ultimate wind speed 112 mph (ASCE 7-10 / 2018 NC Building Code)  
Exposure Category C  
  
Component & Cladding:  
All cladding and building components will be designed and anchored to resist component and cladding wind forces determined according to the NC State Building Code for the Exposure Category and Importance Factor indicated above. Provide all bracing and connections necessary to transfer loads to structure.  
  
Seismic Load:  
Mapped Spectral Response Accelerations, Ss = 0.222%g S1 = 0.097%g  
Site Classification = D  
Seismic Design Category = C
- Materials**  
A. Concrete  
fc = 4500 psi Reg. wt. U.N.O.  
All concrete to have max water/cement ratio of 0.45,  
2% maximum air entrainment for interior slab-on-grade,  
5% maximum air entrainment for exterior slab-on-grade  
Slump = 4" +/- 1".  
No HRWR admixtures (i.e. superplasticizer) are permitted  
B. Reinforcing Steel ASTM A-615 Grade 60  
C. Welded Wire Fabric ASTM A-185  
D. Structural Steel ASTM A-36 U.N.O  
E. Structural Pipe ASTM A-53, Type E or S, Gr. B  
F. Bolts ASTM A-325N  
G. Weld Electrodes E70  
H. Anchor Rods ASTM F1554 (Gr. 55) w/ASTM A-563 heavy hex nuts (Hot-Dip-Galvanize)
- Foundations**  
A. Allowable presumptive soil bearing pressure is 1500psf.  
B. A horizontal shear key with reinforcing continuous through the joint will be used at all cold joints in continuous footings/walls.  
C. A horizontal shear key with reinforcing continuous through the joint will be used at all cold joints in the slab on grade unless shown otherwise.  
D. Compact bottom of all footing excavations with a vibratory hand operated compactor before placing reinforcing in footing excavations.  
E. Upon receipt of the column reactions, the engineer will review the reactions and adjust the foundation design if required.  
F. Compact stone layer under floor slabs with a vibratory hand operated compactor before placing slab reinforcing.  
G. Provide footing reinforcing corner bars at all footing corners and intersections.  
H. Sides of all turned down slabs and concrete walls are to be formed.  
I. All concrete work will comply with ACI 301 "Specifications for Structural Concrete" and ACI 318 "Building Code Requirements for Structural Concrete" unless otherwise noted on the drawings and specifications.  
J. Work the foundation drawings together with the anchor bolt setting plan and drawings provided by the Pre-Engineered Metal Building Manufacturer. Notify Engineer of any significant discrepancies.  
K. The contractor will coordinate and verify size, location, type, and direction of all pads, depressions, bolts, sleeves, anchors, openings, etc. to be set or cast in concrete prior to placement.  
L. Submit one hard copy of shop drawings for the Structural Engineer's review if shop drawings are transmitted electronically.
- Miscellaneous**  
A. General Contractor to notify our office during major phases of construction so observations can be made by our office as required.
- Pre-engineered Metal Building**  
A. Pre-engineered metal building minimum design criteria is indicated below.  
- Design metal building for 20 psf minimum roof live load (non-reducible).  
- Design metal building for a minimum collateral load of 5 psf in addition to live load.  
- Design purlins at eaves that support gutters or metal stud fascia for a minimum of 250 plf roof live load due to potential ice formation.  
- Use of 10 yr mean recurrence wind pressures or use of probability factors are not permitted in order to reduce wind loads for deflection calculations.  
- Limit (D+L or S or W) deflection of roof members to L/240.  
- Limit lateral wind drift to H/200 under full wind load.  
- Design frames and wind posts using pinned bases.  
- Rigid frames and cable bracing are to be used to provide lateral stability of pre-engineered metal building. Roofing panels and perimeter walls must not be used for diaphragm loads.  
B. Pre-engineered metal building manufacturer is to submit the metal building design for review. Include the following items in the submittal:  
- IAS AC472 certification.  
- Building design criteria and column base reactions for each column.  
C. The metal building manufacturer will visit the building during construction to insure the metal building and all components supplied by the metal building manufacturer are erected/installed correctly.

### SCHEDULE OF ABBREVIATIONS

ABBREVIATION	DESCRIPTION	ABBREVIATION	DESCRIPTION
ALUM.	ALUMINUM	JT.	JOINT
ARCH.	ARCHITECT	LLH	LONG LEG HORIZONTAL
BLDG.	BUILDING	LLV	LONG LEG VERTICAL
BM.	BEAM	LVL	LAMINATED VENEER LUMBER
B.O.B.	BOTTOM OF BEAM	MAX.	MAXIMUM
B.O.D.	BOTTOM OF DECK	MIN.	MINIMUM
B.O.F.	BOTTOM OF FOOTING	MECH.	MECHANICAL
BOTT.	BOTTOM	MFG.	MANUFACTURER
BRG.	BEARING	N.S.	NEAR SIDE
CHKD.	CHECKED	N.T.S.	NOT TO SCALE
C.J.	CONTROL JOINT	O/C	ON CENTER
CLR.	CLEAR	OPP.	OPPOSITE
C.M.U.	CONCRETE MASONRY UNITS	REG.	REGULAR
COL.	COLUMN	REINF.	REINFORCING
CONC.	CONCRETE	RM.	ROOM
CONN.	CONNECTION	REQ'D.	REQUIRED
CONSTR.	CONSTRUCTION	REQ'T.	REQUIREMENT
CONT.	CONTINUOUS	SHT.	SHEET
DWGS.	DRAWINGS	SQ.	SQUARE
EA.	EACH	S.S.	STAINLESS STEEL
E.F.	EACH FACE	STD.	STANDARD
EL.	ELEVATION	THICK.	THICKENED
ELEV.	ELEVATION	THRD.	THREADED
E.S.	EACH SIDE	T & B	TOP AND BOTTOM
E.W.	EACH WAY	T.O.B.	TOP OF BEAM
EXIST.	EXISTING	T.O.F.	TOP OF FOOTING
EXP.	EXPANSION	T/F	TOP OF FOOTING
FDN.	FOUNDATION	T.O.P.	TOP OF PIER
F.S.	FAR SIDE	T.O.S.	TOP OF SLAB
GALV.	GALVANIZED	T/S	TOP OF SLAB
G.C.	GENERAL CONTRACTOR	T.O.W.	TOP OF WALL
G.T.	GIRDER TRUSS	T/W	TOP OF WALL
GEN.	GENERAL	TYP.	TYPICAL
HORIZ.	HORIZONTAL	U.N.O.	UNLESS NOTED OTHERWISE
H.C.	HOLLOW CORE	WT.	WEIGHT
HORZ.	HORIZONTAL	W.P.	WORK POINT

### INDEX OF DRAWINGS

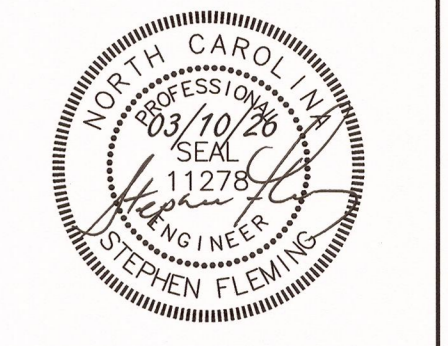
SHEET	TITLE
<b>GENERAL</b>	
G1.0	INDEX OF DRAWINGS, CAMPUS MAP, GENERAL NOTES AND SCHEDULE OF ABBREVIATIONS
G1.1	NC BUILDING CODE APPENDIX B
<b>STRUCTURAL</b>	
S1.0	FOUNDATION / FLOOR PLAN, NOTES, SCHEDULE, SECTIONS & DETAILS
S2.0	ROOF PLAN, BUILDING SECTIONS, AND ELEVATIONS
S3.0	ROOF SECTIONS, DOOR DETAILS, AND DOOR SCHEDULE
<b>ELECTRICAL</b>	
E-0	ELECTRICAL LEAD PLAN
E-1	ELECTRICAL NEW WORK PLAN

**FF FLEMING & ASSOCIATES, P.A.**  
STRUCTURAL ENGINEERING  
BUILDING ENCLOSURES  
1004 HAY STREET, FAYETTEVILLE, NC 28305  
OFFICE 910-433-2825  
FAX 910-433-2804  
www.flemingandassociates.com  
Firm License No. C-2828

This drawing and the design shown are the property of Fleming and Associates, P.A. The reproduction, copying or other use of this drawing without their written consent is prohibited and any infringement will be subject to legal action.  
© Fleming 2025

**CONSULTANTS**  
ELECTRICAL  
**pdc**

**Progressive Design Collaborative, Ltd.**  
3101 Poplarwood Court, Suite 300  
Raleigh, North Carolina 27604  
919-790-9969  
License# C-0185



**FAYETTEVILLE PUBLIC WORKS COMMISSION**  
SUBSTATION EQUIPMENT SHED BUILDING  
955 OLD WILMINGTON ROAD  
FAYETTEVILLE, NORTH CAROLINA 28301

**PROJECT TEAM**  
DESIGNED BY: S. FLEMING, PE, RBEC  
DRAWN BY: S. WHEELER  
CHECKED BY: S. FLEMING, PE, RBEC

NO.	REASON	DATE

**INDEX OF DRAWINGS, CAMPUS MAP, GENERAL NOTES, AND SCHEDULE OF ABBREVIATIONS**

DATE: 03/10/2026  
PROJECT NO.: 25-68  
SHEET NUMBER: **G1.0**

**2018 APPENDIX B  
BUILDING CODE SUMMARY FOR ALL COMMERCIAL PROJECTS  
(EXCEPT 1 AND 2-FAMILY DWELLINGS AND TOWNHOUSES)**  
(Reproduce the following data on the building plans sheet 1 or 2)

Name of Project: Substation Equipment Shed Building  
Address: 955 Old Wilmington Rd., Fayetteville Zip Code 28301  
Owner/Authorized Agent: Butler Phone # (910) 222-4333 E-Mail joimatham.butler@butler.com  
Owned By:  City/County  Private  State  FAYPAC.com  
Code Enforcement Jurisdiction:  City/Fayetteville  County  State

CONTACT: Stephen Fleming, PE, sfleming@flemingandassociates.com

DESIGNER FIRM NAME LICENSE # TELEPHONE # E-MAIL  
Architectural Butler (1)  
Civil Butler (1)  
Electrical PDC James Butkovich 24551 (919) 799-9989  
Fire Alarm Butler (1)  
Plumbing Butler (1)  
Mechanical Butler (1)  
Sprinkler/Standpipe Butler (1)  
Structural Fleming & Associates Stephen Fleming 11278 (910) 433-2825  
Remaining Walls > 5' High Butler (1)  
Other Butler (1)  
(\*Other\* should include firms and individuals such as truss, precast, pre-engineered, interior designers, etc.)

2018 NC BUILDING CODE:  New Building  Addition  Renovation

1<sup>st</sup> Time Interior Completion  
 Shell/Enclosure - Contact the local inspection jurisdiction for possible additional procedures and requirements  
 Phased Construction - Shell/Enclosure - Contact the local inspection jurisdiction for possible additional procedures and requirements

2018 NC EXISTING BUILDING CODE EXISTING:  Prescriptive  Repair  Chapter 14  
Alteration:  Level I  Level II  Level III

CONSTRUCTED: (date) \_\_\_\_\_ CURRENT OCCUPANCY(S) (Ch. 3): \_\_\_\_\_  
RENOVATED: (date) \_\_\_\_\_ PROPOSED OCCUPANCY(S) (Ch. 3): \_\_\_\_\_

RISK CATEGORY (Table 1604.5): Current:  I  II  III  IV  
Proposed:  I  II  III  IV

BASIC BUILDING DATA  
Construction Type:  I-A  I-B  II-A  II-B  III-A  III-B  IV  V-A  V-B  
(check all that apply)  
Sprinklers:  No  Partial  Yes  NFPA 13  NFPA 13R  NFPA 13D  
Standpipes:  No  Yes  Class  I  II  III  Wet  Dry  
Fire District:  No  Yes  Flood Hazard Area:  No  Yes  
Special Inspections Required:  No  Yes (Contact the local inspection jurisdiction for additional procedures and requirements.)

FLOOR	Gross Building Area Table		SUB-TOTAL
	EXISTING (SQ FT)	NEW (SQ FT)	
1 <sup>st</sup> Floor			
2 <sup>nd</sup> Floor			
Mezzanine			
1 <sup>st</sup> Floor	0	4,000	4,000
Basement			
TOTAL			4,000

**ALLOWABLE AREA**

Primary Occupancy Classification(s): Select one Select one Select one Select one  
Assembly  A-1  A-2  A-3  A-4  A-5

Business   
Educational   
Factory  F-1 Moderate  F-2 Low  
Hazardous  H-1 Detonate  H-2 Deflagrate  H-3 Combust  H-4 Health  H-5 IHPM  
Institutional  I-1 Condition  I-2  I-3  I-4  I-5

Mercantile   
Residential  R-1  R-2  R-3  R-4  
Storage  S-1 Moderate  S-2 Low  High-piled  
 Parking Garage  Open  Enclosed  Repair Garage  
Utility and Miscellaneous  N/A

Accessory Occupancy Classification(s): N/A  
Incidental Uses (Table 509): N/A  
Special Uses (Chapter 4 - List Code Sections): N/A

Special Provisions (Chapter 5 - List Code Sections): N/A  
Mixed Occupancy:  No  Yes Separation: \_\_\_\_\_ Hr. Exception: \_\_\_\_\_  
 Non-Separated Use (508.3) - The required type of construction for the building shall be determined by applying the height and area limitations for each of the applicable occupancies to the entire building. The most restrictive type of construction, so determined, shall apply to the entire building.  
 Separated Use (508.4) - See below for area calculations for each story, the area of the occupancy shall be such that the sum of the ratios of the actual floor area of each use divided by the allowable floor area for each use shall not exceed 1.

Actual Area of Occupancy A + Actual Area of Occupancy B  
Allowable Area of Occupancy A + Allowable Area of Occupancy B ≤ 1.00

STORY NO.	DESCRIPTION AND USE	(A) BLDG AREA PER STORY (ACTUAL)	(B) TABLE 506.2 AREA	(C) AREA FOR FRONTAGE INCREASE <sup>1</sup>	(D) ALLOWABLE AREA PER STORY (MINIMUM) <sup>2</sup>
1	Shed	4,000 ft <sup>2</sup>	26,000 ft <sup>2</sup>	0 ft <sup>2</sup>	26,000 ft <sup>2</sup>

<sup>1</sup> Frontage area increases from Section 506.3 are computed thus:  
a. Perimeter which fronts a public way or open space having 20 feet minimum width = 240' (P)  
b. Total Building Perimeter = 280' (P)  
c. Ratio (P/P) = 84% (P/P)  
d. W = Minimum width of public way = 30' (W)  
e. Percent of frontage increase I<sub>f</sub> = 100(P/P - 0.25) x W/30 = 59% (W)  
<sup>2</sup> Unlimited area applicable under conditions of Section 507.  
<sup>3</sup> Maximum Building Area = total number of stories in the building x D (maximum 3 stories) (506.2).  
<sup>4</sup> The maximum area of open parking garages must comply with Table 406.5.4.  
<sup>5</sup> Frontage increase is based on the unspinklered area value in Table 506.2.

**ALLOWABLE HEIGHT**

BUILDING HEIGHT IN FEET (TABLE 504.3) <sup>1</sup>	ALLOWABLE	SHOWN ON PLANS	CODE REFERENCE <sup>2</sup>
Building Height in Stories (Table 504.3) <sup>1</sup>	55'	20'	

<sup>1</sup> Provide code reference if the "Shown on Plans" quantity is not based on Table 504.3 or 504.4.  
<sup>2</sup> The maximum height of air traffic control towers must comply with Table 412.3.1.  
<sup>3</sup> The maximum height of open parking garages must comply with Table 406.5.4.

**FIRE PROTECTION REQUIREMENTS**

BUILDING ELEMENT	FIRE SEPARATION DISTANCE (FEET)	RAU <sup>1</sup>	RATING PROVIDED (W/REDUCTION)	DETAIL # AND SHEET #	DESIGN # FOR RATED ASSEMBLY	SHEET # FOR RATED PENETRATION	SHEET # FOR RATED JOINTS
Structural Frame, including columns, girders, trusses	30	0	0				
Roofing	N/A						
Roofing Walls							
Exterior							
Interior							
Nonbearing Walls and Partitions	N/A						
Exterior walls							
Interior							
Roof Construction		0	0				
Includes supporting beams and joists		0	0				
Floor Ceiling Assembly	N/A						
Columns Supporting Floors	N/A						
Roof Construction, including supporting beams and joists		0	0				
Floor Ceiling Assembly		0	0				
Columns Supporting Roof	N/A						
Shaft Enclosures - Exit	N/A						
Shaft Enclosures - Other	N/A						
Corridor Separation	N/A						
Occupancy/Use Barrier Separation	N/A						
Party/Wire Wall Separation	N/A						
Smoke Partitions	N/A						
Smoke Barrier Separation	N/A						
Smoke Partitions	N/A						
Transit/Dwelling Unit Separation	N/A						
Showering Unit Separation	N/A						
Incidental Use Separation	N/A						

\* Indicate section number permitting reduction

**PERCENTAGE OF WALL-OPENING CALCULATIONS**

FIRE SEPARATION DISTANCE (FEET) FROM PROPERTY LINES	DEGREE OF OPENING PROTECTION (TABLE 705.4)	ALLOWABLE AREA (%)	ACTUAL BROWN ON PLANS (%)
>30	UP, NS	No Limit	9.7

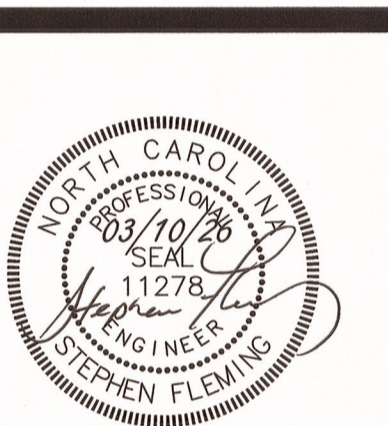
**LIFE SAFETY SYSTEM REQUIREMENTS**

Emergency Lighting:  No  Yes  
Exit Signs:  No  Yes  
Fire Alarm:  No  Yes  
Smoke Detection System:  No  Yes  Partial  
Carbon Monoxide Detection:  No  Yes

**LIFE SAFETY PLAN REQUIREMENTS**

Life Safety Plan Sheet #: N/A

- Fire and/or smoke rated wall locations (Chapter 7)
- Assumed and real property line locations (if not on the site plan)
- Exterior wall opening area with respect to distance to assumed property lines (705.8)
- Occupancy Use for each area as it relates to occupant load calculation (Table 1004.1.2)
- Occupant loads for each area
- Exit access travel distances (1017)
- Common path of travel distances (Tables 1006.2.1 & 1006.3.2(1))
- Dead end lengths (1020.4)
- Clear exit widths for each exit door
- Maximum calculated occupant load capacity each exit door can accommodate based on egress width (1005.3)
- Actual occupant load for each exit door
- A separate schematic plan indicating where fire rated floor/ceiling and/or roof structure is provided for purpose of occupancy separation
- Location of doors with panic hardware (1010.1.10)
- Location of doors with delayed egress locks and the amount of delay (1010.1.9.7)
- Location of doors with electromagnetic egress locks (1010.1.9.9)
- Location of doors equipped with hold-open devices
- Location of emergency escape windows (1030)
- The square footage of each fire area (202)
- The square footage of each smoke compartment for Occupancy Classification 1-2 (407.5)
- Note any code exceptions or table notes that may have been utilized regarding the items above



**ACCESSIBLE DWELLING UNITS**  
(SECTION 1107)

TOTAL UNITS	ACCESSIBLE UNITS REQUIRED	ACCESSIBLE UNITS PROVIDED	TYPE A UNITS REQUIRED	TYPE A UNITS PROVIDED	TYPE B UNITS REQUIRED	TYPE B UNITS PROVIDED	TOTAL ACCESSIBLE UNITS PROVIDED
N/A							

**ACCESSIBLE PARKING**  
(SECTION 1109)

LOT OR PARKING AREA	TOTAL # OF PARKING SPACES REQUIRED	TOTAL # OF PARKING SPACES PROVIDED	# OF ACCESSIBLE SPACES PROVIDED:			TOTAL # ACCESSIBLE UNITS PROVIDED
			REGULAR WITH 5' ACCESS AISLE	12' ACCESS AISLE	IF ACCESSIBLE	
N/A						
TOTAL						

**PLUMBING FIXTURE REQUIREMENTS**  
(TABLE 2901.1)

SPACE	USE	WATERCLOSETS			URINALS			LAVATORIES			SHOWERS	DRINKING FOUNTAINS	
		MALE	FEMALE	UNSEX	MALE	FEMALE	UNSEX	TOTAL	PROTECTOR	ACCESSIBLE			
N/A	N/A												
N/A	N/A												

**SPECIAL APPROVALS**

Special approval: (Local Jurisdiction, Department of Insurance, OSC, DPI, DHHS, etc., describe below)  
N/A

**ENERGY SUMMARY**

ENERGY REQUIREMENTS:  
The following data shall be considered minimum and any special attribute required to meet the energy code shall also be provided. Each Designer shall furnish the required portions of the project information for the plan data sheet. If performance method, state the annual energy cost for the standard reference design vs annual energy cost for the proposed design.

Existing building envelope complies with code:  No  Yes (The remainder of this section is not applicable)

Exempt Building:  No  Yes (Provide code or statutory reference): NCBCC C402.1.1  
Does not contain conditioned space

Climate Zone:  3A  4A  5A

Method of Compliance: Energy Code  Performance  Prescriptive  
ASHRAE 90.1  Performance  Prescriptive  
(If "Other" specify source here) N/A

THERMAL ENVELOPE (Prescriptive method only)

Roof/Ceiling Assembly (each assembly)

Description of assembly: Metal roof panels and batt insulation  
U-Value of total assembly: 0.125  
R-Value of insulation: 8  
Skylights in each assembly: N/A  
U-Value of skylight: \_\_\_\_\_  
total square footage of skylights in each assembly: \_\_\_\_\_

Exterior Walls (each assembly)

Description of assembly: Metal wall panels and batt insulation  
U-Value of total assembly: 0.125  
R-Value of insulation: 8  
Openings (windows or doors with glazing): \_\_\_\_\_  
U-Value of assembly: \_\_\_\_\_  
Solar heat gain coefficient: N/A  
projection factor: \_\_\_\_\_  
Door R-Value: \_\_\_\_\_

Walls below grade (each assembly)

Description of assembly: N/A  
U-Value of total assembly: \_\_\_\_\_  
R-Value of insulation: \_\_\_\_\_

Floors over unconditioned space (each assembly)

Description of assembly: N/A  
U-Value of total assembly: \_\_\_\_\_  
R-Value of insulation: \_\_\_\_\_

Floors slab on grade

Description of assembly: N/A  
U-Value of total assembly: \_\_\_\_\_  
R-Value of insulation: \_\_\_\_\_  
Horizontal/vertical requirement: \_\_\_\_\_  
slab heated: \_\_\_\_\_

**2018 APPENDIX B  
BUILDING CODE SUMMARY FOR ALL COMMERCIAL PROJECTS**

**STRUCTURAL DESIGN**  
(PROVIDE ON THE STRUCTURAL SHEETS IF APPLICABLE)

DESIGN LOADS:

Importance Factors: Snow (h) 0.8  
Seismic (h) 1.0

Live Loads: Roof 20 psf  
Mezzanine N/A psf  
Floor N/A psf

Ground Snow Load: 10 psf

Wind Load: Ultimate Wind Speed 112 mph (ASCE-7) ASCE 7-10  
Exposure Category C

SEISMIC DESIGN CATEGORY:  A  B  C  D

Provide the following Seismic Design Parameters:  
Risk Category (Table 1604.5)  I  II  III  IV  
Spectral Response Acceleration S<sub>1</sub> 0.222, %g S<sub>2</sub> 0.027, %g

Site Classification (ASCE 7)  A  B  C  D  E  F

Data Source:  Field Test  Presumptive  Historical Data  
Basic structural system  Bearing Wall  Dual w/Special Moment Frame  
 Building Frame  Dual w/Intermediate R/C or Special Steel  
 Moment Frame  Inverted Pendulum  
Analysis Procedure:  Simplified  Equivalent Lateral Force  Dynamic  
Architectural, Mechanical, Components anchored?  Yes  No

LATERAL DESIGN CONTROL: Earthquake  Wind

SOIL BEARING CAPACITIES:  
Field Test (provide copy of test report): N/A psf  
Presumptive Bearing capacity 1,500 psf (To be field verified)  
Pile size, type, and capacity N/A

**2018 APPENDIX B  
BUILDING CODE SUMMARY FOR ALL COMMERCIAL PROJECTS**

**MECHANICAL DESIGN**  
(PROVIDE ON THE MECHANICAL SHEETS IF APPLICABLE)

MECHANICAL SYSTEMS, SERVICE SYSTEMS AND EQUIPMENT

Thermal Zone

winter dry bulb: \_\_\_\_\_ N/A  
summer dry bulb: \_\_\_\_\_

Interior design conditions  
winter dry bulb: \_\_\_\_\_  
summer dry bulb: \_\_\_\_\_  
relative humidity: \_\_\_\_\_

Building heating load: \_\_\_\_\_

Building cooling load: \_\_\_\_\_

Mechanical Spacing Conditioning System

Unitary  
description of unit: \_\_\_\_\_  
heating efficiency: \_\_\_\_\_  
cooling efficiency: \_\_\_\_\_  
size category of unit: \_\_\_\_\_  
Boiler  
Size category. If oversized, state reason: \_\_\_\_\_  
Chiller  
Size category. If oversized, state reason: \_\_\_\_\_

List equipment efficiencies: \_\_\_\_\_

**2018 APPENDIX B  
BUILDING CODE SUMMARY FOR ALL COMMERCIAL PROJECTS**

**ELECTRICAL DESIGN**  
(PROVIDE ON THE ELECTRICAL SHEETS IF APPLICABLE)

ELECTRICAL SYSTEM AND EQUIPMENT

Method of Compliance: Energy Code  Performance  Prescriptive  
ASHRAE 90.1  Performance  Prescriptive

Lighting schedule (each fixture type)

lamp type required in fixture See Fixture Schedule  
number of lamps in fixture See Fixture Schedule  
ballast type used in the fixture See Specifications  
number of ballasts in fixture See Specifications  
total wattage per fixture See Fixture Schedule  
total interior wattage specified vs. allowed 636 watts versus 2,841 watts (building area)  
total exterior wattage specified vs. allowed 72 watts versus 780 watts

Additional Efficiency Package Options  
(When using the 2018 NCBCC; not required for ASHRAE 90.1)

C406.2 More Efficient HVAC Equipment Performance  
 C406.3 Reduced Lighting Power Density  
 C406.4 Enhanced Digital Lighting Controls  
 C406.5 On-Site Renewable Energy  
 C406.6 Dedicated Outdoor Air System  
 C406.7 Reduced Energy Use in Service Water Heating

DESIGNER NOTE:  
To the best of my knowledge and belief, the design of this building complies with the electrical system and equipment requirements of the 2018 North Carolina Building Code, Energy Conservation Code.

DESIGNED BY: S. FLEMING, PE, RBEC

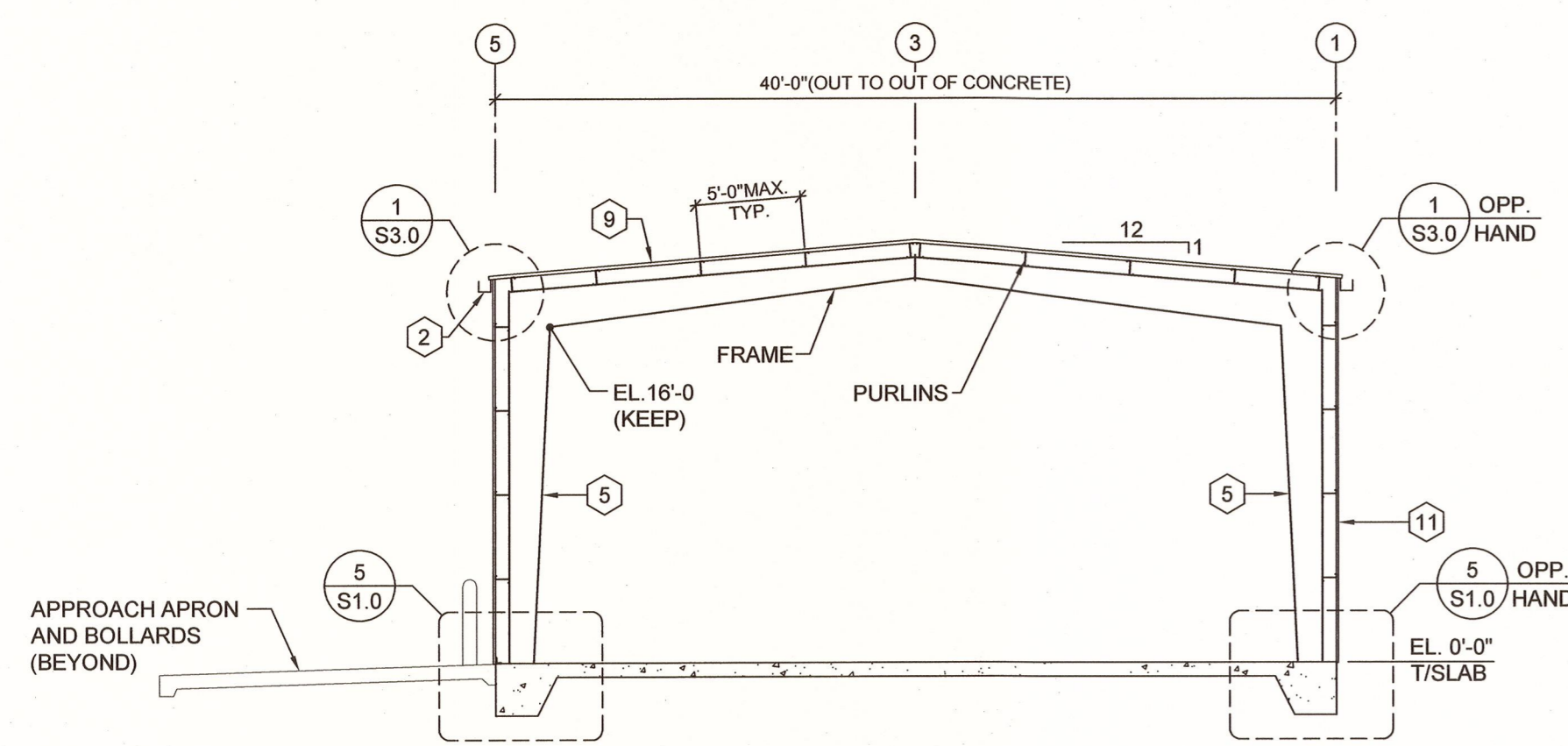
DRAWN BY: S. WHEELER

CHECKED BY: S. FLEMING, PE, RBEC

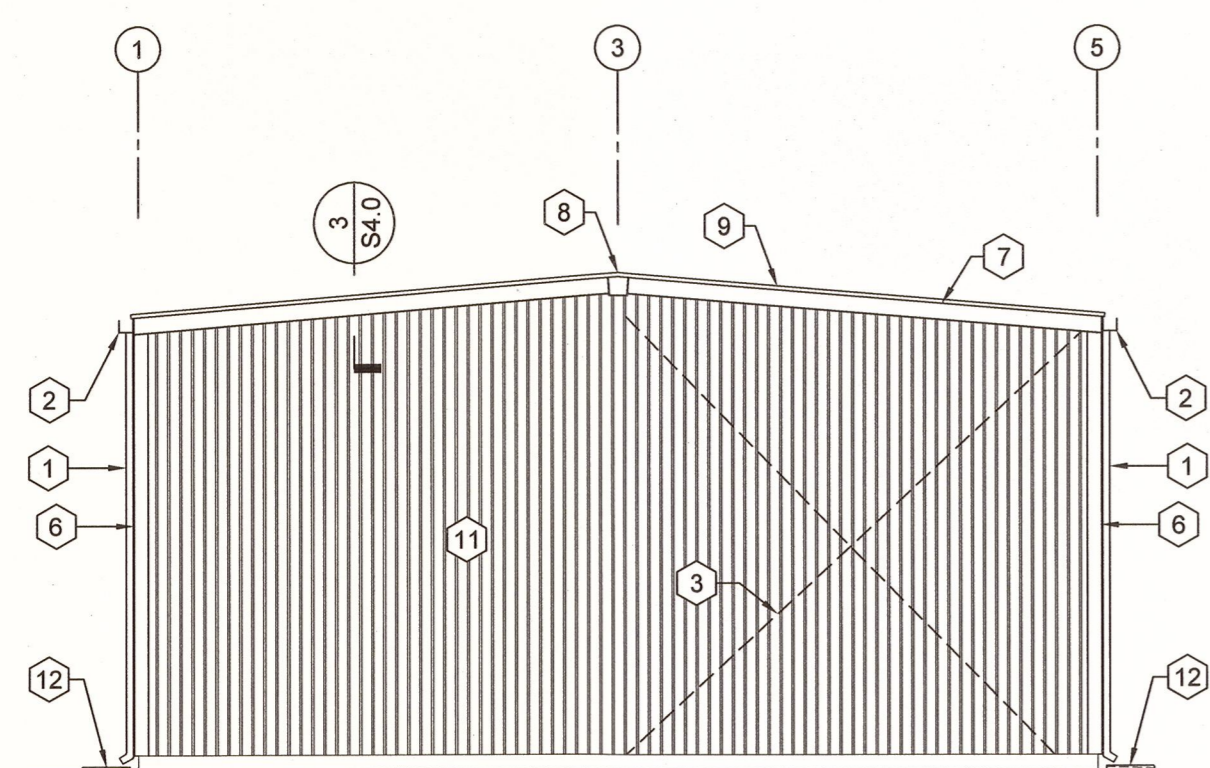
REVISIONS:

NO.	REASON	DATE

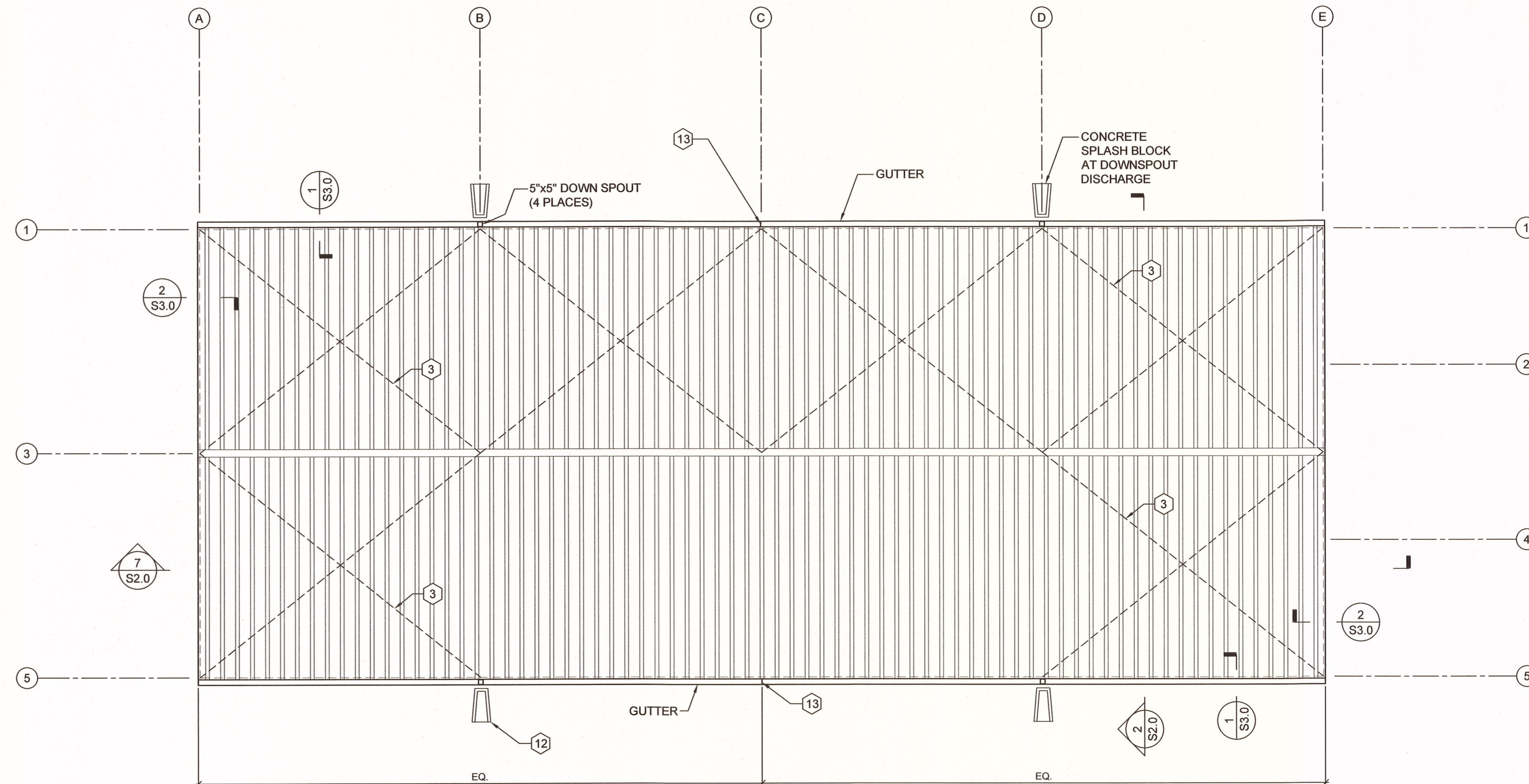




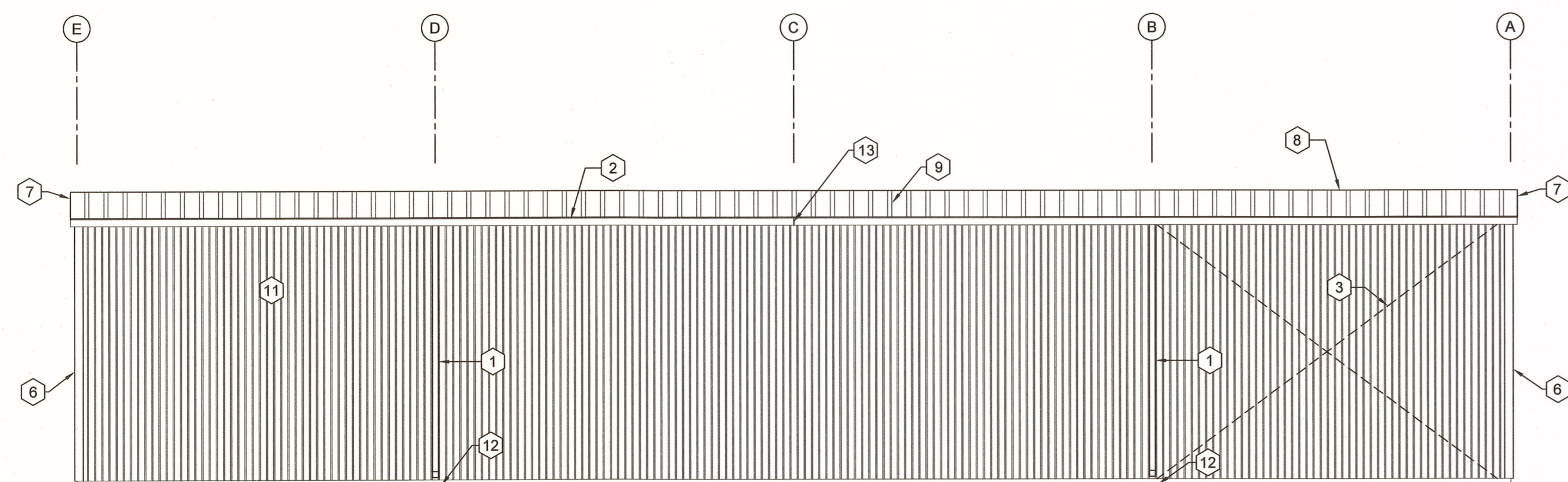
**BUILDING SECTION 2**  
1/8" = 1'-0" S2.0



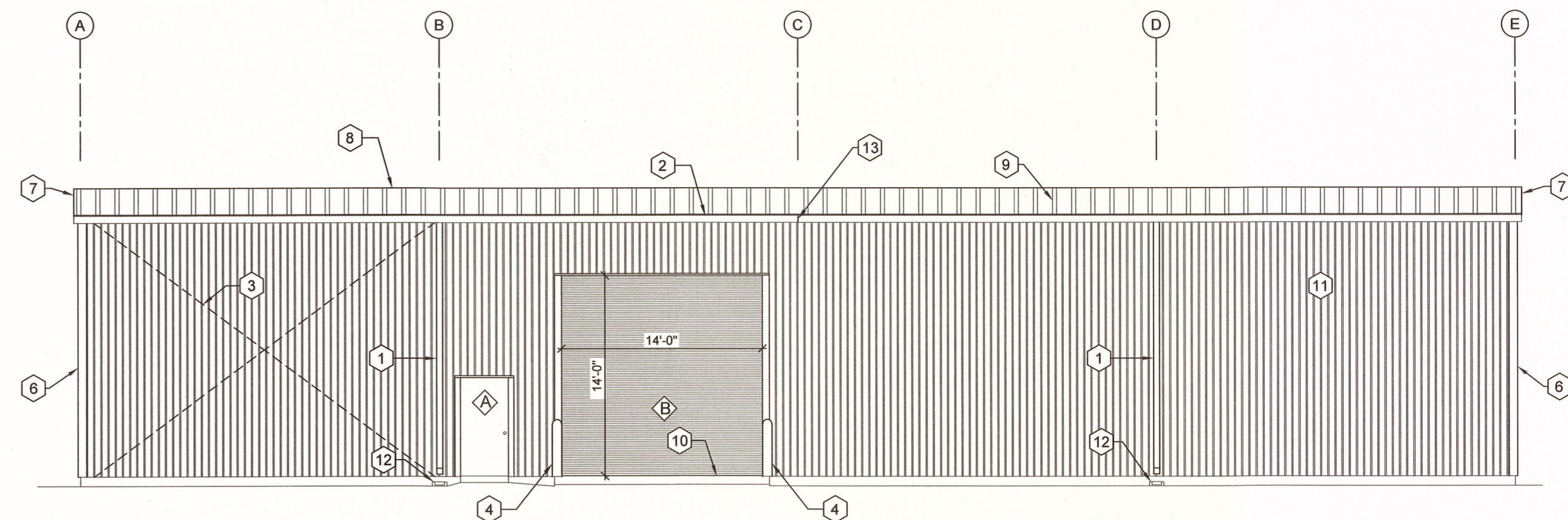
**NORTH ELEVATION 3**  
1/8" = 1'-0" S2.0



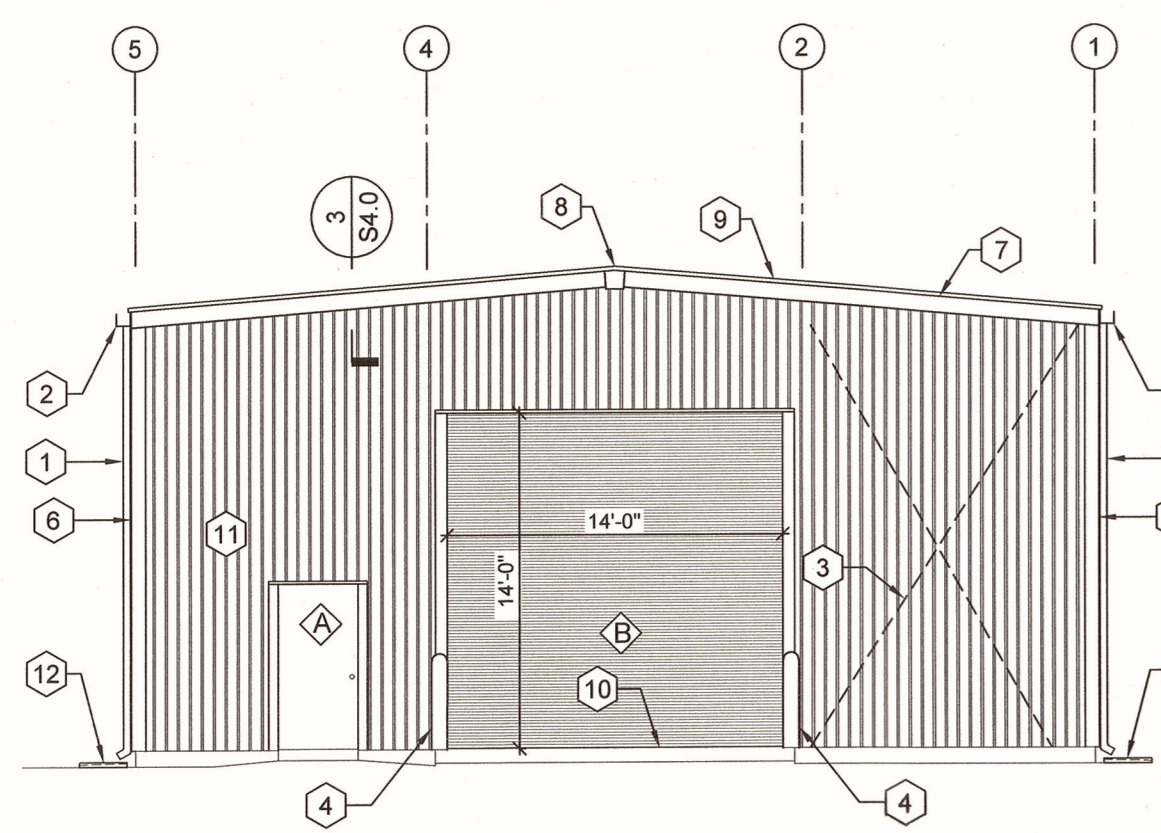
**ROOF PLAN 1**  
1/8" = 1'-0" S2.0



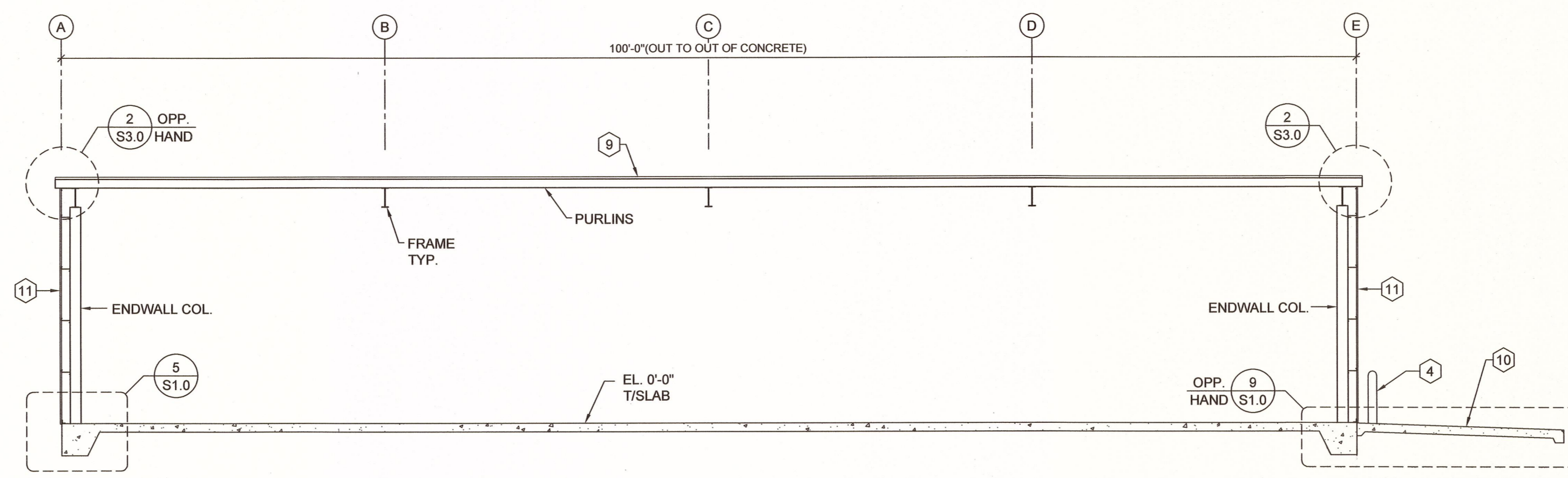
**EAST ELEVATION 4**  
1/8" = 1'-0" S2.0



**WEST ELEVATION 5**  
1/8" = 1'-0" S2.0



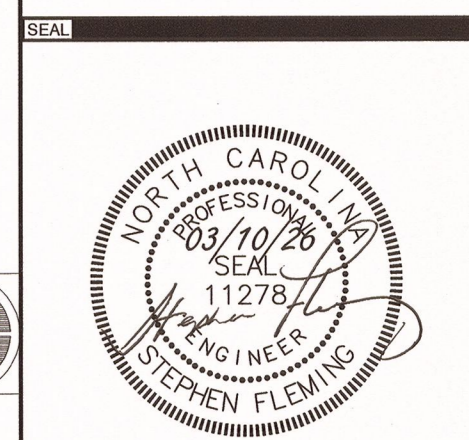
**SOUTH ELEVATION 6**  
1/8" = 1'-0" S2.0



**BUILDING SECTION 7**  
1/8" = 1'-0" S2.0

TYPE	DESCRIPTION
1	5"x5" DOWNSPOUT (TYP.) SEE ROOF PLAN 1/S2.0.
2	6" WIDE x 5" DEEP GUTTER. SEE DETAIL 1/S3.0.
3	ROD X-BRACING
4	BOLLARD (TYP.). SEE SECTION 8/S1.0.
5	FRAME COLUMN
6	OUTSIDE CORNER TRIM (TYP.). SEE DETAIL 10/S1.0.
7	RAKE TRIM. SEE DETAIL 2/S3.0.
8	RIDGE VENT. SEE DETAIL 3/S3.0.
9	TRAPEZOID ROOF PANELS (TYP.)
10	16"-0x16"-0x8" THICK CONCRETE APPROACH APRON
11	METAL WALL PANELS
12	CONCRETE SPLASH BLOCK
13	GUTTER EXPANSION JOINT

**KEYED NOTES 8**  
N.T.S. S2.0



PROJECT NAME  
**FAYETTEVILLE PUBLIC WORKS COMMISSION  
SUBSTATION EQUIPMENT SHED BUILDING**

955 OLD WILMINGTON ROAD  
FAYETTEVILLE, NORTH CAROLINA 28301

PROJECT TEAM  
DESIGNED BY: **S. FLEMING, PE, RBEC**  
DRAWN BY: **S. WHEELER**  
CHECKED BY: **S. FLEMING, PE, RBEC**

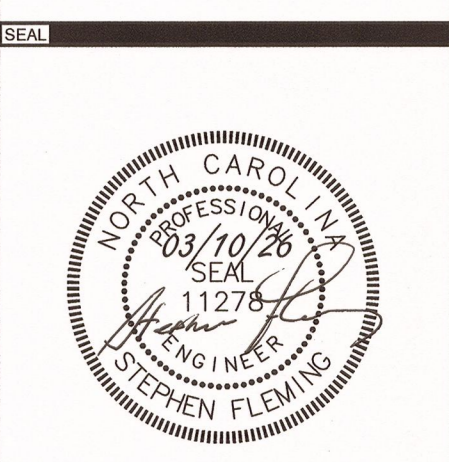
NO.	REASON	DATE

SHEET TITLE

**ROOF PLAN,  
BUILDING  
SECTIONS,  
AND  
ELEVATIONS.**

DATE: 03/10/2026  
PROJECT NO: 25-68  
SHEET NUMBER: **S2.0**

This drawing and the design shown are the property of Fleming and Associates, P.A. The reproduction, copying or other use of this drawing without their written consent is prohibited and any infringement will be subject to legal action.  
 © Fleming 2025

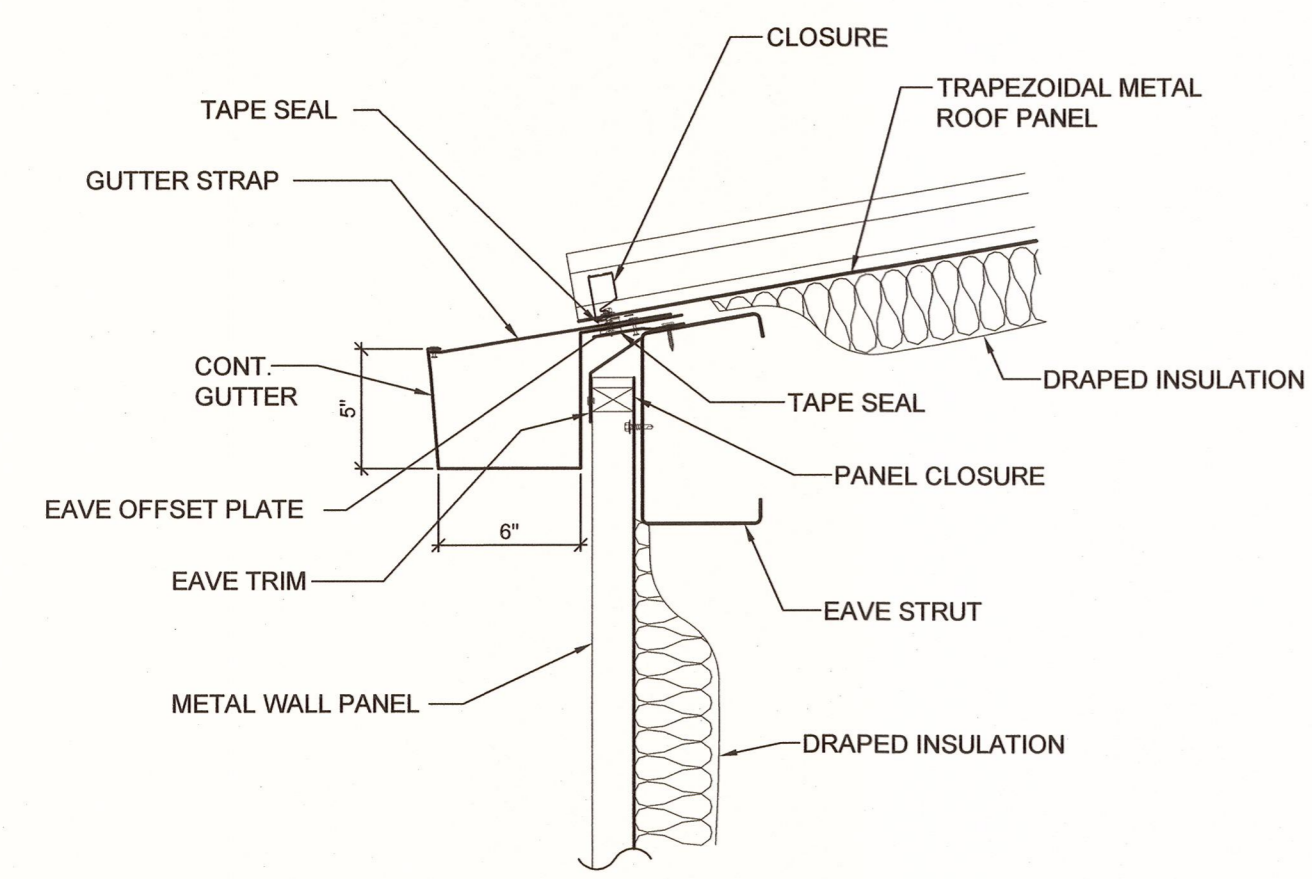


PROJECT NAME  
**FAYETTEVILLE PUBLIC WORKS COMMISSION**  
**SUBSTATION EQUIPMENT SHED BUILDING**  
 955 OLD WILMINGTON ROAD  
 FAYETTEVILLE, NORTH CAROLINA 28301

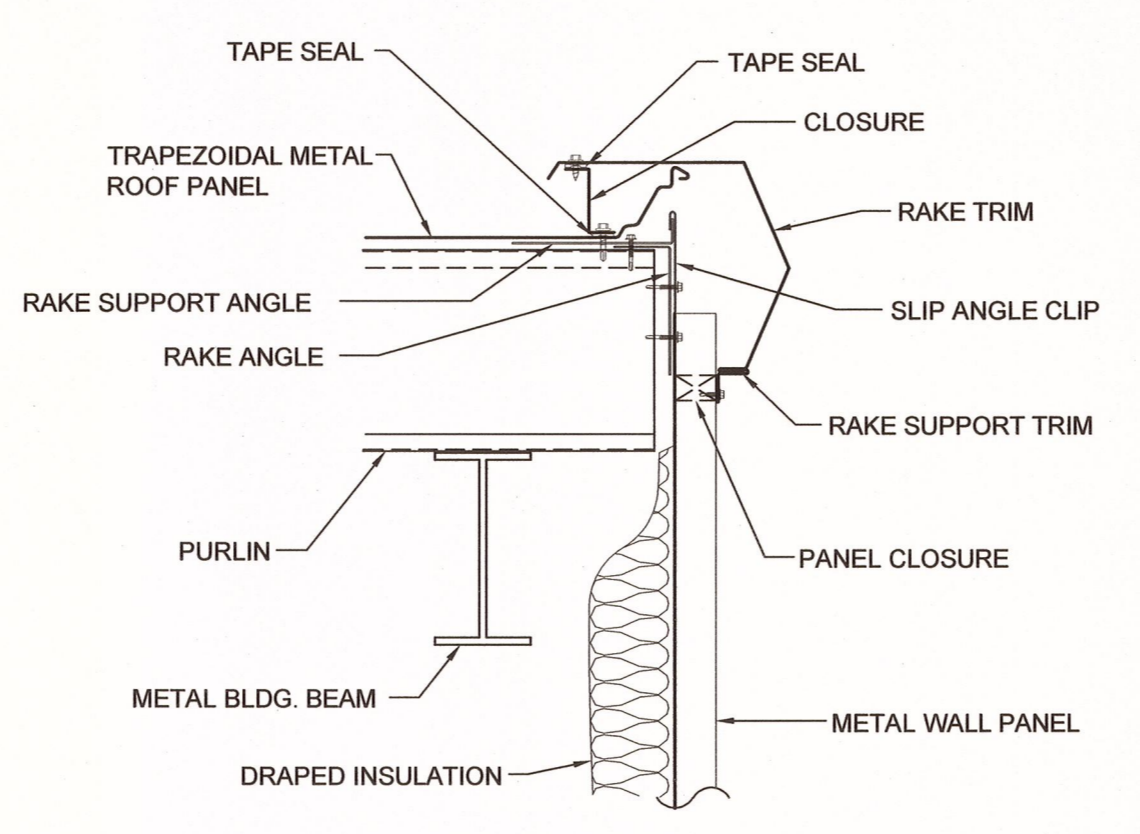
DESIGNED BY:  
**S. FLEMING, PE, RBEC**  
 DRAWN BY:  
**S. WHEELER**  
 CHECKED BY:  
**S. FLEMING, PE, RBEC**

NO.	REASON	DATE

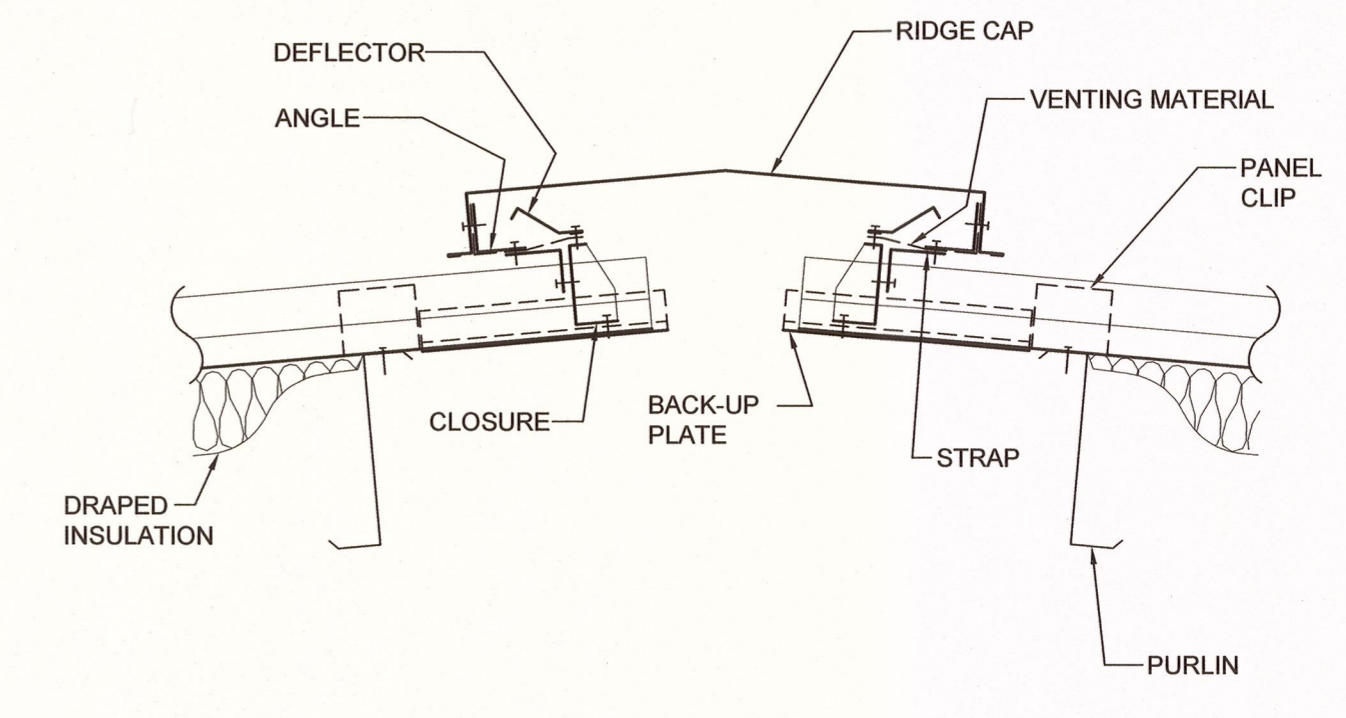
**ROOF SECTIONS, DOOR DETAILS, AND DOOR SCHEDULE**



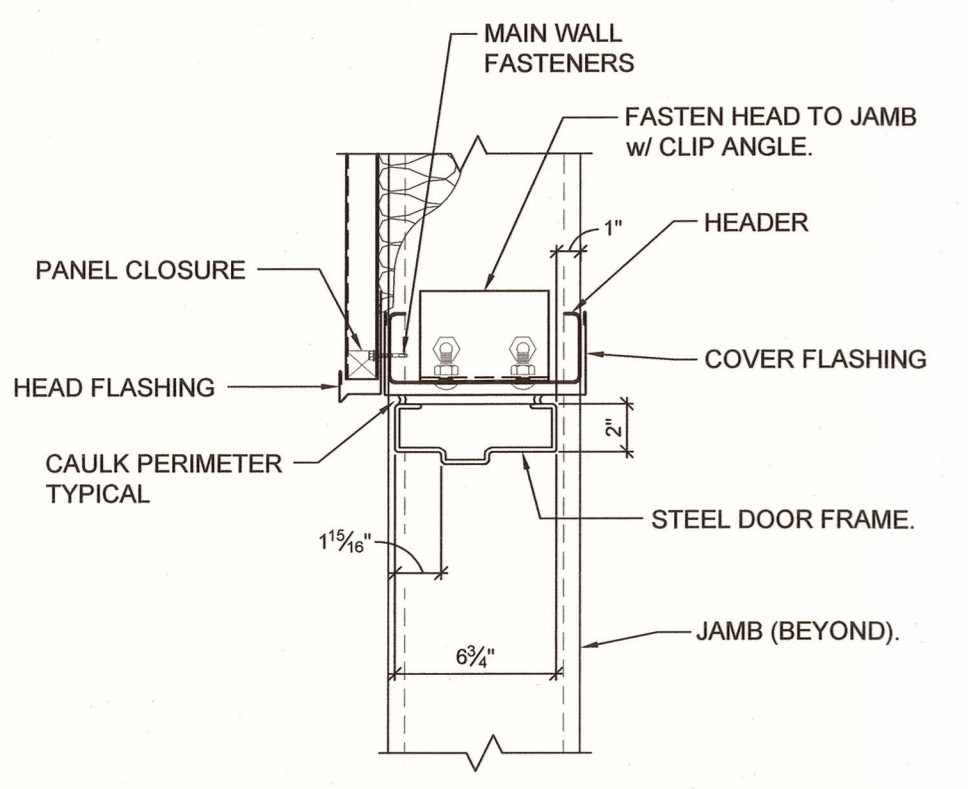
**GUTTER DETAIL 1**  
 1 1/2" = 1'-0" S3.0



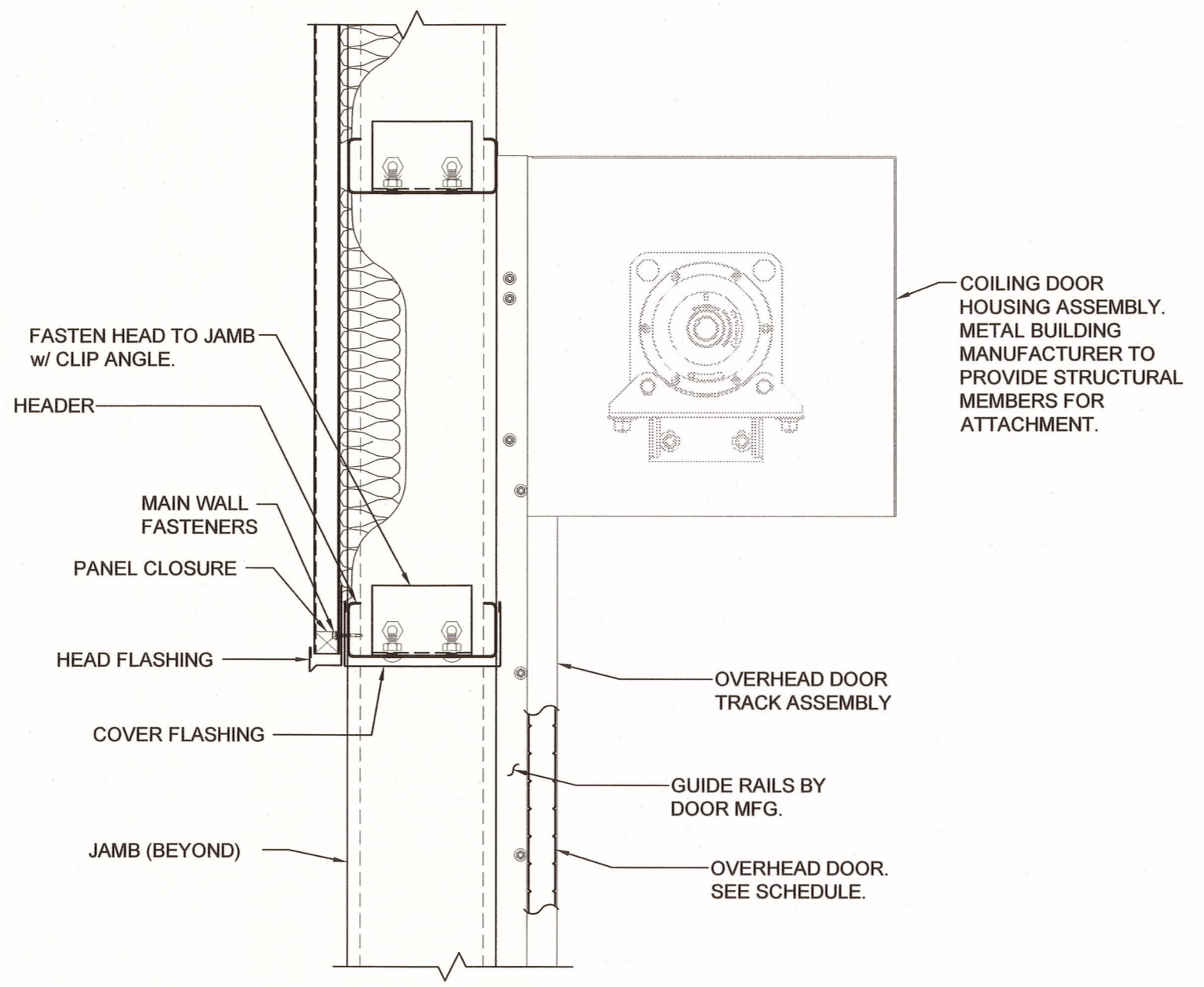
**RAKE DETAIL 2**  
 1 1/2" = 1'-0" S3.0



**SECTION AT RIDGE 3**  
 1 1/2" = 1'-0" S3.0



**DOOR HEAD H1 4**  
 NO SCALE S3.0

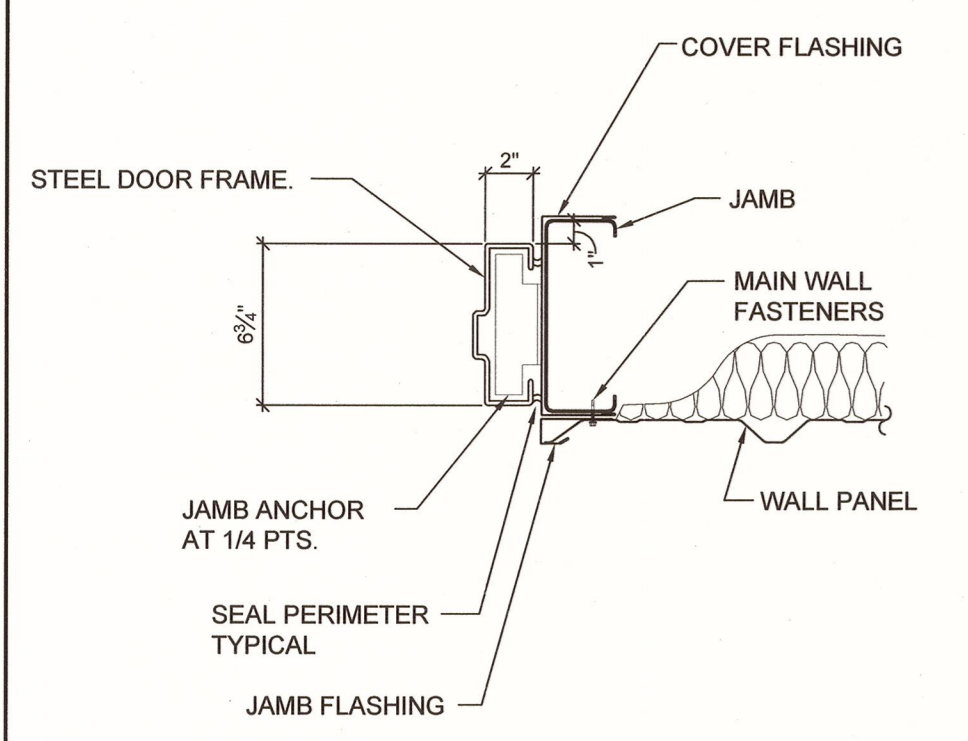


**DOOR HEAD H2 5**  
 NO SCALE S3.0

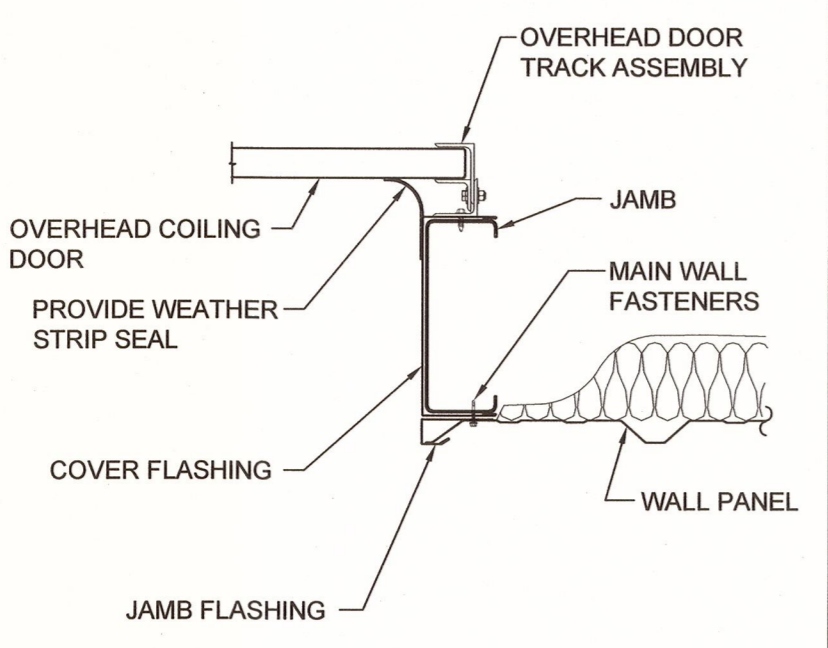
DOOR TYPE	DOOR				FRAME DETAILS			FIRE RATING	HARDWARE SET NUMBER	REMARKS
	SIZE	THICKNESS	MATERIAL	GLAZING	HEAD DETAIL	JAMB DETAIL	SILL DETAIL			
	DOOR SIZE	THICKNESS	MATERIAL	GLAZING	HEAD DETAIL	JAMB DETAIL	SILL DETAIL			
A	3'-0x7'-0	1 3/4"	STL	N/A	H1 4/S3.0	J1 7/S3.0	S1 9/S3.0	N/A	CONSULT OWNER	STEEL BEARING TYPE HINGES, AUTO LATCHING DEVICE TO ENGAGE STRIKE, PANIC HARDWARE, AUTOMATIC CLOSURE DEVICE, MORTISE LOCK, AND ASTRAGAL
B	14'-0x14'-0		ALUM.	N/A	H2 5/S3.0	J2 8/S3.0	S2 10/S3.0	N/A		OVERHEAD COILING OR ROLLING DOOR WITH ELECTRIC DOOR OPENING.

DOOR NOTES:  
 1. ALL EXTERIOR DOORS WILL BE ZINC COATED STEEL. PROVIDE 2 COATINGS OF EXTERIOR GRADE ENAMEL PAINT. CONSULT OWNER FOR COLOR.  
 2. ALL STEEL DOOR AND FRAMES WILL BE PERFORMANCE LEVEL 3 (HEAVY DUTY).  
 3. PROVIDE WATER TIGHT WEATHER SEALS OR GASKETS AND RAIN GUARDS ON ALL EXTERIOR DOORS.  
 4. ALL DOORS ARE FLUSH FACE.

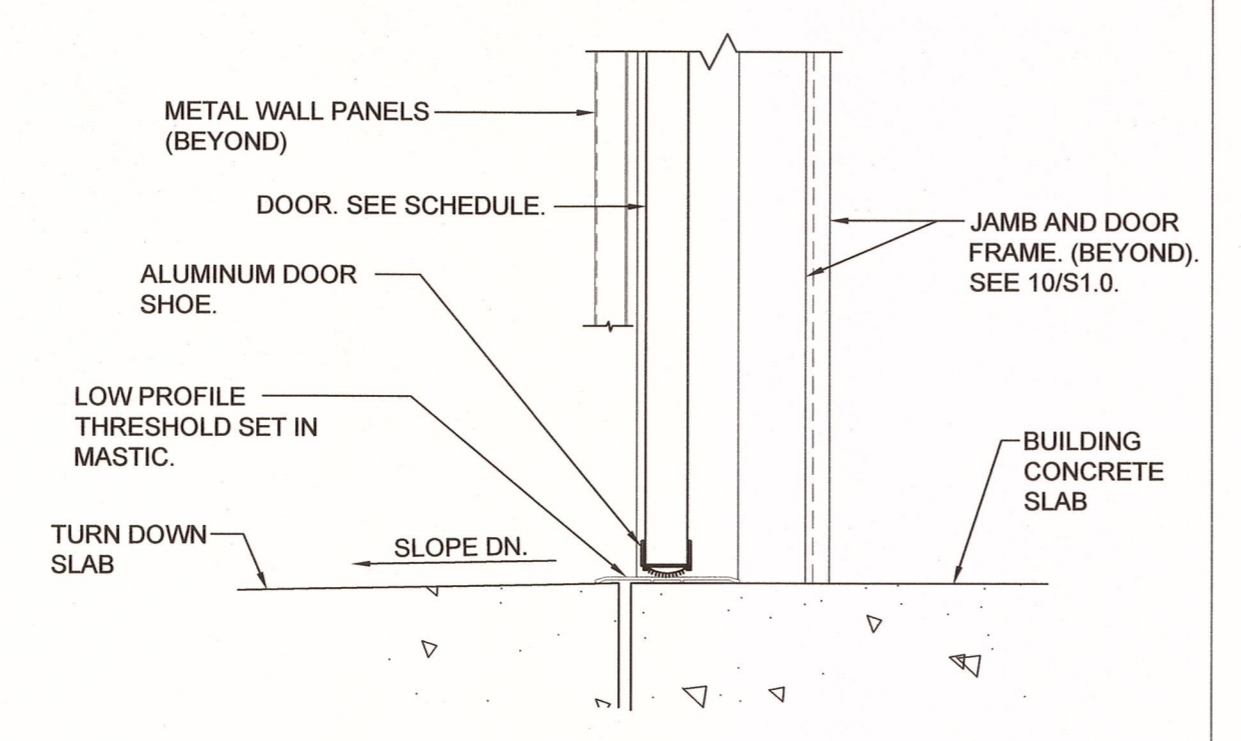
**DOOR SCHEDULE 6**  
 NO SCALE S3.0



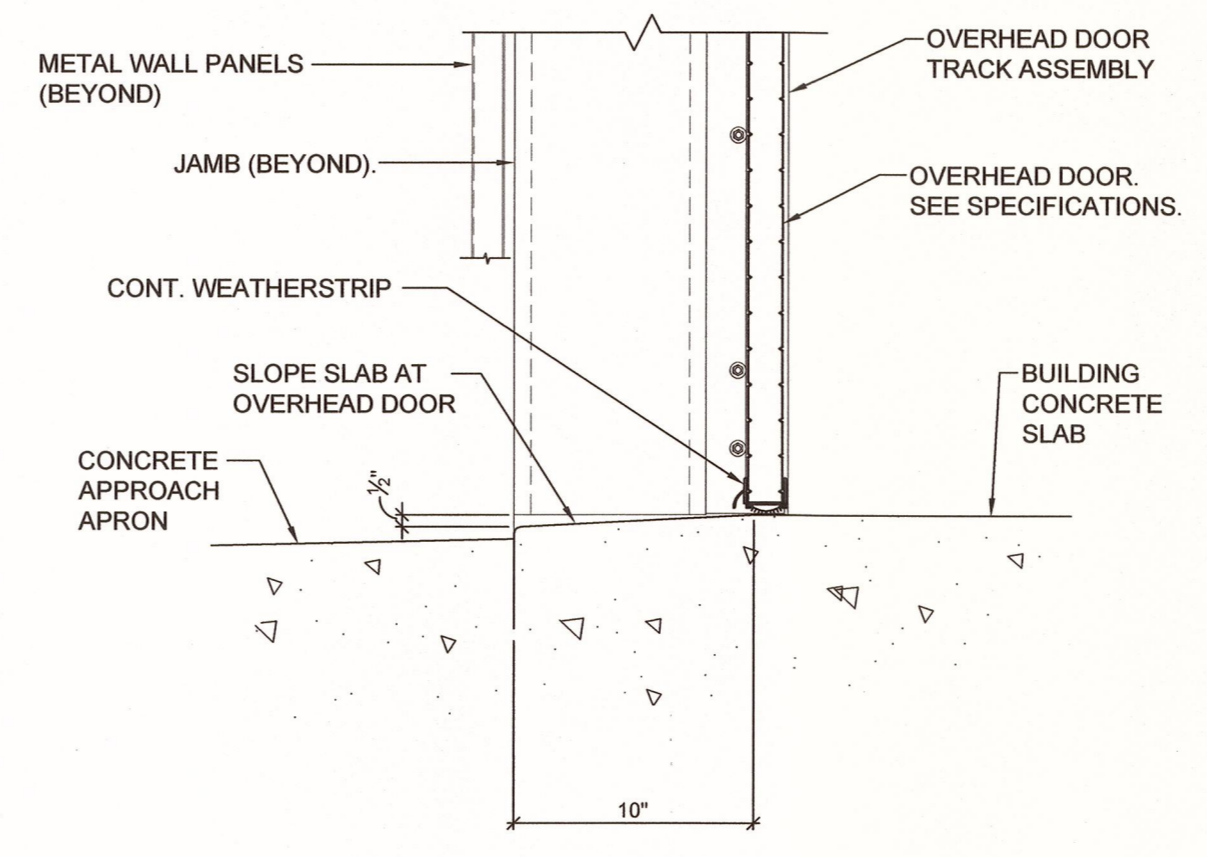
**DOOR JAMB J1 7**  
 NO SCALE S3.0



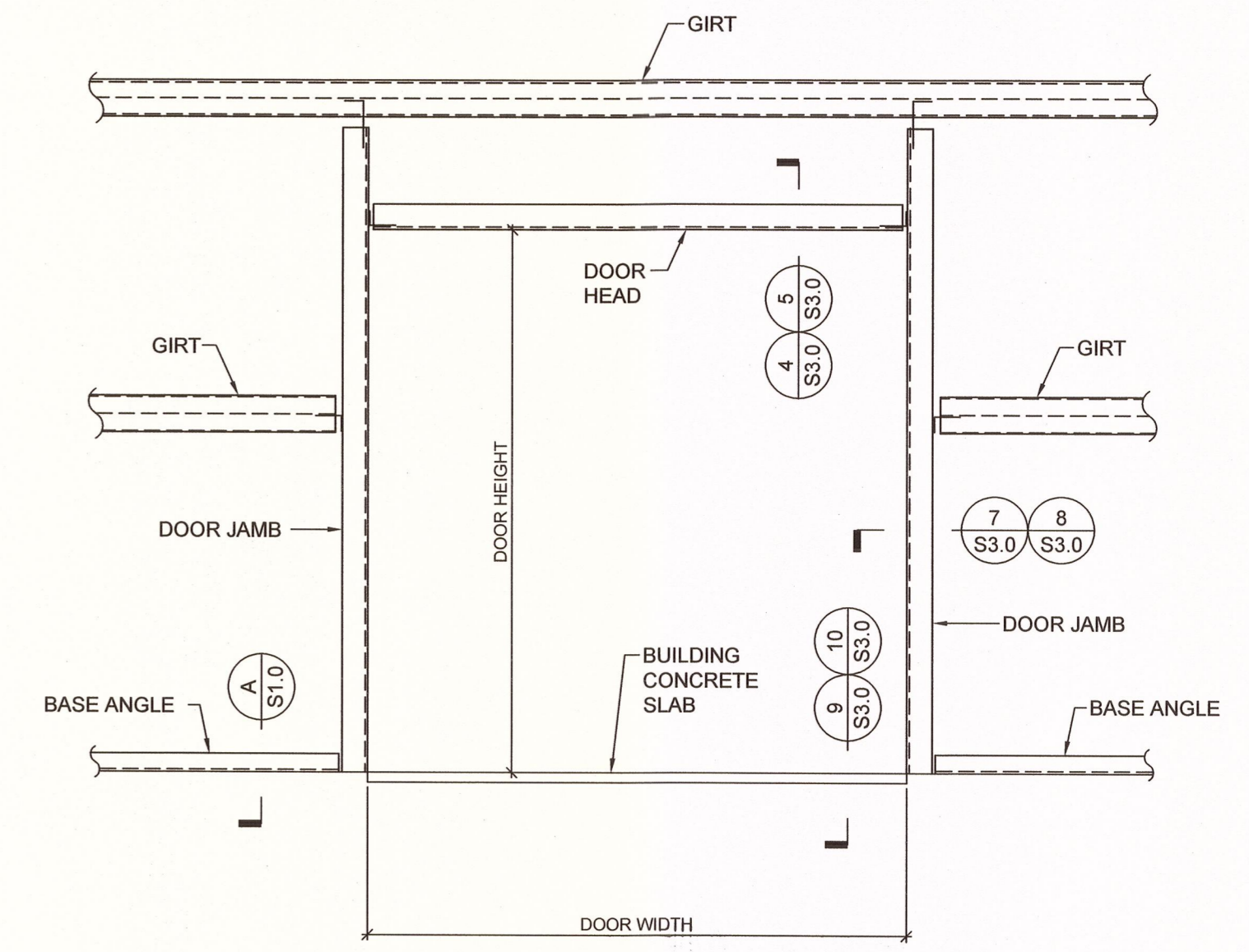
**DOOR JAMB J2 8**  
 NO SCALE S3.0



**DOOR SILL S1 9**  
 NO SCALE S3.0



**DOOR SILL S2 10**  
 NO SCALE S3.0



**TYPICAL WALL OPENING FRAMING 11**  
 NO SCALE S3.0



